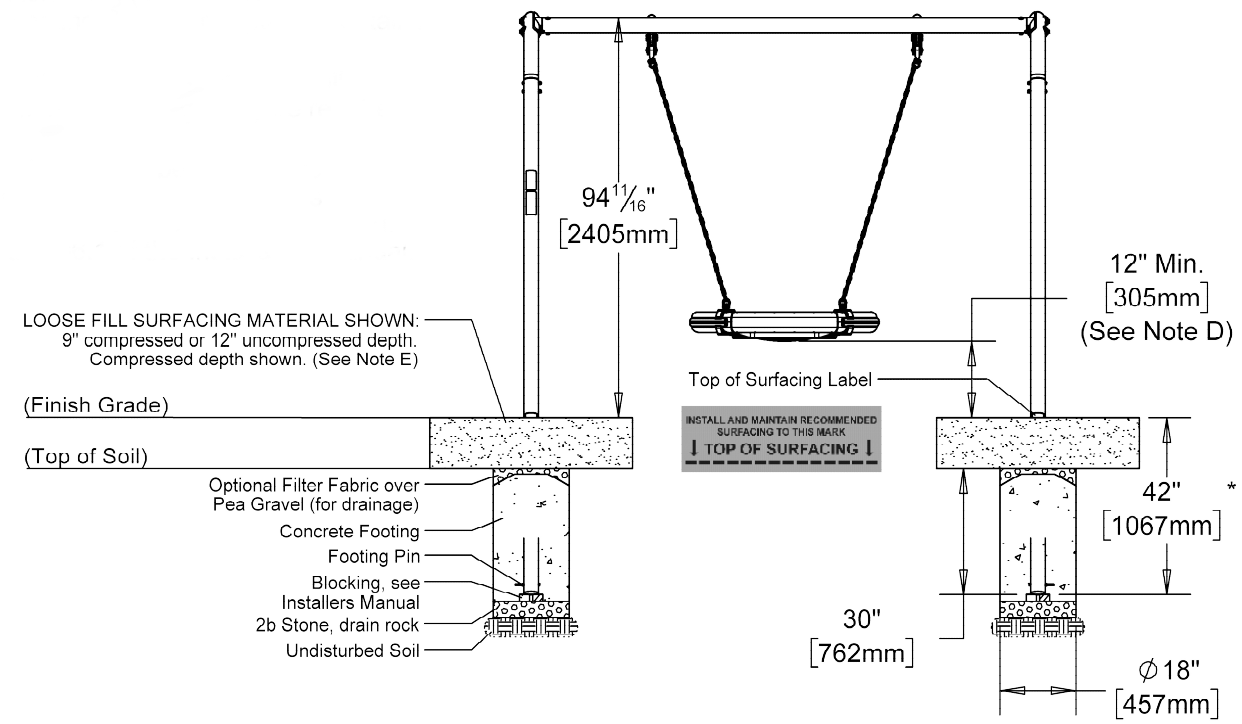


Footing Detail



Specifications

DISC SWING ARCH:
Shall be fabricated using 3.5" O.D. 11 gauge steel tubing with welded 3.5" O.D. X 2.75" I.D. steel Couplers. The Disc Swing Arch shall have a multi-stage baked on powder coat finish.

DISC SWING BEAM:
Shall be fabricated using 3.5" O.D. 11 gauge steel tubing with welded 2.375" O.D. 10 gauge cross members and 1/2" thick steel plates. The Disc Swing Beam shall have a multi-stage baked-on powder coat finish.

DISC SWING LEG:
Shall be fabricated using 3.5" O.D. 11 gauge steel. The Disc Swing Leg shall have a multi-stage baked-on powder coat finish.

DISC SWING SEAT:
Shall be constructed of UV-stabilized, rotationally molded, linear, low density polyethylene with an average wall thickness of .250"

DISC SWING SEAT BUMPER:
Shall be constructed of rotationally molded vinyl with an average wall thickness of .250"

DISC SWING SWIVEL PLATE & SWIVEL PLATE SPACER:
Shall be precision cut from 3/8" thick stainless steel.

DISC SWING CHAIN:
Shall be 7mm (1/4") PC Grade 30 chain with a silver shield cold galvanized finish.

ARCH SWING CASTING & WASHER:
Shall be cast from a high-strength aluminum alloy. The Arch Swing Casting and Washer shall have a multi-stage baked-on powder coat finish.

ROTO FERRULE PLUG:
Shall be machined from high strength aluminum.

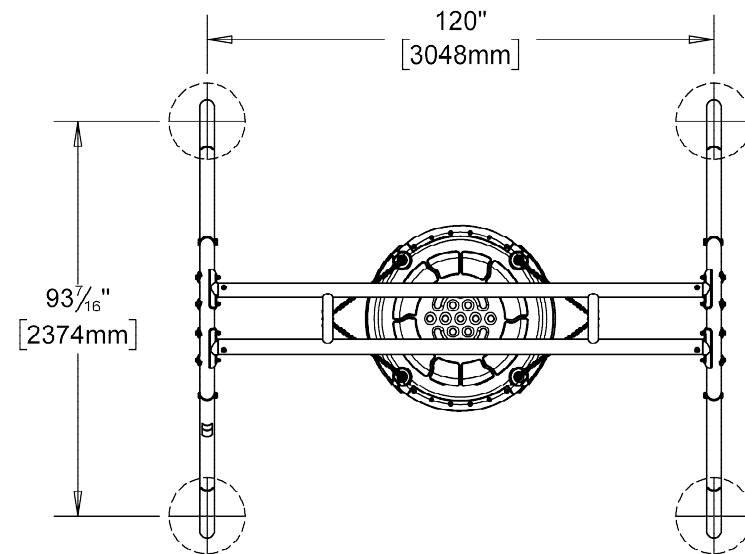
ROTO FERRULE CHAIN TAB, SWING SHAFT & DISC SWING HANGER:
Shall be machined from stainless steel.

HARDWARE:
Shall be stainless steel, zinc/nickel plated or galvanized as required to resist rust and corrosion



Double Disc Swing PC 2015

Top View - Footing Layout



LOCATION OF UNDERGROUND STRUCTURES AS SHOWN ARE BASED ON THE BEST INFORMATION AVAILABLE BUT NO GUARANTEE IS GIVEN THAT ALL EXISTING UTILITIES ARE SHOWN OR THAT THE GIVEN LOCATIONS ARE EXACT. CONFIRMATION OF EXISTENCE AND EXACT LOCATION OF ALL SERVICES MUST BE OBTAINED FROM THE INDIVIDUAL UTILITIES BEFORE PROCEEDING WITH CONSTRUCTION.



THE CITY OF WINNIPEG
Planning, Property and Development Dept.
Planning and Land Use Division
15-30 Fort Street, Winnipeg, MB, (R3C 4X5)

DESIGNED BY	CH	CHECKED BY	APPROVED BY
DRAWN BY	CH	RELEASED FOR CONSTRUCTION	
HORIZ. SCALE	1 : 1200		
VERT. SCALE			
DATE	Apr/18	MANAGER, PLANNING AND LAND USE DIVISION	DATE

DRAWING TITLE
SHAMROCK PARK
Proposed Swings - Option 2

CAD DRAWING NO.

DRAWING NO.

S.1-H