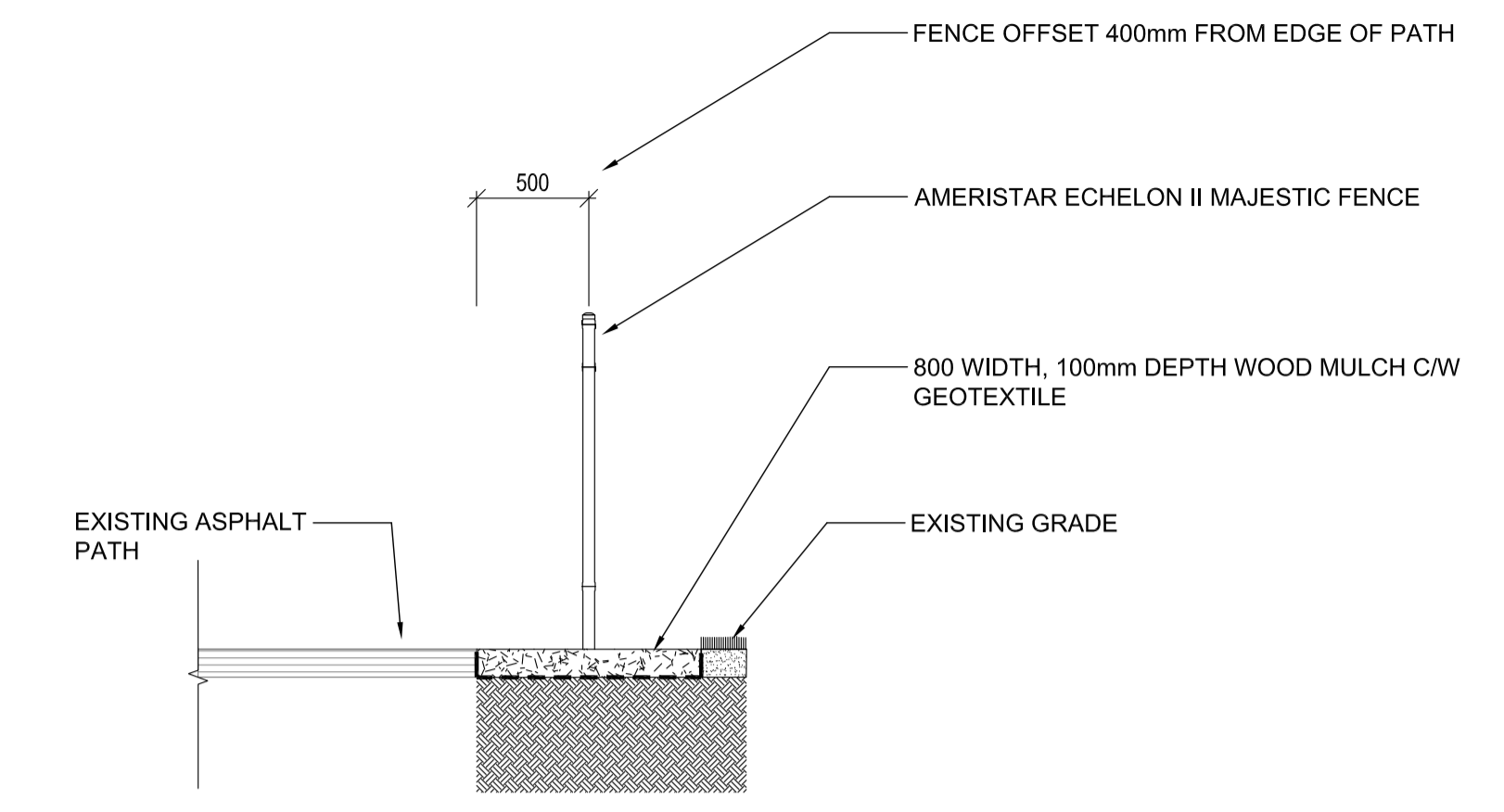
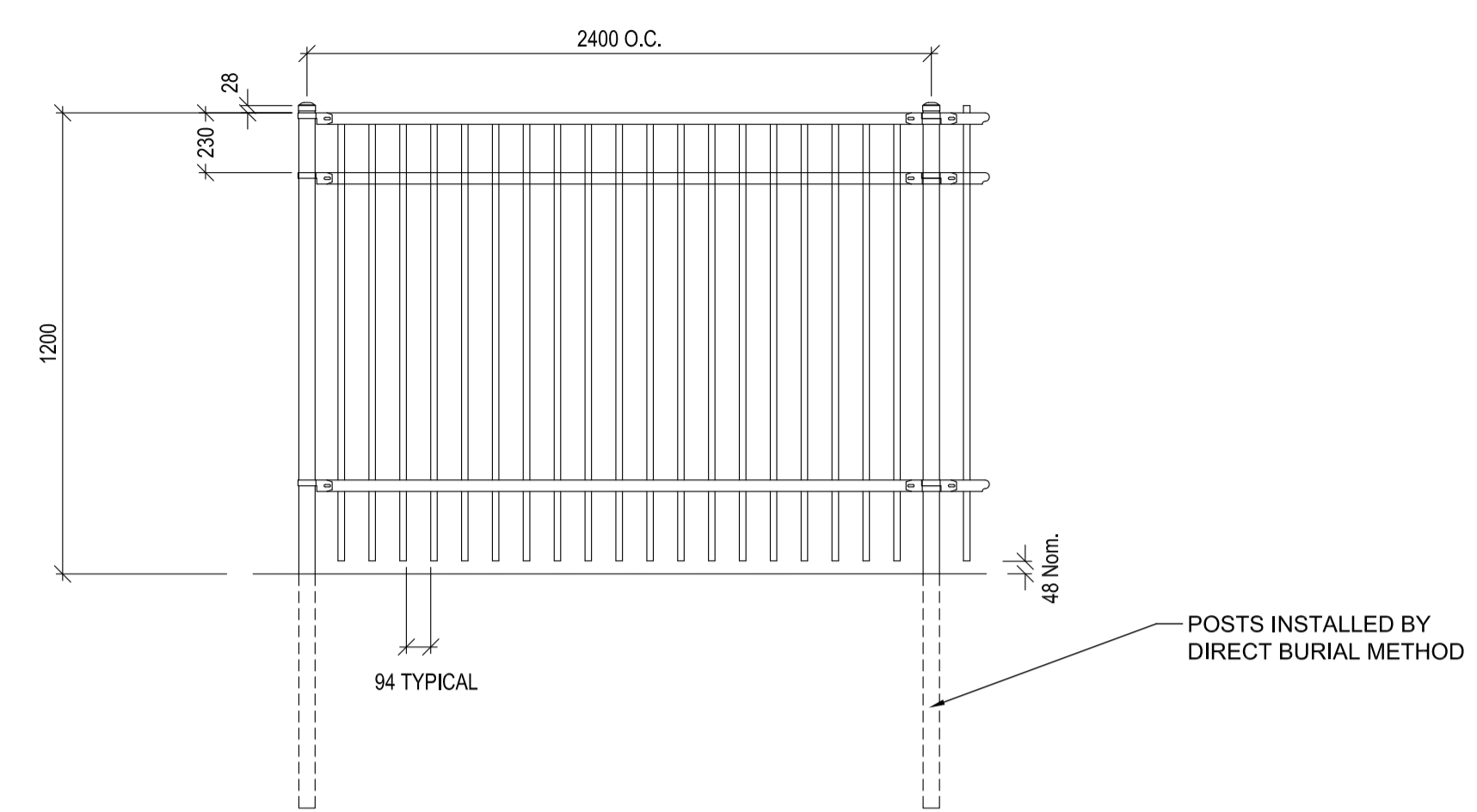
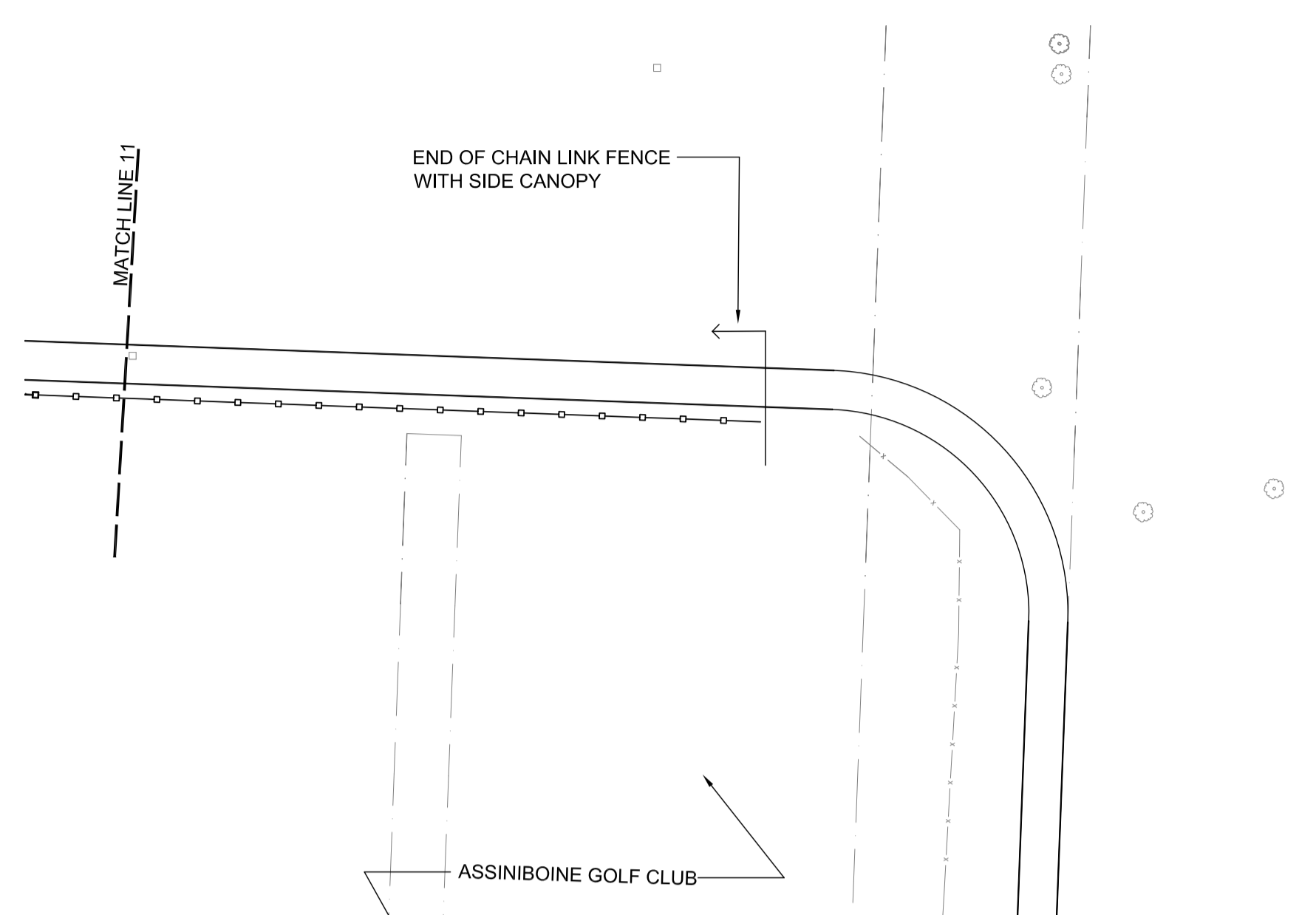
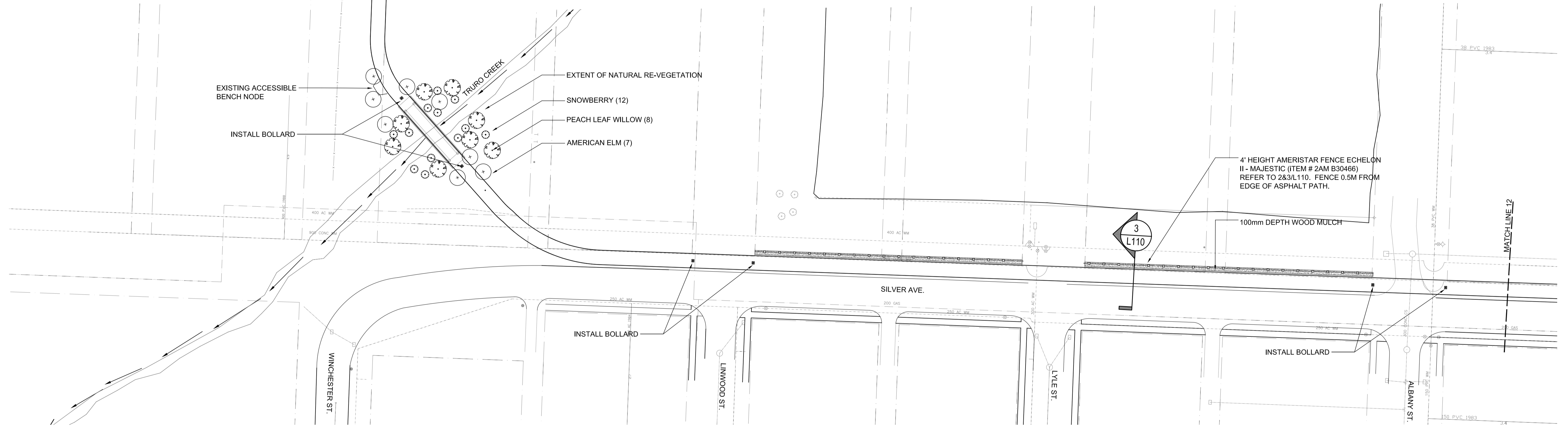


Job No: Super AT 24 x 36
 Scale: 1:1 (Metric)
 CAD File Name: mup-landscape-working.dwg



2 MANUFACTURERS DRAWING OF AMERISTAR ECHELON II MAJESTIC FENCE (FOR REFERENCE ONLY)
 L110 N.T.S.

3 SECTION OF FENCE
 L110 N.T.S.



1 SILVER AVE.
 L110 1:500 @ 24 X 36
 1:1000 @ 11 X 17

NOTES: 1) PLACEMENT OF BOLLARDS, TREES AND BENCH NODES TO BE APPROVED BY CONTRACT ADMINISTRATOR PRIOR TO COMMENCING WORK
 2) LOCATION OF UNDERGROUND STRUCTURES AS SHOWN ARE BASED ON THE BEST INFORMATION AVAILABLE BUT NO GUARANTEE IS GIVEN THAT ALL EXISTING UTILITIES ARE SHOWN OR THAT THE GIVEN LOCATIONS ARE EXACT. CONFIRMATION OF EXISTENCE AND EXACT LOCATION OF ALL SERVICES MUST BE OBTAINED FROM THE INDIVIDUAL UTILITIES BEFORE PROCEEDING WITH CONSTRUCTION.

| REV | YY / MM / DD | DESCRIPTION | BY |
|-----|--------------|-------------------|----|
| R0 | 03/09/2010 | ISSUED FOR TENDER | |



CLIENT
THE CITY OF WINNIPEG
 PUBLIC WORKS DEPARTMENT
 TRANSPORTATION ENGINEERING DIVISION

DESIGN
SCATLIFF + MILLER + MURRAY Inc.
 TEL: 204.927-3444 FAX: 204.927-3443
 9-136 MARKET AVENUE WINNIPEG, MB, CANADA

| | | | |
|--|----------|------------------|-------------|
| PROJECT 2010 ACTIVE TRANSPORTATION INFRASTRUCTURE STIMULUS PROGRAM | | | |
| TITLE SILVER AVE. MATCH LINE 11 TO MATCH LINE 12 | | | |
| DESIGN | DRAWN | DATE - Y / M / D | SCALE |
| BS/MB | MB | 2010/09/03 | AS NOTED |
| CHECKED | APPROVED | PROJECT NO. | DRAWING NO. |
| BS | BS | 9061 | L110 |