

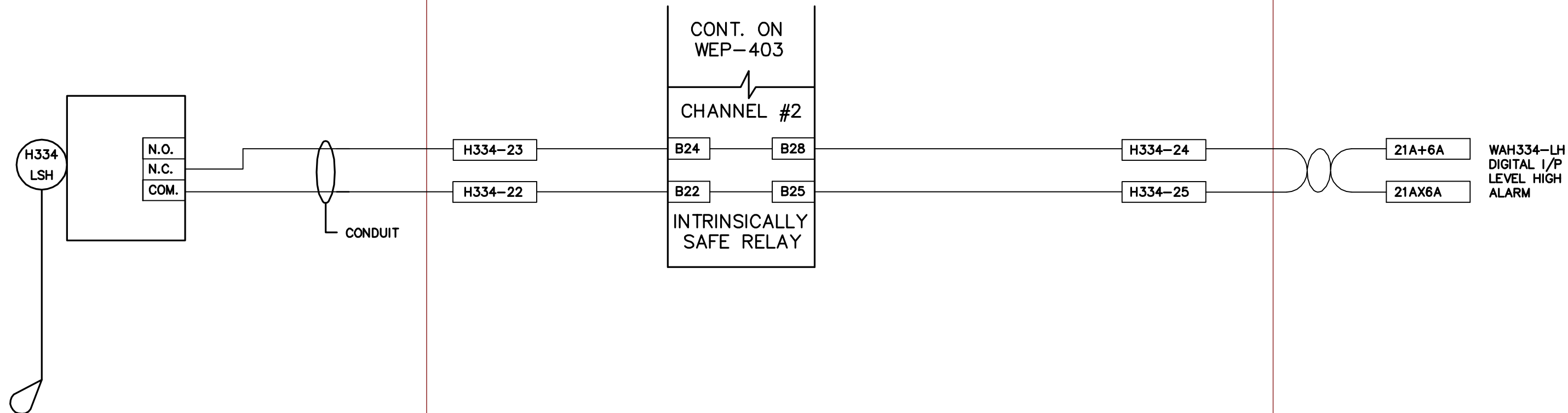
INSTRUMENT LOOP DIAGRAM

LOOP NO. - H334

FIELD

FIELD DEVICE PANEL

D.C.S.



ILD-TYP18
422-H334

BAILEY TERMINAL NUMBERING

TYPICAL TERMINAL NUMBER → 4 1 A + 7 A

CABINET NUMBER (0-9) _____
 ROW NUMBER (1-10) _____
 ZONE IDENTIFIER (A/A1 - D/D1) _____
 TERMINAL IDENTIFIER _____

Reid
Crowther

OCT./93	AS BUILT	
DATE	REVISION	APP.



THE CITY OF WINNIPEG
 WORKS AND OPERATIONS DIVISION
 WATERWORKS, WASTE AND DISPOSAL DEPT.
 WEST END WATER POLLUTION CONTROL CENTRE

HEADWORKS - DEWATERING CONVEYOR #1
 LEVEL SWITCH WAH334

SCALE N.T.S.
 DATE MAY 1991
 DES JVH DWN GGB
 CKD BL APP _____

DRAWING NO.
 WEP-422