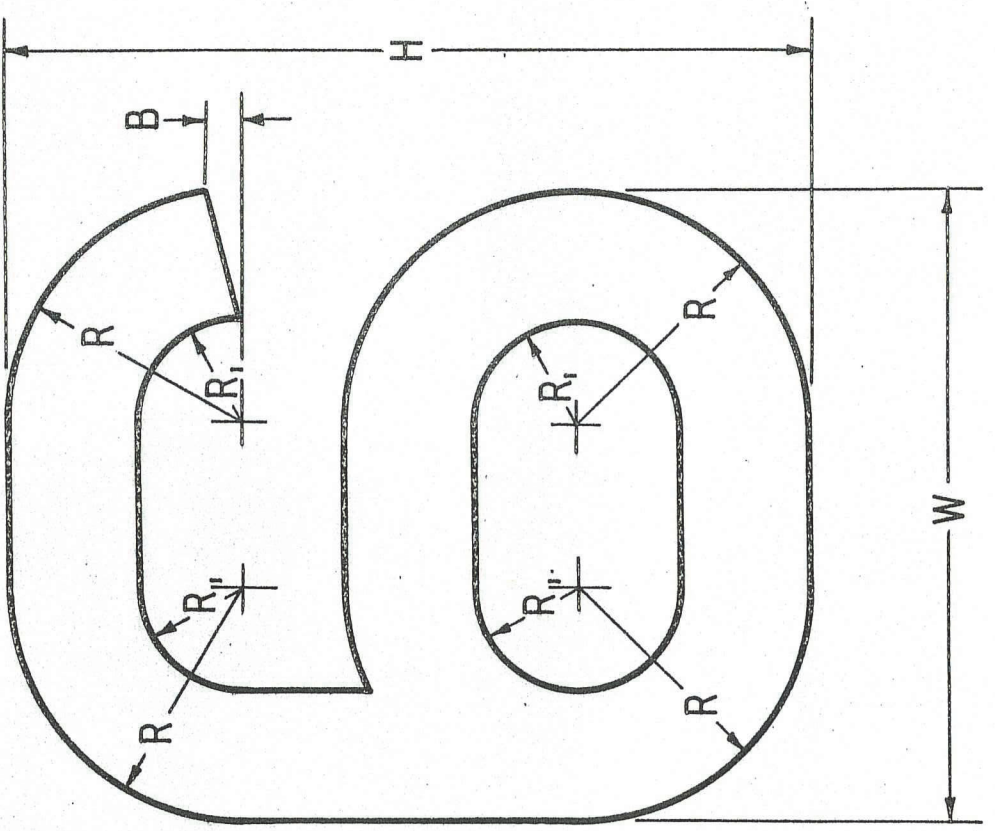


REPORT ALL ERRORS TO D.O.

SYM.	REVISIONS	CKD	DATE	APPD
E	REDRAWN - NO CHANGE	[Signature]	25 APR 62	[Signature]
F	8 IN. HIGH NUMERAL ADDED AUTH. DAE 5719 13 JUN 63	NJM	3 JUN 63	SEM
G	10 IN. HIGH NUMERAL ADDED R.F.	R.F.	1 OCT 63	NJM

H	W	S	R	R ₁	A	B	C
3	8	19/64	7/64	3/64	-	1/64	-
1	2	19/32	7/32	3/32	-	1/32	-
1	1 1/4	1 3/16	7/16	3/16	-	1/16	-
2							
3							
4	3 1/4	1 1/4	1 1/4	1/2	-	1/64	-
6	4 3/4	1 3/4	3/4	3/4	-	1/4	-
8	6 1/2	2 1/2	1 1/2	1	-	1/32	-
10	7 3/4	2 3/4	1 3/4	1 1/2	-	1/32	-
12	9 1/2	3 1/2	2 1/2	2	-	1/2	-
18	14 1/4	5 1/4	2 1/4	3	-	3/4	-
24	19	7	3	3	-	1	-
30	23 3/4	8 3/4	3 3/4	3 3/4	-	1 1/4	-
48	38	14	6	6	-	2	-



REF. DRAWING CHECK LIST-357795.

ITEM	DRAWING NO.	PART NO.	RCAP STOCK NO.	NAME	L.H.	R.H.	NO. RECD	SIZE AND DESCRIPTION	SPECIFICATION
AIRCRAFT MARKINGS					MATERIAL				
NUMERAL					REV.				
" 6 "					NEXT ASY				
DRAWING NO. 357826					REV.				
DEPARTMENT OF NATIONAL DEFENCE					SHEET 1 OF 1				
ROYAL CANADIAN AIR FORCE					SHEETS				