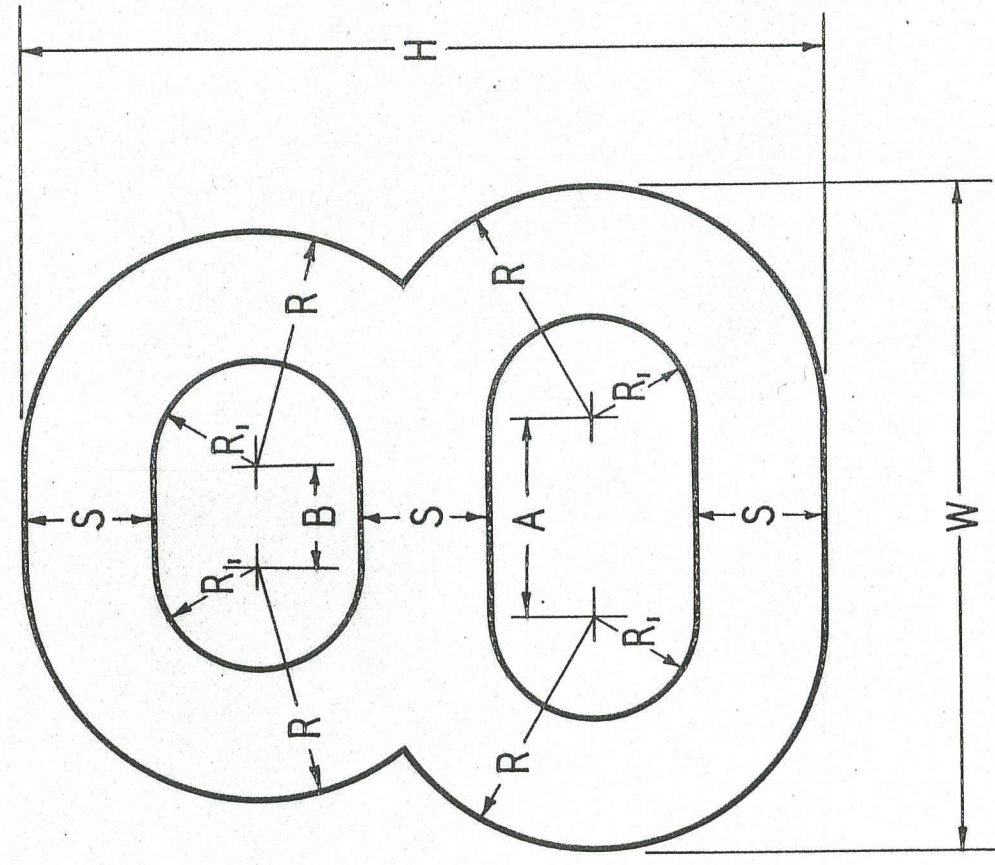


REPORT ALL ERRORS TO D.O.

SYM.	REVISIONS	CHKD	DATE	APPD
D	REDRAWN - NO CHANGE	[Signature]	25 APR 62	[Signature]
E	8 IN. HIGH NUMERAL ADDED AUTH. DAE 5119 13 JUN 63	WMM	25 APR 63	ESB/MP/9
F	10 IN. HIGH NUMERAL ADDED	RAT	1 OCT 63	[Signature]

H	W	S	R	R _i	A	B	C
3	5	1	7	3	3	3	
	16	16	64	64	32	64	
1	5	1	7	3	3	3	
	8	8	32	16	16	32	
1	1						
	14						
1	1	1	7	3	3	3	
	14	4	16	16	8	16	
2							
3							
4	3	4	11	1	1	1	
	64	64	164	2	2	2	
6	5	1	13	3	1	3	
			4	1	1	4	
8	6	1	2	1	2	1	
	32	32	232	1	1	1	
10	8	1	7	1	2	1	
	14	8	28	14	2	14	
12	10	2	3	1	3	1	
			12	1	3	12	
18	15	3	5	2	4	2	
			4	2	4	2	
24	20	4	7	3	6	3	
30	25	5	8	3	7	3	
			4	3	7	3	
48	40	8	14	6	12	6	



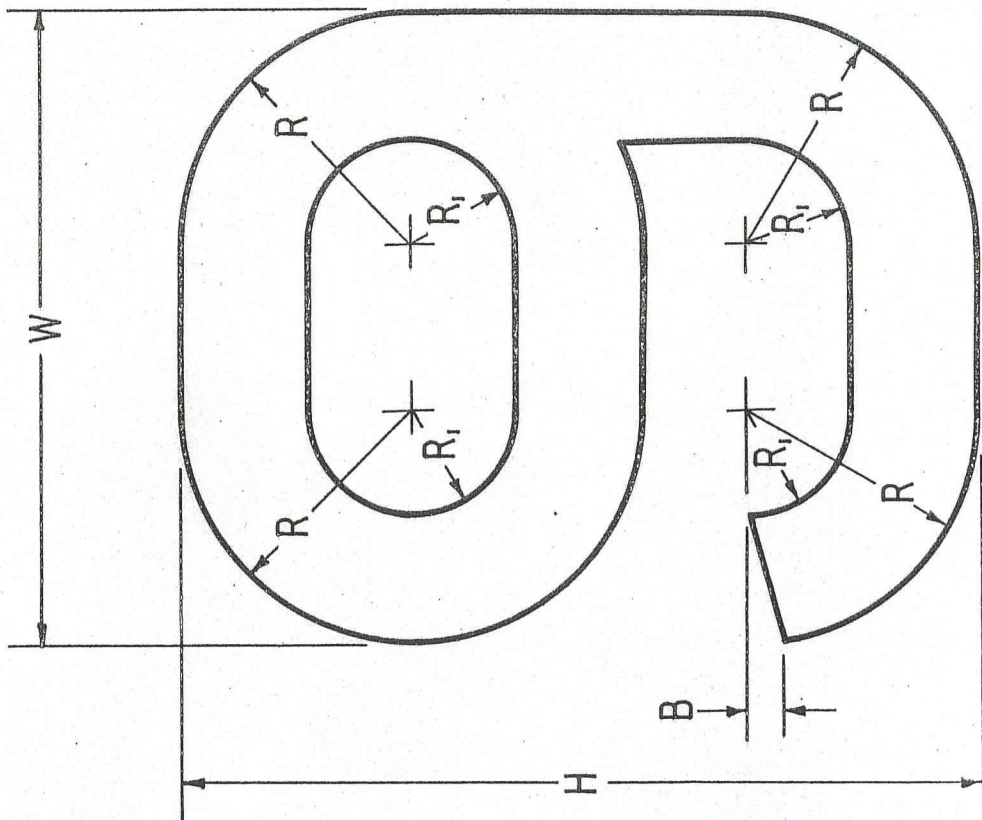
REF. DRAWING CHECK LIST 357795.

ITEM	DRAWING NO.	PART NO.	ROAF STOCK NO.	NAME	L.H. NO. RECD	R.H. NO. RECD	SIZE AND DESCRIPTION	SPECIFICATION
				AIRCRAFT MARKINGS				
				NUMERAL				
				8"				
DRAWN H.S.H. 10-5-58				CHECKED J.D.H. 10-5-58		D.O.		
TOLERANCES UNLESS OTHERWISE NOTED				FRACTIONS		NEXT ASSY		
DECIMALS				ANGLES		L.H. R.H. NO. RECD		
SURFACE ROUGHNESS AS PER ASA				REVISIONS		REV.		
SCALE				APPROVED		DRAWING NO.		
DWG SIZE				EXAM. J.M.E. 10-5-58		357828		
SCALE				AUTH. J.D.H. 10-5-58		SHEET 1 OF 1		
SCALE				ROAF APPROVED		DEPARTMENT OF NATIONAL DEFENCE		
SCALE				ROAF APPROVED		ROYAL CANADIAN AIR FORCE		

REPORT ALL ERRORS TO D.O.

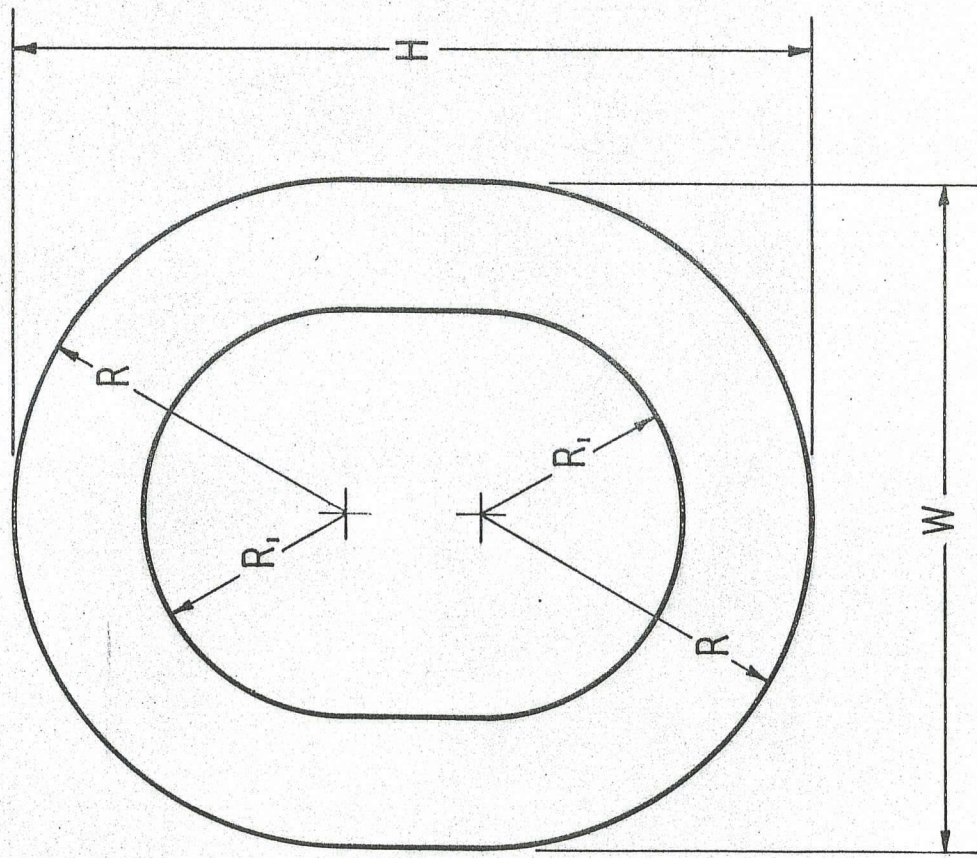
SYM.	REVISIONS	CKD	DATE	APPD
E	REDRAWN - NO CHANGE	MM	25 APR 62	MM
F	8 IN. HIGH NUMERAL ADDED. AUTH. DAE 5119 13 JUN 63	MM	13 JUN 63	MM
G	10 IN. HIGH NUMERAL ADDED R.F.	MM	1 OCT 63	MM

H	W	S	R	R ₁	A	B	C
3/8	19/64	—	7/64	3/64	—	1/64	—
1/2	—	—	—	—	—	—	—
3/4	19/32	—	7/32	3/32	—	1/32	—
1	—	—	—	—	—	—	—
1 1/4	—	—	—	—	—	—	—
1 1/2	1 3/16	—	7/16	3/16	—	1/16	—
2	—	—	—	—	—	—	—
3	—	—	—	—	—	—	—
4	3 1/4	—	1 1/4	1/2	—	1/64	—
6	4 3/4	—	1 3/4	3/4	—	1/4	—
8	6 1/2	—	2 1/2	1	—	11/32	—
10	7 7/8	—	2 7/8	1 1/4	—	13/32	—
12	9 1/2	—	3 1/2	1 1/2	—	1/2	—
18	14 1/4	—	5 1/4	2 1/4	—	3/4	—
24	19	—	7	3	—	1	—
30	23 3/4	—	8 3/4	3 3/4	—	1 1/4	—
48	38	—	14	6	—	2	—



REF. DRAWING CHECK LIST 357795.

ITEM	DRAWING NO.	PART NO.	NAME	SIZE AND DESCRIPTION	SPECIFICATION
C			AIRCRAFT MARKINGS NUMERAL "9"		
TOLERANCES UNLESS OTHERWISE NOTED:					
FRACTIONS:					
DECIMALS:					
ANGLES:					
SURFACE ROUGHNESS AS PER ASA					
MATERIAL:					
SCALE:					
DRAWN: J.E.H.		DRAWING NO. 357829			
CHECKED: J.E.H.		SHEET 1 OF 1 SHEETS			
D.O.:		REV.:			
APPD: M.M.		L.H. P.H. NO. RECD. REV.			
ENG. H.S.H.		DEPARTMENT OF NATIONAL DEFENCE			
RCAP APPROVED:		ROYAL CANADIAN AIR FORCE			
EXAM. G.H.E.					
AUTH. H.S.H.					



REPORT ALL ERRORS TO D.O.

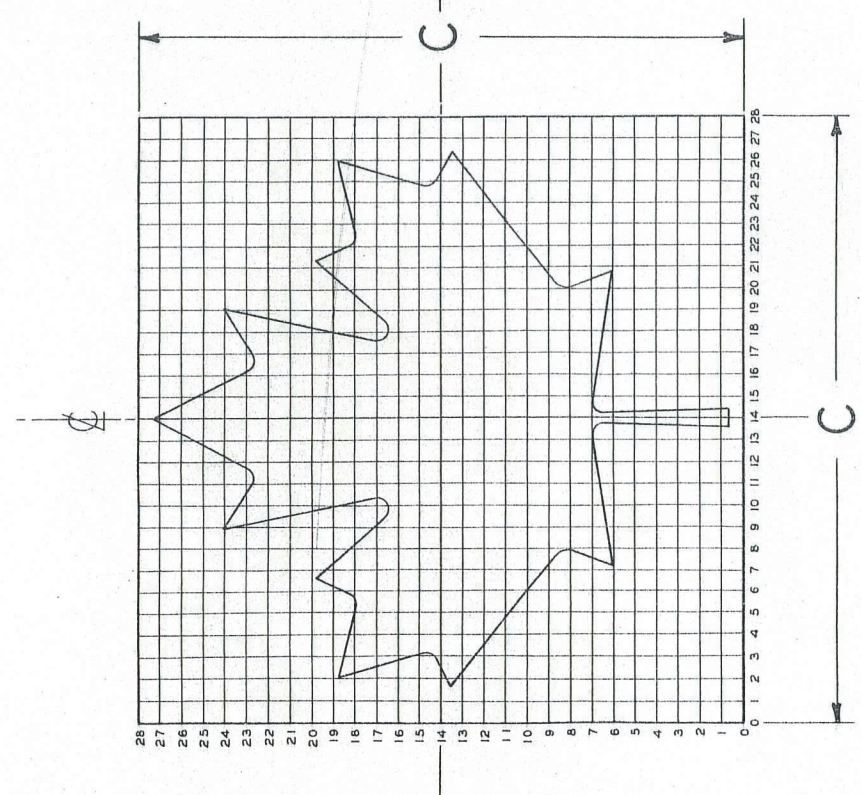
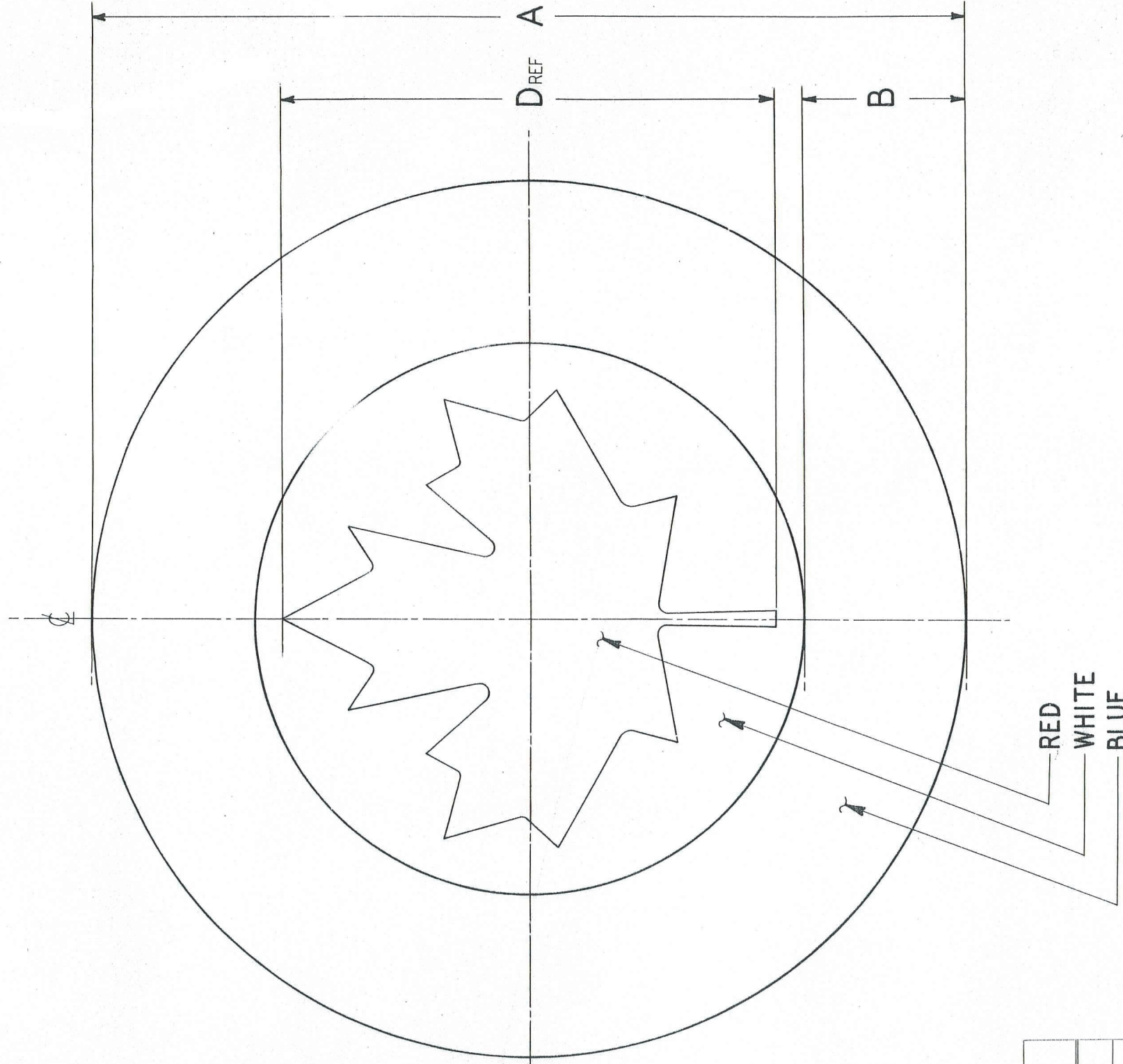
SYM.	REVISIONS	CHKD	DATE	APPD
D	REDRAWN - NO CHANGE	MM	25 APR 62	MM
E	8 IN. HIGH NUMERAL ADDED AUTH. DAE 5119 13 JUN 63	MM	SPNUT 5	SEM
F	10 IN. HIGH NUMERAL ADDED REF. 1 OCT 63	RF	1 OCT 63	MM

H	W	S	R	Ri	A	B	C
3	5/16	—	5/32	3/32	—	—	—
1	1/2	—	5/16	3/16	—	—	—
2	3/4	—	5/8	3/8	—	—	—
3	1	—	—	—	—	—	—
4	1 1/4	—	1 1/4	1	—	—	—
6	2	—	2 1/2	1 1/2	—	—	—
8	3	—	3 1/2	2	—	—	—
10	4	—	4 5/8	2 7/8	—	—	—
12	5	—	5	3	—	—	—
18	7 1/2	—	7 1/2	4 1/2	—	—	—
24	10	—	10	6	—	—	—
30	12 1/2	—	12 1/2	7 1/2	—	—	—
48	20	—	20	12	—	—	—

REF. DRAWING CHECK LIST 357795.

ITEM	DRAWING NO.	PART NO.	RCAF STOCK NO.	NAME	L.H. / R.H. NO. RECD	SIZE AND DESCRIPTION	SPECIFICATION	
DRAWN H.S.H. 10-5-63 CHECKED J.B.H. 10-5-63 D.D. APPD SURFACE ROUGHNESS AS PER ASA DIM 1					AIRCRAFT MARKINGS NUMERAL "0"			MATERIAL NEXT ASSY NO. RECD L.H. / R.H. NO. RECD REV.
TOLERANCES UNLESS OTHERWISE NOTED FRACTIONS: DECIMALS: ANGLES: SURFACE ROUGHNESS AS PER ASA DIM 1					DEPARTMENT OF NATIONAL DEFENCE ROYAL CANADIAN AIR FORCE			DRAWING NO. 357830
C	SCALE		RCAF APPROVED		SHEET 1 OF 1			SHEETS

SYN.	REV.	DESCRIPTION	DATE	BY	APP'D.
A		FIRST RELEASE			
B		COLOR SPEC AND NOTE DELETED WITH Dwg 51849 5 FEB 65			
C		DIMENSIONS FOR YUKON ACFT DELETED WITH Dwg 51849 5 FEB 65			
D		12 DIA. SIZE ROUND EL. ADDED. AUTH: L15500NF-34 (DEP) 2000			
E		"CONST." DIMENSIONS FOR 12, 16, 24, 36 AND 64 DIA. ROUND EL. SIZE REVISED SO AS TO BE IN PROPORTION WITH 24 DIA. SIZE. REMARKS COLUMN FOR "YUKON ONLY" DELETED. AUTH: CPMR 2000R 16 09 15 0000041 2000			



ROUND EL. SIZE	A	B	C	D	REF	REMARKS
12 DIA.	12	2 1/4	7 3/4	6 3/8	6 3/8	
16 DIA.	16	3	9 1/2	8 1/2	8 1/2	
24 DIA.	24	4 1/2	14	13	13	
36 DIA.	36	6 3/8	21 1/2	19 3/8	19 3/8	
48 DIA.	48	9	28	26	26	
64 DIA.	64	16	50	46 1/4	46 1/4	

THIS DRAWING SUPERSEDES DWG NO. 51680

ITEM	DESCRIPTION	QTY	UNIT	DATE	BY	APP'D.
F	REPORT ALL ERRORS TO D.C.					

DESIGN NO.	PART NO.	REV. NO.	DATE	BY	APP'D.

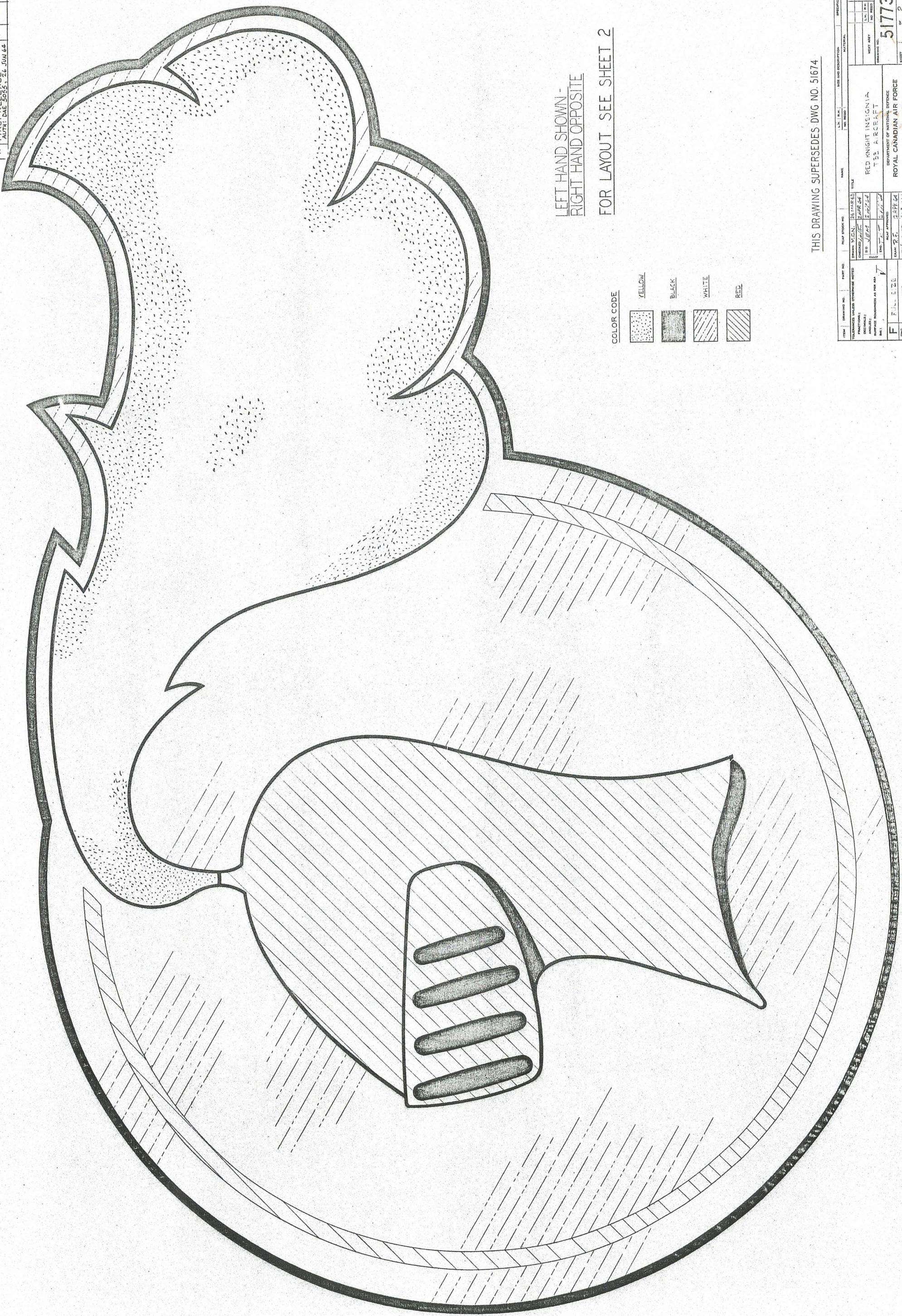
ISSUE NO.	ISSUE DATE	ISSUE BY	ISSUE FOR

NAME	TITLE
RCAF ROUND EL ACFT IDENT. MARKINGS	

DEPARTMENT OF NATIONAL DEFENCE	ROYAL CANADIAN AIR FORCE
DRAWING NO.	51849

Revised 2 Aug 67

REPORT ALL ERRORS TO D.O.			
BY:	REVISIONS	DATE	APPROVED
A	FIRST RELEASE		
	ALPHA CASE 5056	24 JUN 64	



LEFT HAND SHOWN -
RIGHT HAND OPPOSITE
FOR LAYOUT SEE SHEET 2

COLOR CODE

	YELLOW
	BLACK
	WHITE
	RED

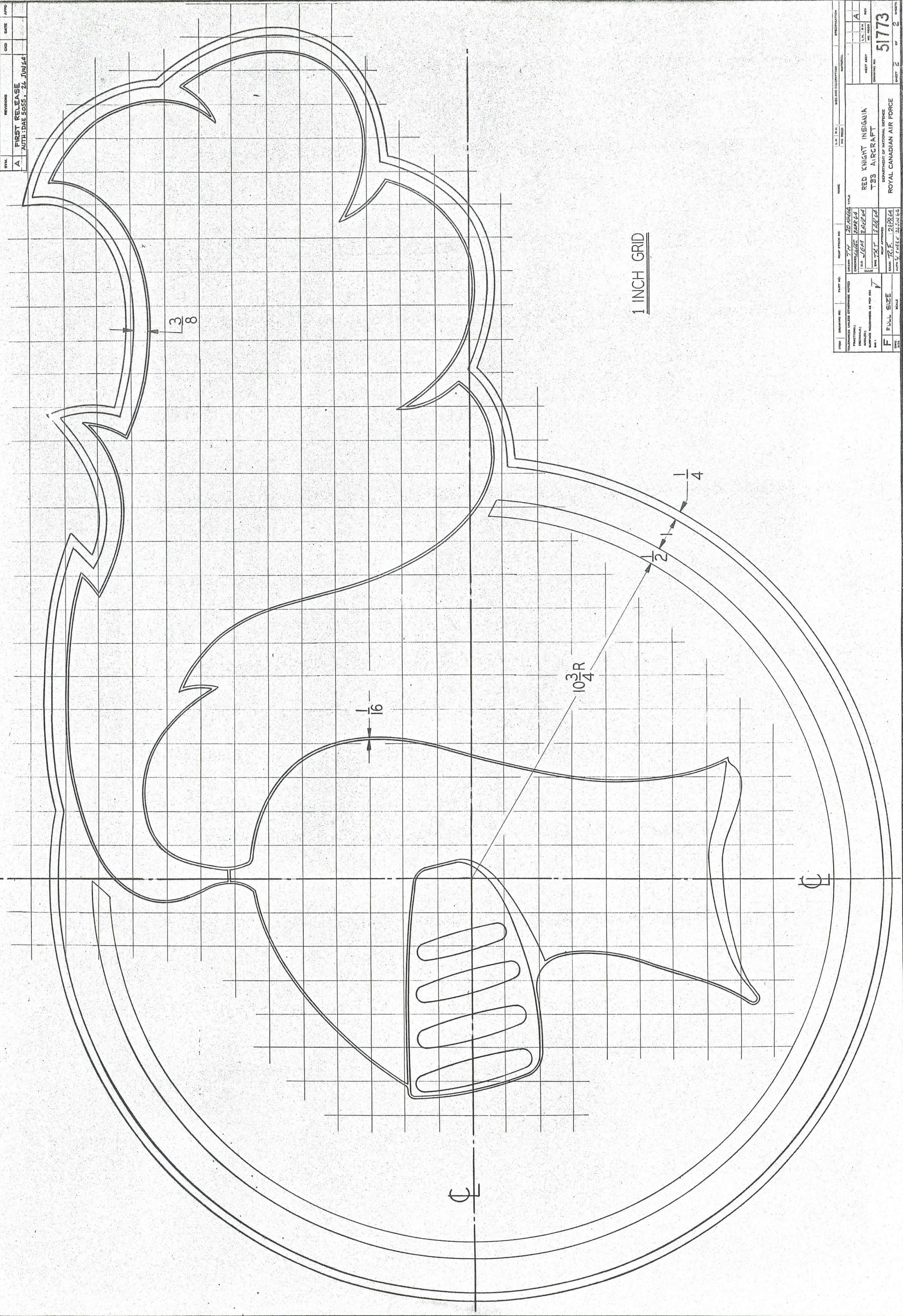
THIS DRAWING SUPERSEDES DWG NO. 51674

ITEM NO.	QUANTITY	UNIT	DESCRIPTION	DATE	BY
FUNCTIONS: <input type="checkbox"/> DESIGNED <input type="checkbox"/> DRAWN <input type="checkbox"/> CHECKED <input type="checkbox"/> APPROVED DATE: 24 JUN 64 DRAWN BY: [Signature] CHECKED BY: [Signature] APPROVED BY: [Signature]					
NAME: RED KNIGHT INSIGNIA T-28 AIRCRAFT DEPARTMENT OF NATIONAL DEFENCE ROYAL CANADIAN AIR FORCE				DRAWING NO.: 5173 SHEET NO.: 2	SCALE:

EO 05-1-2W

REPORT ALL ERRORS TO D.O.
REV. A FIRST RELEASE
AUTH: PAE 5655, 24 JUN 64

REV.	DATE	APP'D.
A		



NO.	DATE	BY	CHKD.	APP'D.	REVISION
51773					

RED KNIGHT INSIGNIA
T33 AIRCRAFT
ROYAL CANADIAN AIR FORCE