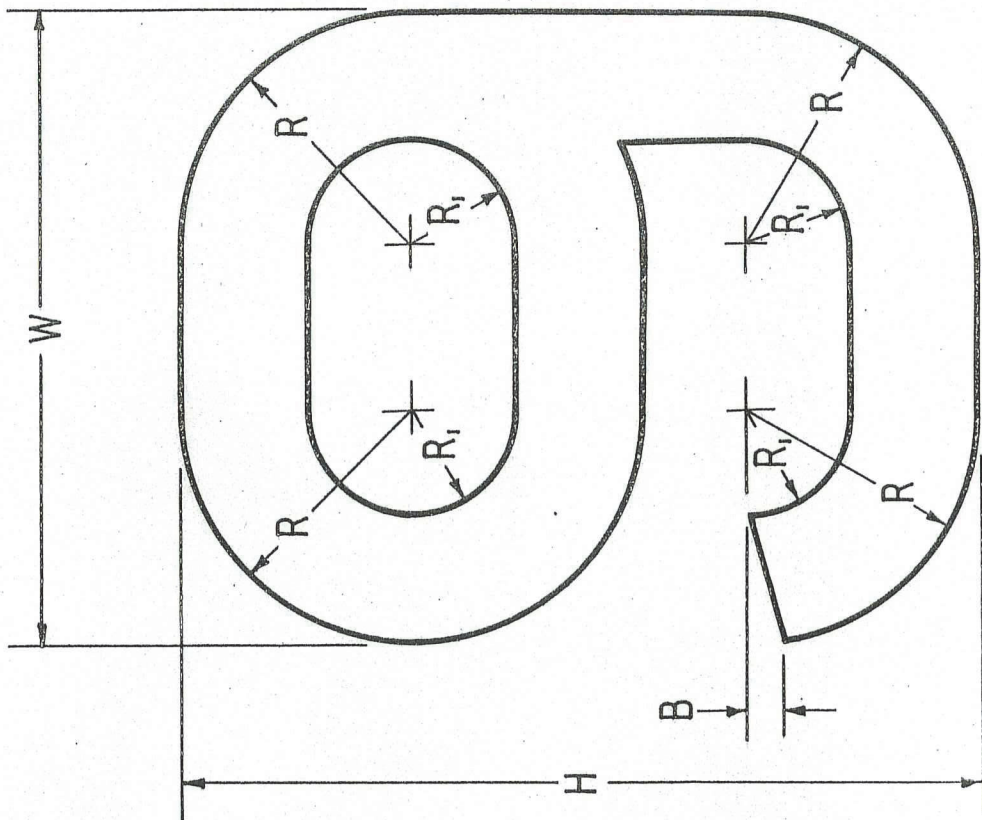


REPORT ALL ERRORS TO D.O.

SYM.	REVISIONS	CKD	DATE	APPD
E	REDRAWN - NO CHANGE	MM	25 APR 62	MM
F	8 IN. HIGH NUMERAL ADDED. AUTH. DAE 5119 13 JUN 63	MM	13 JUN 63	MM
G	10 IN. HIGH NUMERAL ADDED R.F.	MM	1 OCT 63	MM

H	W	S	R	R ₁	A	B	C
3/8	19/64	—	7/64	3/64	—	1/64	—
1/2	19/32	—	7/32	3/32	—	1/32	—
1/4	1 3/16	—	7/16	3/16	—	1/16	—
2	—	—	—	—	—	—	—
3	—	—	—	—	—	—	—
4	3 1/4	—	1 1/4	1/2	—	1/64	—
6	4 3/4	—	1 3/4	3/4	—	1/4	—
8	6 1/2	—	2 1/2	1	—	11/32	—
10	7 7/8	—	2 7/8	1 1/4	—	13/32	—
12	9 1/2	—	3 1/2	1 1/2	—	1/2	—
18	14 1/4	—	5 1/4	2 1/4	—	3/4	—
24	19	—	7	3	—	1	—
30	23 3/4	—	8 3/4	3 3/4	—	1 1/4	—
48	38	—	14	6	—	2	—



REF. DRAWING CHECK LIST 357795.

ITEM	DRAWING NO.	PART NO.	NAME	SIZE AND DESCRIPTION	SPECIFICATION
C			AIRCRAFT MARKINGS NUMERAL "9"		
TOLERANCES UNLESS OTHERWISE NOTED:					
FRACTIONS:					
DECIMALS:					
ANGLES:					
SURFACE ROUGHNESS AS PER ASA					
MATERIAL:					
SCALE:					
DRAWN: J.E.H.		DRAWING NO. 357829			
CHECKED: J.E.H.		SHEET 1 OF 1 SHEETS			
D.O.:		L.H. R.H. NO. RECD. REV.			
ENG. H.S.H.		NEXT ASBY			
EXAM. G.H.E.		DRAWING NO. 357829			
AUTH. H.S.H.		DEPARTMENT OF NATIONAL DEFENCE			
		ROYAL CANADIAN AIR FORCE			