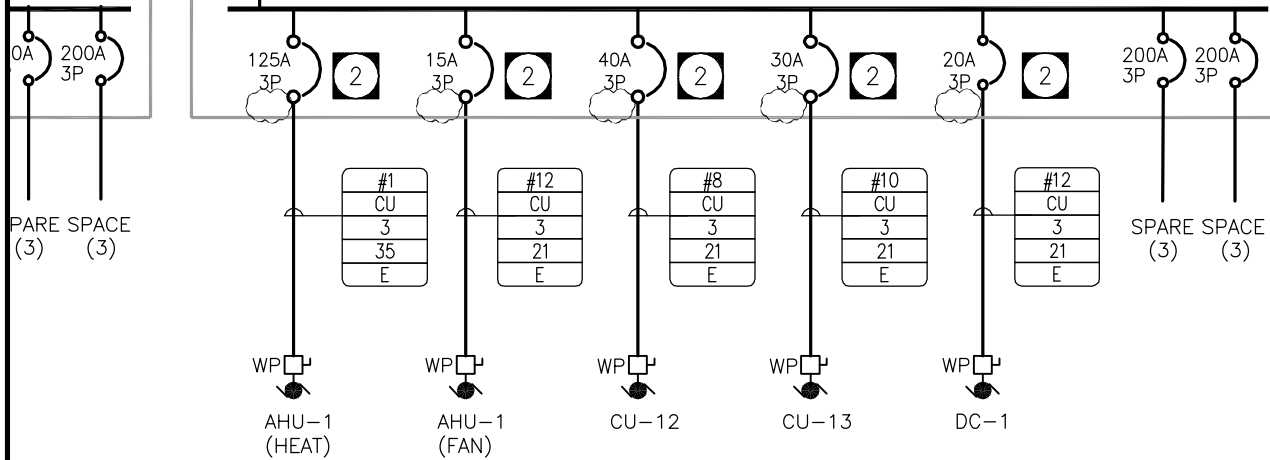


**CDP-6M**  
**(MEZZANINE MECHANICAL RM.)**  
 347/600V, 3 $\phi$ , 4W, 225A, 35kAIC



**MOTOR/EQUIPMENT SCHEDULE**

ITEM	DESCRIPTION	EQUIPMENT LOCATION	KW/HP/AMPS	VOLTS/ $\phi$	FEED FROM	PKG UNIT	STARTER								
							MAG	MAN	FUNC	PL	PB	HC			
AHU-1	AIR HANDLING UNIT (HEAT)	MECHANICAL ROOM	90kW	600/3	CDP-6M	Y									
AHU-1	AIR HANDLING UNIT (FAN)	MECHANICAL ROOM	5 HP	600/3	CDP-6M		X		FUNR	X					
AC-1	AIR COMPRESSOR	MECHANICAL ROOM	3 HP	208/3	CDP-2M		X		FUNR	X					
RLV-1	ROTARY LOCK VALVE	MECHANICAL ROOM	1 HP	208/3	CDP-2M		X		FUNR	X					
B-1	GAS BOILER	BOILER ROOM	15A	120-1	PANEL 2C	Y									
B-2	GAS BOILER	BOILER ROOM	15A	120-1	PANEL 2C	Y									
CP-1	CIRCULATING PUMP	MECHANICAL ROOM	1/6 HP	120/1	PANEL 2C		X		FUNR	X					
CP-2	CIRCULATING PUMP	MECHANICAL ROOM	1/16 HP	120/1	PANEL 2P		X		FUNR	X					
CU-1	CONDENSING UNIT	ON ROOF FOR FC-1	32.7 MCA	208/1	PANEL 2C	Y									
CU-2	CONDENSING UNIT	ON ROOF FOR FC-2	30.3 MCA	208/1	PANEL 2C	Y									
CU-3	CONDENSING UNIT	ON ROOF FOR FC-3	15.1 MCA	208/1	PANEL 2C	Y									
CU-4	CONDENSING UNIT	ON ROOF FOR FC-4	8.9 MCA	208/1	PANEL 2C	Y									
CU-5	CONDENSING UNIT	ON ROOF FOR FC-5	18.3 MCA	208/1	PANEL 2C	Y									
CU-6	CONDENSING UNIT	ON ROOF FOR FC-6	8.9 MCA	208/1	PANEL 2C	Y									
CU-7	CONDENSING UNIT	ON ROOF FOR FC-7	8.9 MCA	208/1	PANEL 2C	Y									
CU-8	CONDENSING UNIT	ON ROOF FOR FC-8	15.1 MCA	208/1	PANEL 2C	Y									
CU-9	CONDENSING UNIT	ON ROOF FOR FC-9	15.1 MCA	208/1	PANEL 2C	Y									
CU-10	CONDENSING UNIT	ON ROOF FOR FC-10	18.3 MCA	208/1	PANEL 2C	Y									
CU-11	CONDENSING UNIT	ON ROOF FOR FC-11	30.3 MCA	208/1	PANEL 2C	Y									
CU-12	CONDENSING UNIT	ON ROOF FOR AHU-1	26.4 MCA	600/3	CDP-6M	Y									
CU-13	CONDENSING UNIT	ON ROOF FOR HRV-1	20.1 MCA	600/3	CDP-6M	Y									
DC-1	DUST COLECTION	HOME IMPROVEMENT 121	5 HP	600/3	CDP-6M		X		FUNR	X	X				
DWH-1to4	DOMESTIC WATER HEATER	VARIABLES	12A each	120/1	PANEL 2C										
EF-1	EXHAUST FAN	KITCHEN 148	3/4 HP	208/3	PANEL 2C		X		FUNR	X	X				
EF-2	EXHAUST FAN	ZAMBONI 131	1/4 HP	120/1	PANEL 2C		X		FUNR	X					
EF-3	EXHAUST FAN	ELECTRICAL ROOM	1 HP	208/3	PANEL 2C		X		2SP	X	X				
EFF-1	ELEC FORCE FLOW	VESTIBULE 100	8 KW	208/1	PANEL 2P										
EFF-2	ELEC FORCE FLOW	VESTIBULE 136	4 KW	208/1	PANEL 2P										
EFF-3	ELEC FORCE FLOW	VESTIBULE 104	4 KW	208/1	PANEL 2P										
EBBR-	ELEC BASEBOARD HEATER	VARIABLES	2 KW	208/1	PANEL 2P										

**TOWER ENGINEERING GROUP**  
 208-897 CORYDON AVE.  
 WINNIPEG, MB.  
 TEL: (204) 925-1150  
 FAX: (204) 925-1155

PROJECT TITLE:  
**BRONX PARK COMMUNITY CENTRE**  
**WINNIPEG, MB**

DRAWING TITLE:  
**ELECTRICAL REVISIONS**  
**DWG E5.1 PART PLAN**

FILE: **ADD-02** JOB # **6150**

DATE: **FEB. 21/08**

DRAWING NO. / REVISION NO.

**ER-5**