

NOT TO BE USED FOR CONSTRUCTION
(Remove when is final)

NO.	REVISION	DATE	BY
2	ADDENDUM 1	18/04/2008	JS
1	ISSUED FOR TENDER	25/03/2008	JS
0	99% ISSUED FOR REVIEW	28/02/2008	JS

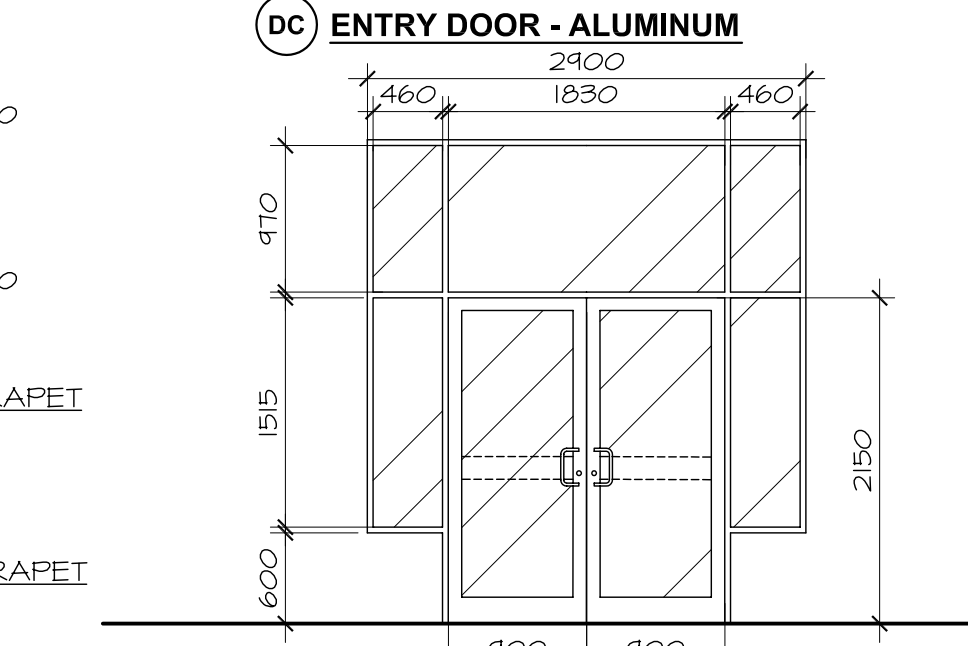
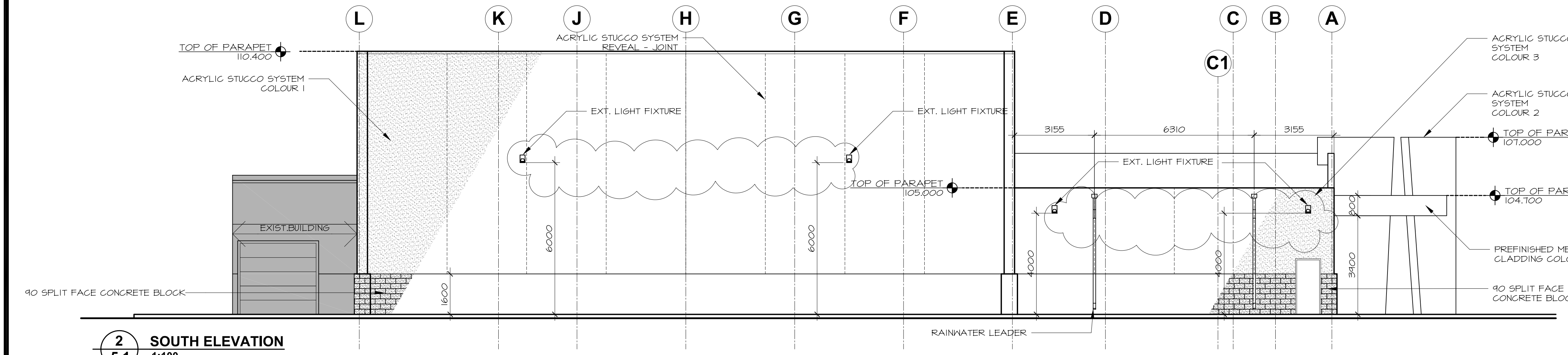
THIS DRAWING IS THE EXCLUSIVE PROPERTY OF THE ARCHITECT AND CAN BE REPRODUCED ONLY WITH THE PERMISSION OF THE ARCHITECT. IN WHICH CASE THE REPRODUCTION MUST BEAR THE NAME OF THE ARCHITECT.

THIS DRAWING SHALL NOT BE SCALED. FOLLOW GIVEN DIMENSIONS ONLY.

THE CONTRACTOR SHALL SATISFY HIMSELF THAT ALL DIMENSIONS AND INFORMATION SHOWN ARE CORRECT.

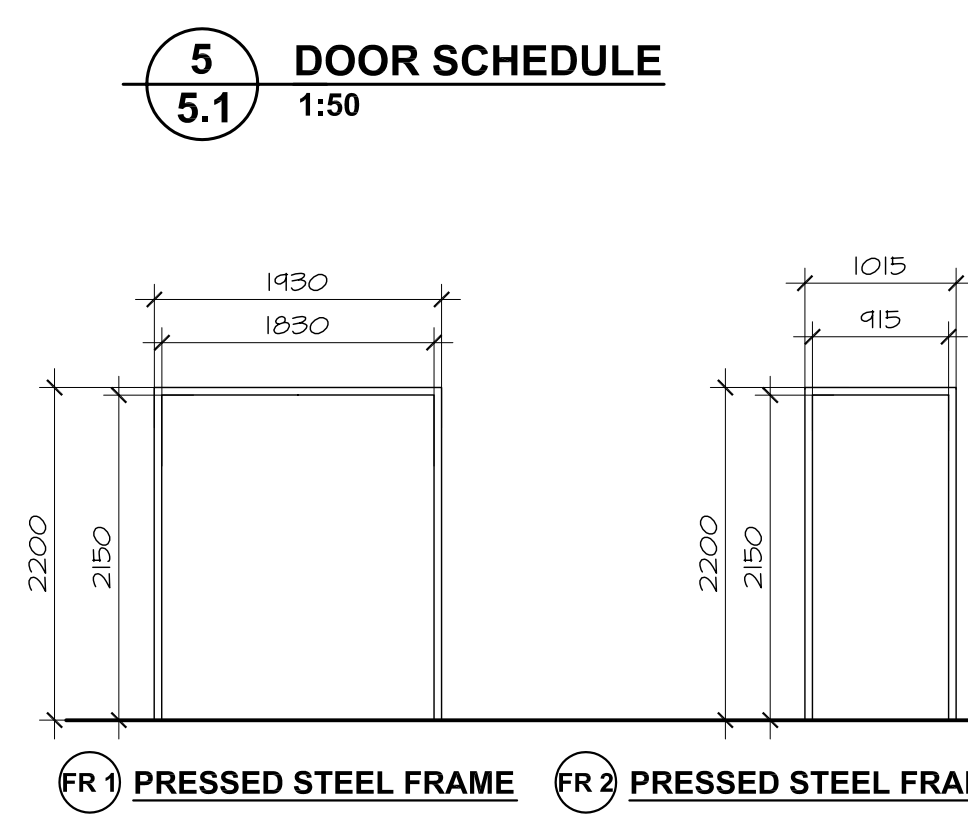
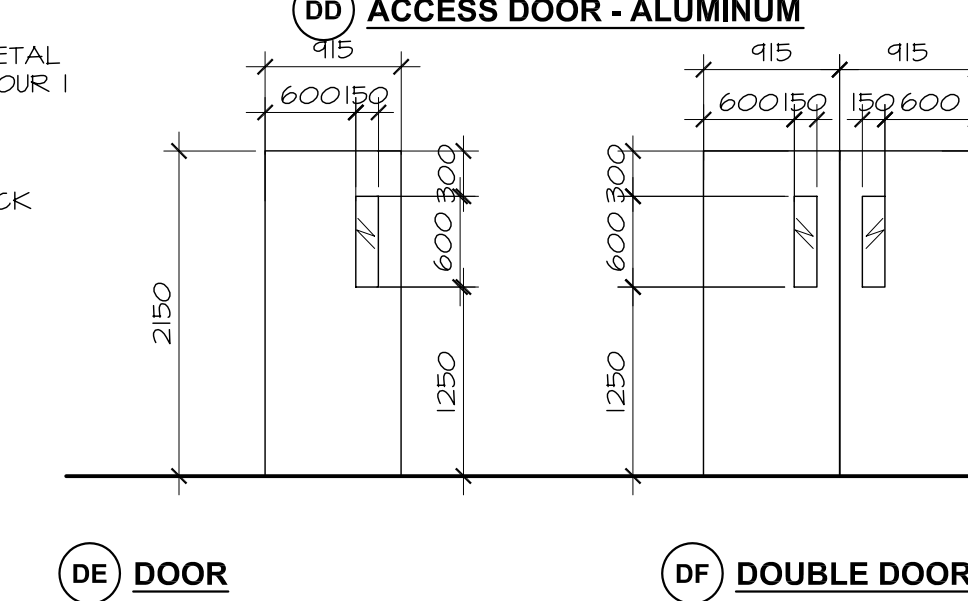
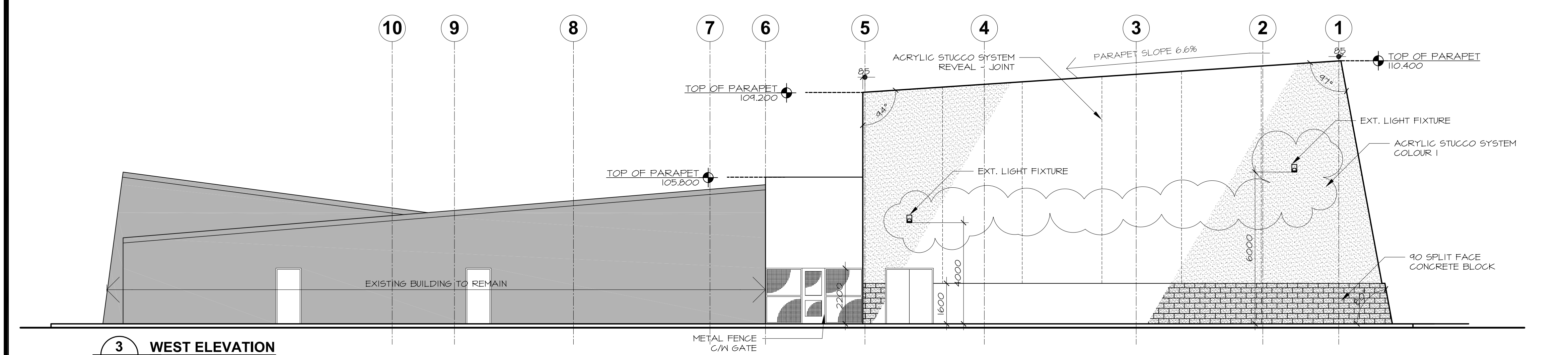
PRIOR TO COMMENCEMENT OF WORK REPORT ANY DISCREPANCIES TO THE ARCHITECT.

VARIATIONS AND MODIFICATIONS TO WORK SHOWN WILL NOT BE ALLOWED WITHOUT WRITTEN PERMISSION OF THE ARCHITECT.



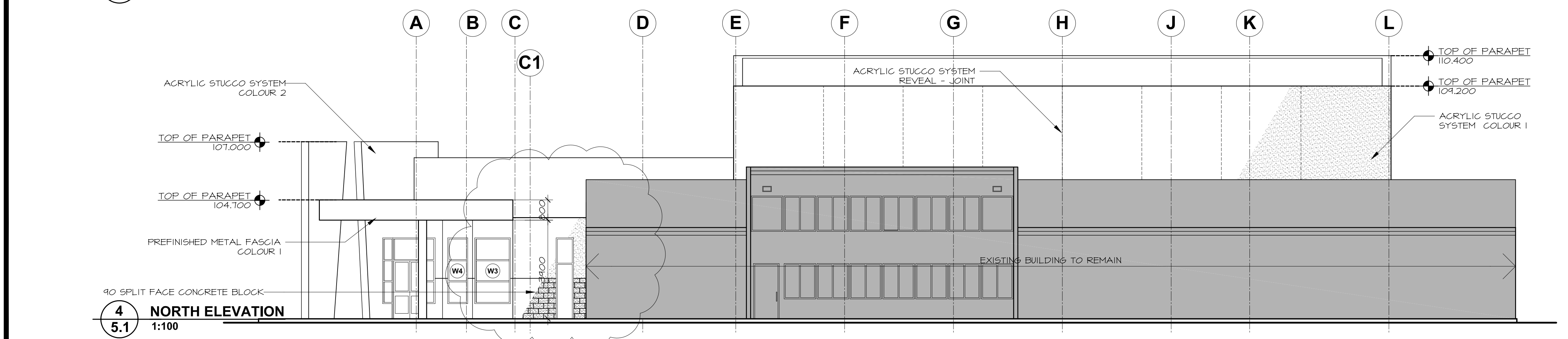
CONSULTANT

SEAL



GENERAL NOTE

EAST ELEVATION - REMOVE EXISTING STUCCO TO SUBSTRATE AND REPLACE WITH NEW ACRYLIC STUCCO SYSTEM



CALNITSKY ASSOCIATES ARCHITECTS

ARCHITECTURE | INTERIOR DESIGN
124 Nassau Street North | Winnipeg, Manitoba R3L 2H1
Tel: (204) 453-6441 | Fax: (204) 453-3392
E-mail: caa@escape.ca

PROJECT TITLE
NORBERRY GLENLEE COMMUNITY CENTRE EXPANSION
26 Molgat Avenue, Winnipeg, MB
Bid Opportunity No. 931-2007

SHEET TITLE
BUILDING ELEVATIONS

DRAWN BY	SCALE	SHEET NUMBER
JS	AS NOTED	A-5.1
CHECKED BY	DATE	
JS	31/01/2008	
PROJECT NUMBER	REVISION	
06-017	0	