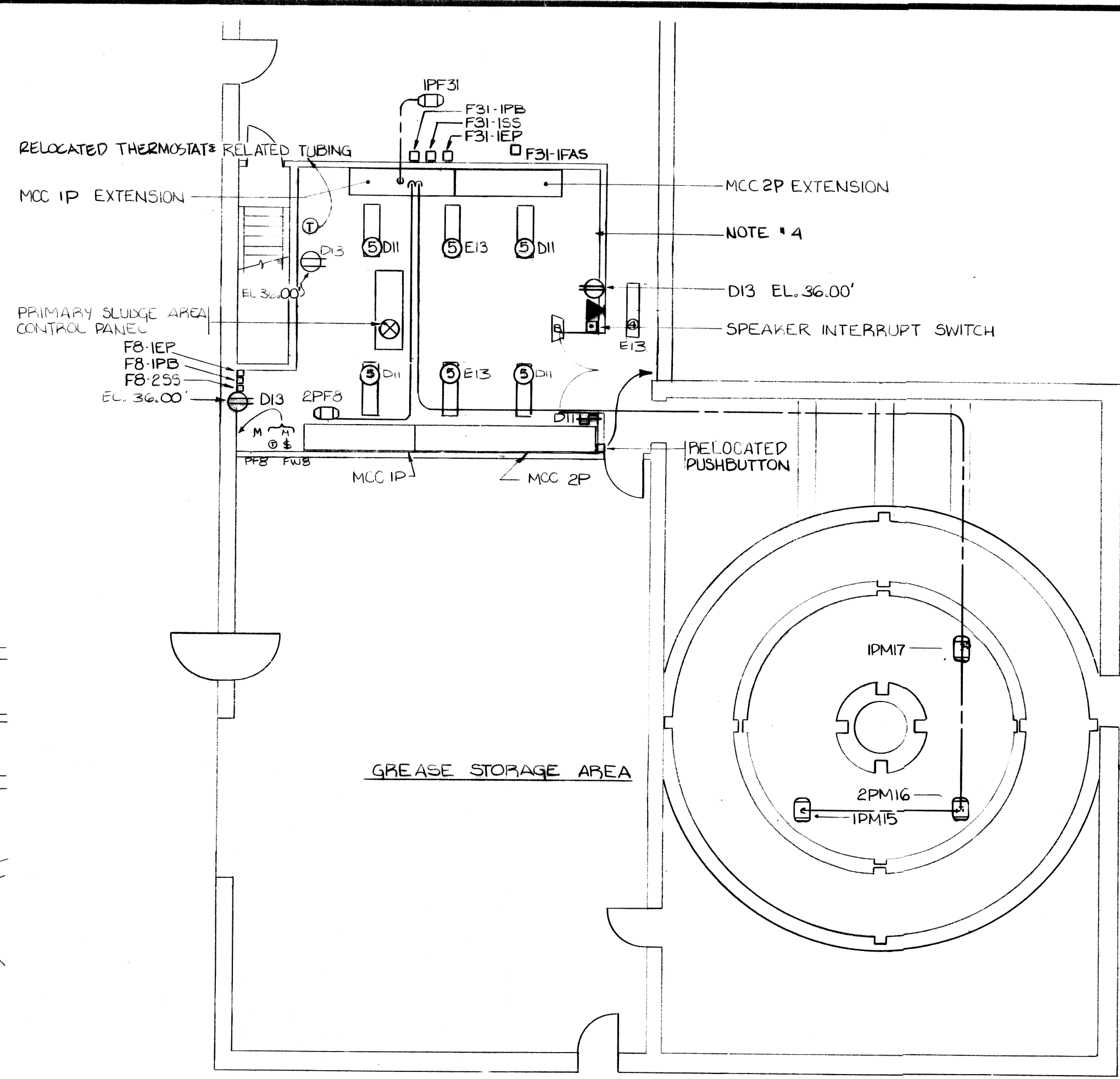
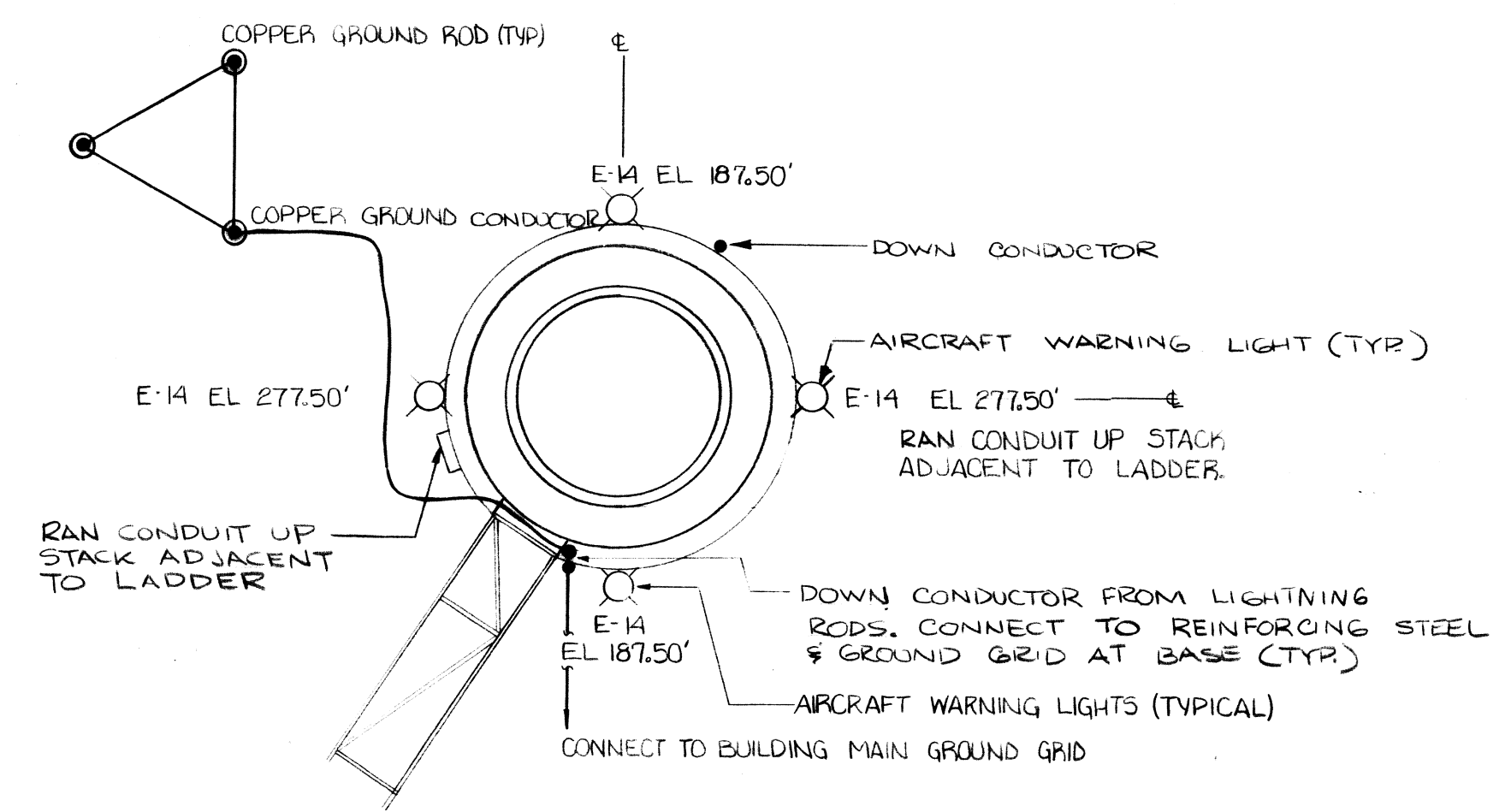


FLOOR PLAN AT ELEVATION 16.00' IN CLARIFIER CONTROL BUILDING
SCALE 1/8" = 1'-0"

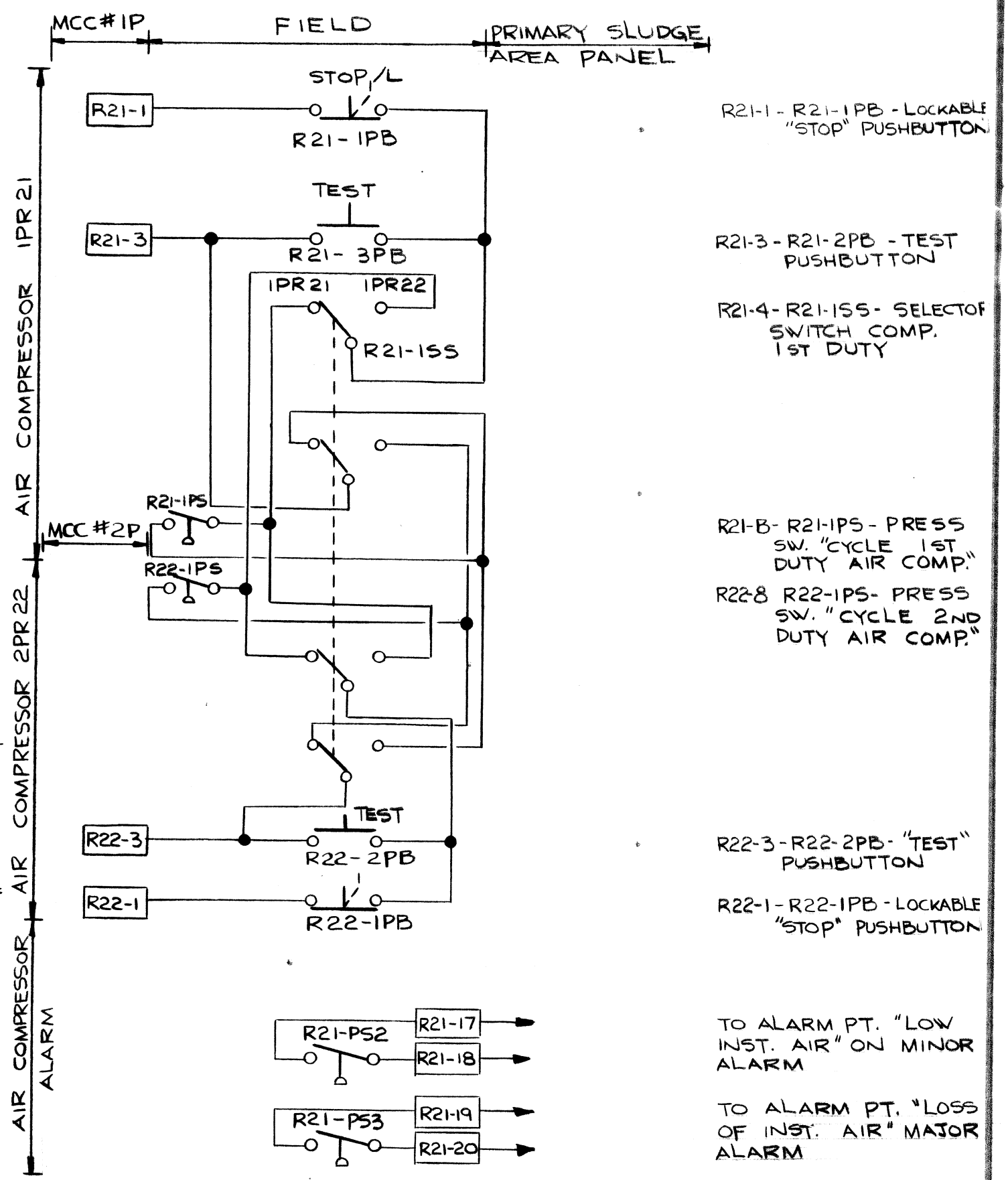
- NOTE:
1. TIE IN POINT FOR TELEPHONE SYSTEM EXTENSION, REFER TO RISER DIAGRAM DWG # E-105.
 2. TIE IN POINT FOR P.A. EXTENSION, REFER TO RISER DIAGRAM DWG # E-105.
 3. RELOCATED EXISTING COMPONENTS & RELATED CIRCUITRY TO AREA INDICATED.
 5. ALL CONDUITS IN NEW CONTROL ROOM CONCEALED



FLOOR PLAN AT ELEVATION 32.50' IN CLARIFIER CONTROL BUILDING
SCALE 1/8" = 1'-0"



PLAN OF CHIMNEY
NOT TO SCALE



INSTRUMENT AIR COMPRESSOR CONTROL SCHEMATIC
N.T.S.

| NO. | DATE | DESCRIPTION |
|-----|------------|---------------------|
| 0 | AS-BUILTS | ISSUED FOR APPROVAL |
| 1 | 11 SEPT 79 | BY LF |
| 2 | 15 MAY 78 | BY LF |

PROVINCE OF MANITOBA
L. R. FERCHOFF
REGISTERED ENGINEER
MAY 10/78

W.L. WARDROP & ASSOCIATES LTD.
JAMES F. MACLAREN LIMITED
ENGINEERING CONSULTANTS

DRAWN BY: KFML
DESIGNED BY: LF

CHECKED BY: DWR
APPROVED BY: [Signature]
DATE: [Blank]

MICROFILMED MAR 31 1980

THE CITY OF WINNIPEG
WORKS & OPERATIONS DEPARTMENT
WATERWORKS, WASTE & DISPOSAL DIVISION

NORTH END WATER POLLUTION CONTROL CENTRE
PRIMARY CLARIFIER ADDITION
ELECTRICAL-INSTALLATION DETAILS

SCALE: AS SHOWN
DATE: MAY 1978
CONSULTANT DRAWING NO. 76012-Q5-E 109
CITY DRAWING NO. NRP-274

NR 11150