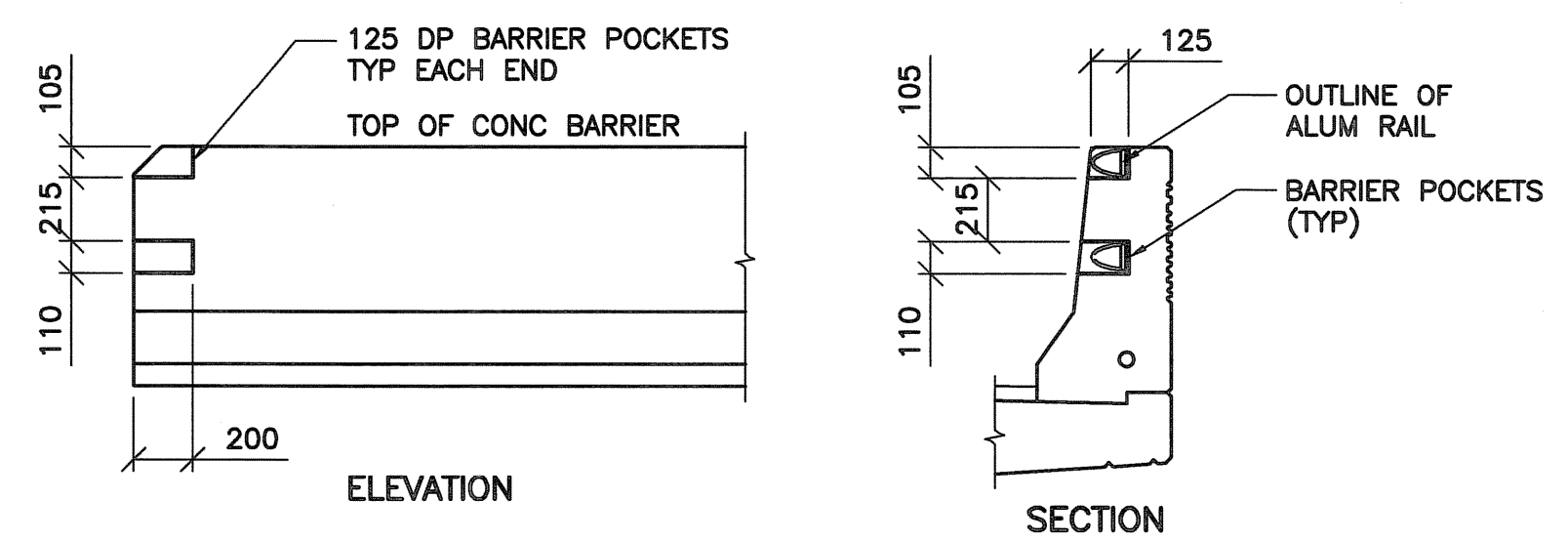
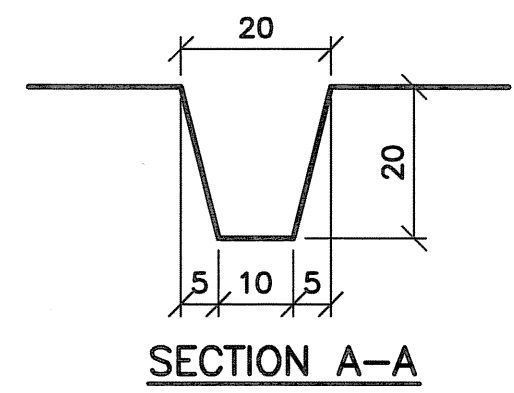
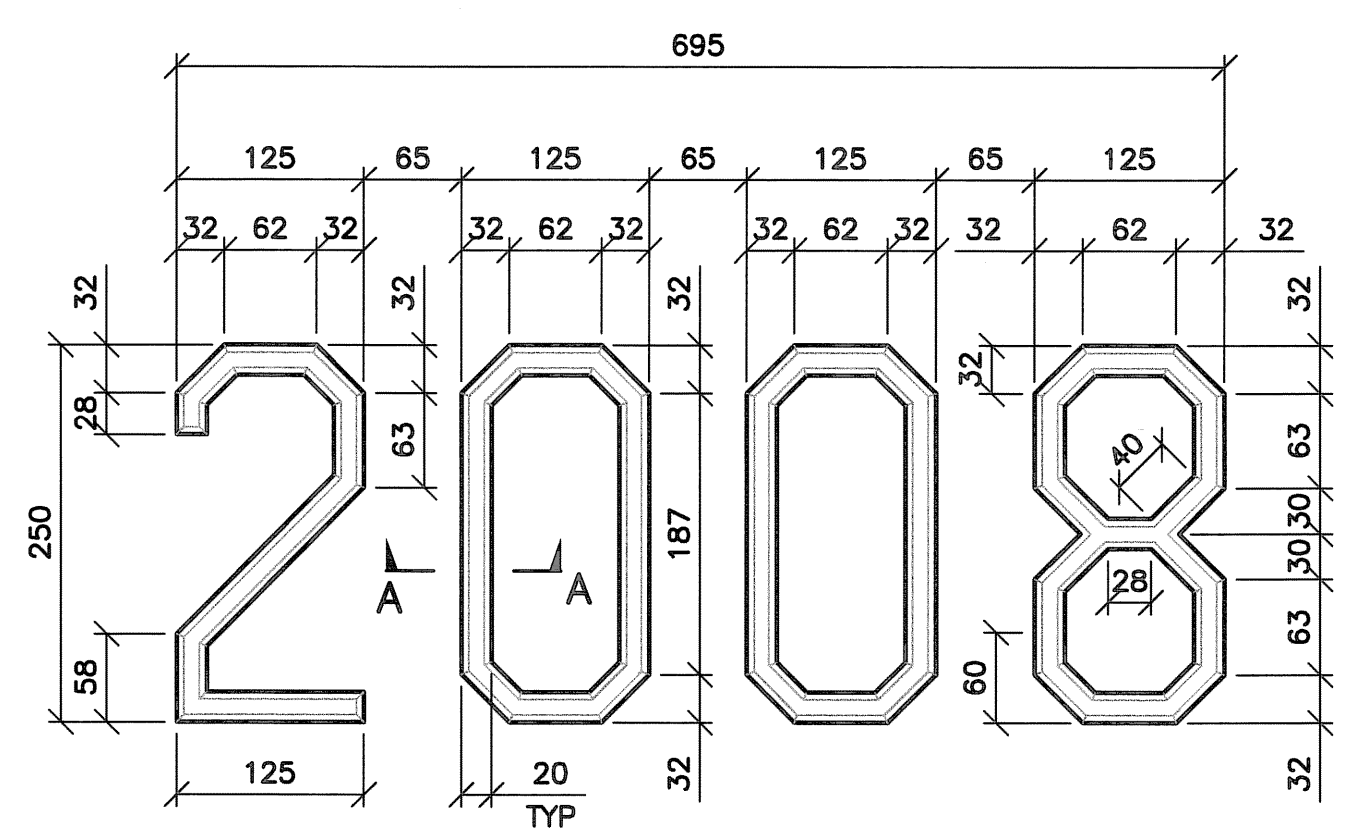


1 LAYOUT OF CONCRETE BARRIER AND ALUMINUM TRAFFIC BARRIER
 1 : 75
 - ELEVATION OF NORTH BARRIER SHOWN - LAYOUT OF SOUTH BARRIER AND RAIL SIMILAR
 - REFER TO SECTION 6 AND 10 IN SHEET 10 FOR ARCHITECTURAL DETAILS OF BARRIER ENDS

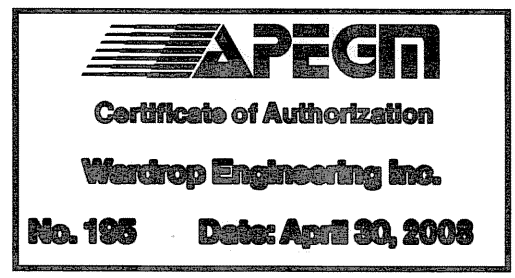


3 CONC BARRIER - RAIL POCKET DETAIL
 1 : 25
 - TYPICAL ON INSIDE FACE (ROADWAY SIDE) OF CONC BARRIER EAST AND WEST END OF THE BRIDGE (4 LOC'S AS SHOWN)

ITEM	SALVAGE MATERIALS	NEW MATERIALS	TOTAL REQUIRED
RAIL POSTS BR1 - TYPE 'C'		154	154
11430 RAIL	44	2	46
8144 RAIL	*2		2
7620 RAIL	**2		2
6848 RAIL		2	2
RAIL END SECTIONS		4 (2L & 2R)	4 (2L & 2R)
457.2 STANDARD SPLICE BAR	46	4	50
700 EXPANSION SPLICE BAR		4	4
146 RAIL CLAMP BAR	308		308
S.S. HEX HEAD CAP SCREWS		824	824
WASHERS		824	824
SHIMS		AS REQUIRED	AS REQUIRED

NOTE:
 QUANTITIES SHOWN ARE TOTAL FOR BOTH SIDES OF THE BRIDGE.
 * - CUT FROM EXIST 11200 LG RAILS
 ** - CUT FROM EXIST 8400 LG RAILS

2 STRUCTURE IDENTIFICATION DATE
 1 : 5



B.M. ELEV.	F.B.	WARDROP Engineering Inc.	ORIGINAL DRAWING REVISION "00" SEALED BY E.F. SHEHATA 08.02.05
			DESIGNED BY E.F.S. CHECKED BY [Signature]
		DRAWN BY P.S./G.I. APPROVED BY [Signature]	
01 ISSUED FOR ADDENDUM #2 08.03.05		HOR. SCALE: AS NOTED	CONSULTANT DRAWING NO. 0600070700-DWG-S1131-00
00 ISSUED FOR TENDER 08.02.05		VERTICAL: AS NOTED	
NO. REVISIONS	DATE BY	DATE 08.02.05	

THE CITY OF WINNIPEG
 PUBLIC WORKS DEPARTMENT
 TRANSPORTATION ENGINEERING DIVISION

FORT GARRY TWIN BRIDGES
 WESTBOUND STRUCTURE REHABILITATION
 AND ASSOCIATED ROADWORKS

CITY DRAWING NUMBER
B173-08-031W
 SHEET 31 OF 54

LAYOUT OF CONCRETE BARRIER
 AND ALUMINUM TRAFFIC BARRIER

31