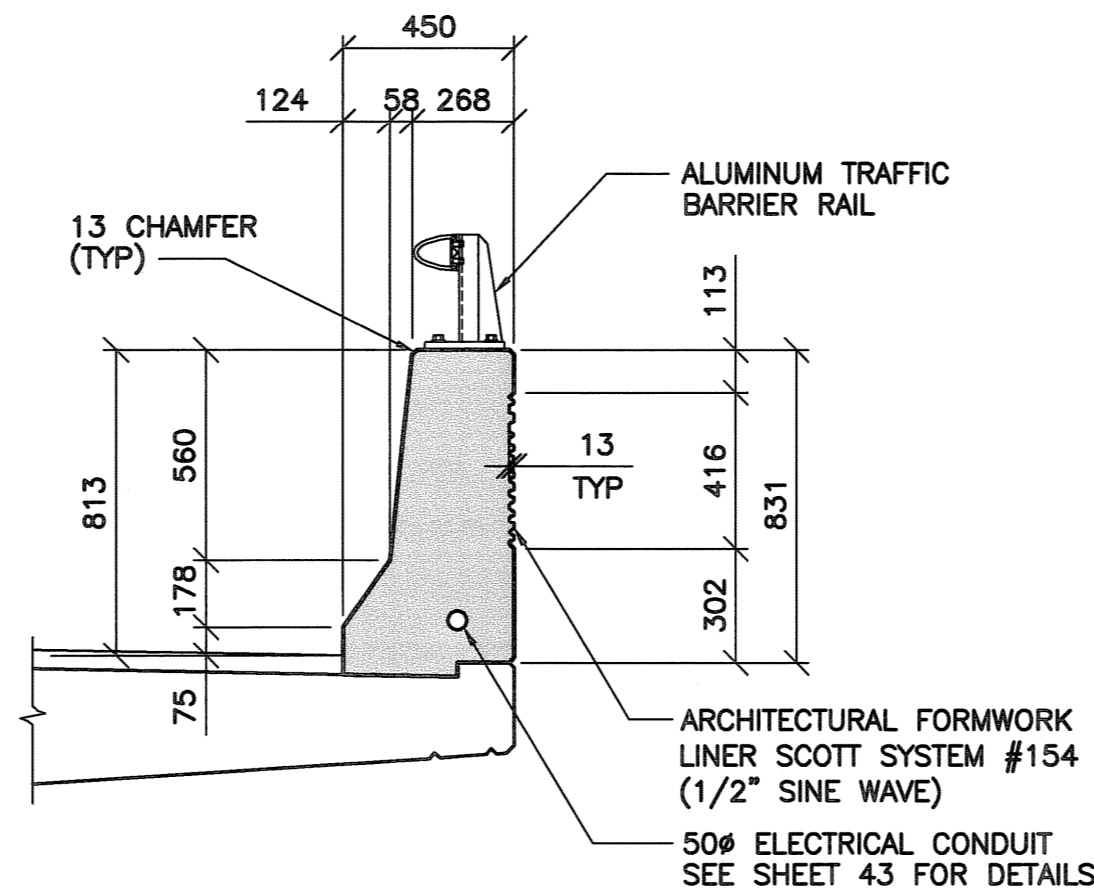
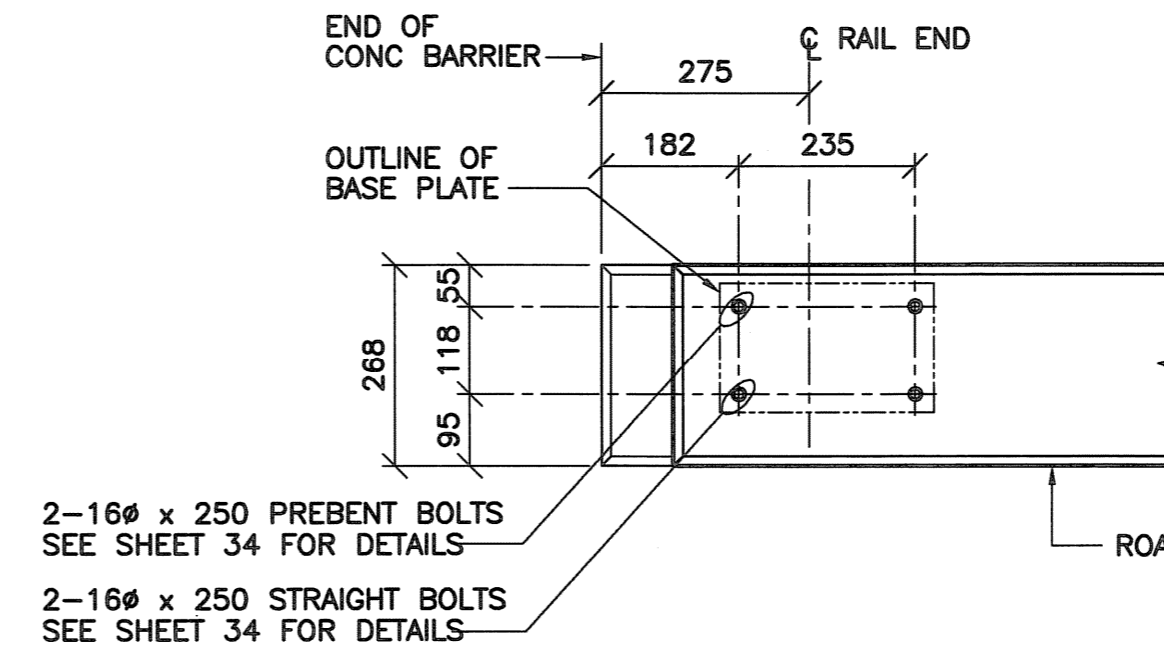


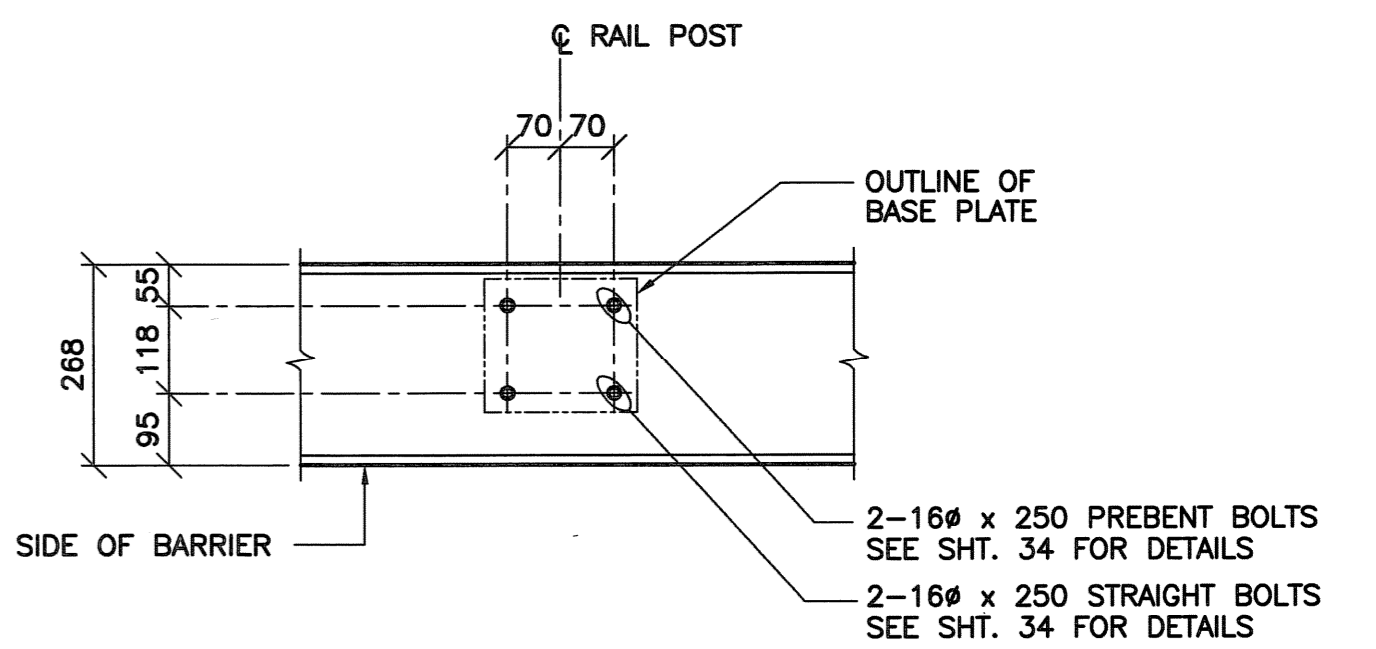
**1** SOUTH CONCRETE BARRIER  
1 : 20



**2** NORTH CONCRETE BARRIER  
1 : 20

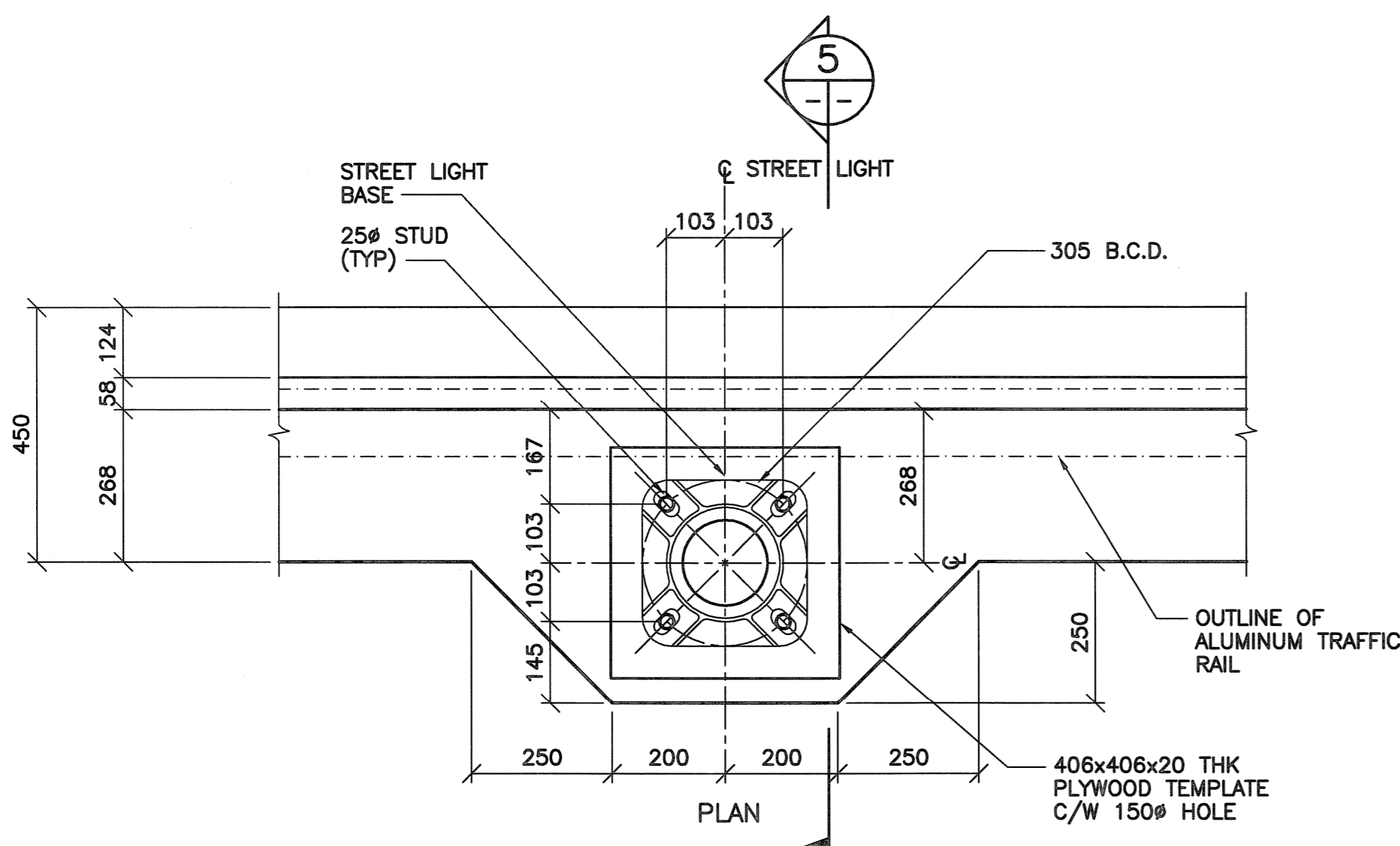


PLAN AT RAIL ENDS

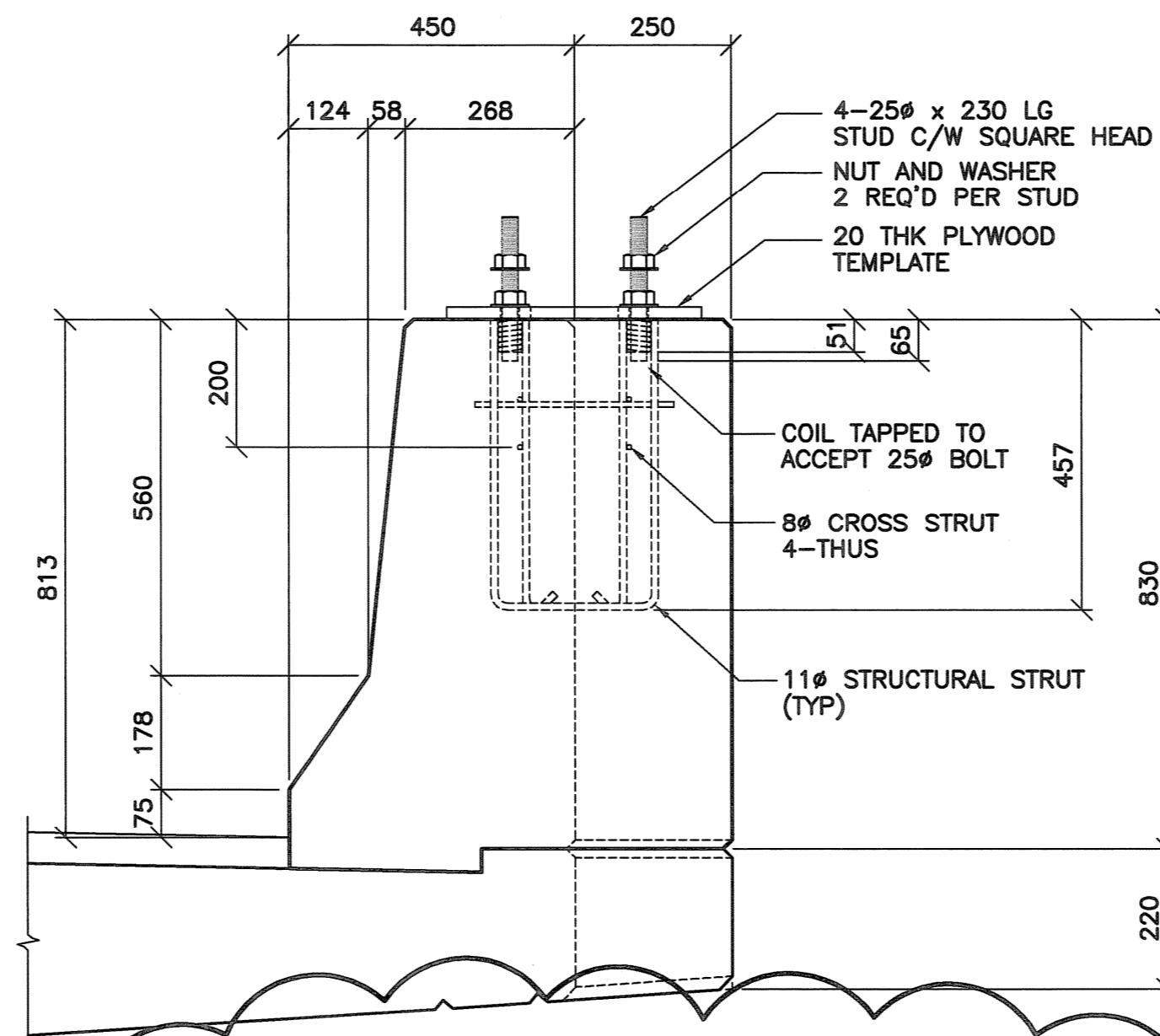


PLAN AT TYPICAL RAIL POST

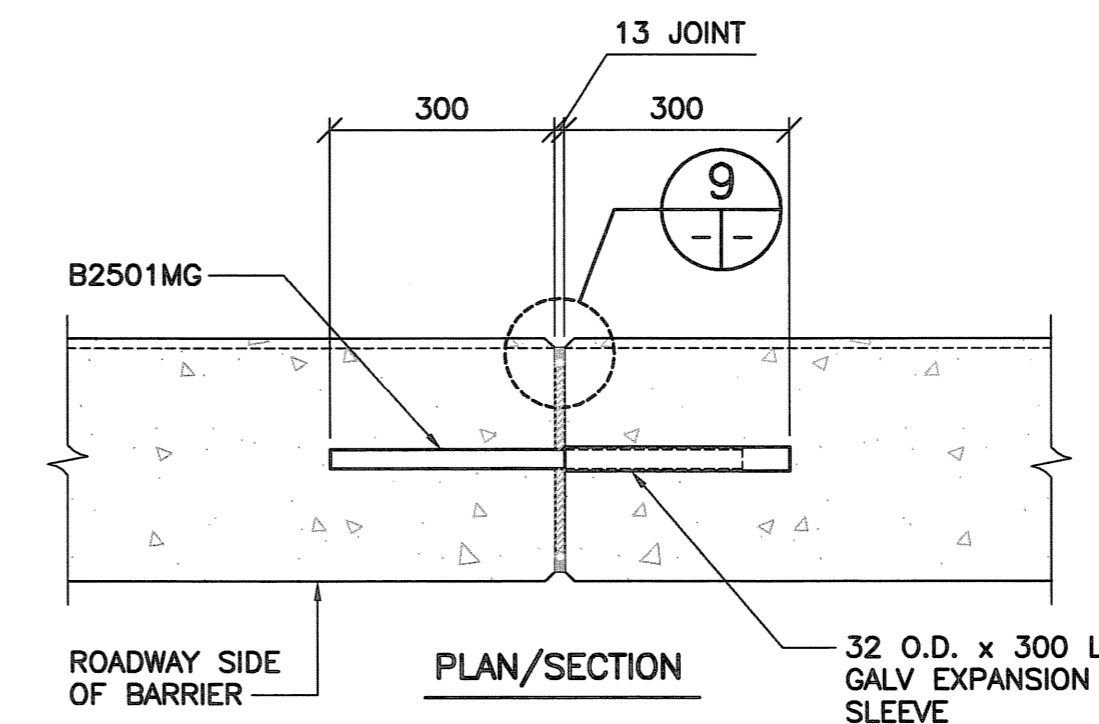
**3** ALUMINUM RAIL POST ANCHOR BOLT LAYOUT  
1 : 10



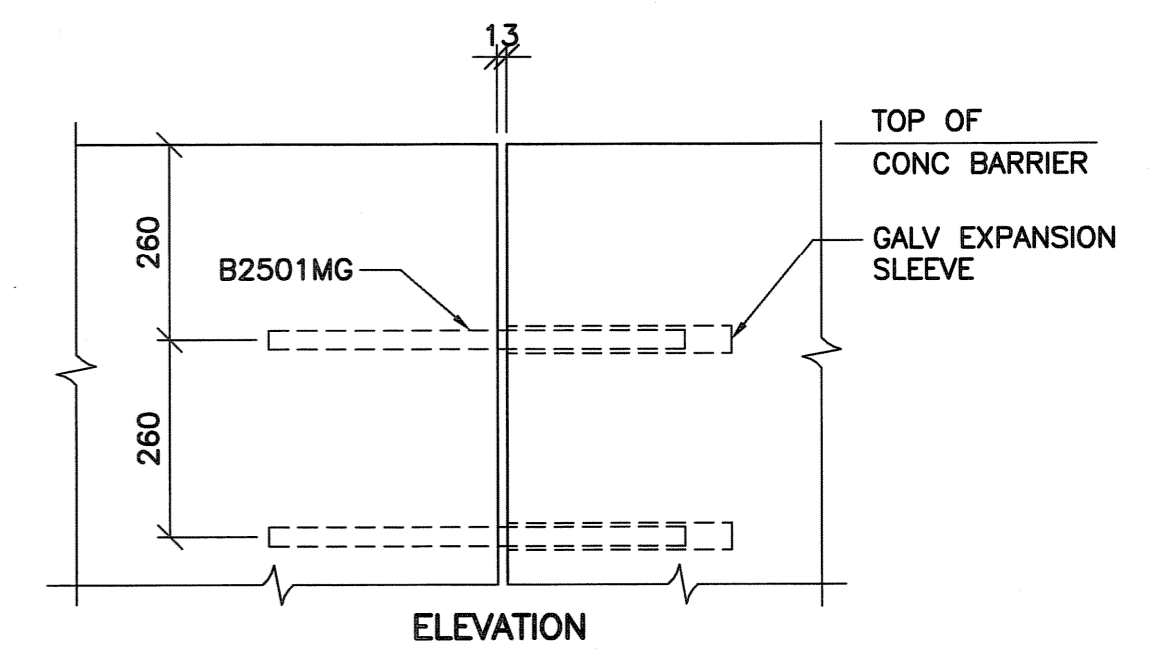
**4** DETAIL - STREET LIGHT CONC BASE  
1 : 10  
- SEE SHEET 43 FOR LOCATIONS AND DETAILS



**5** PRESET ANCHORAGE ASSEMBLY  
DGR-2FS 292mm BCD  
1 : 10  
- ASSEMBLY TO BE GALVANIZED ACCORDING TO CAN/CSA-G164-M92  
- STUDS TO BE HI-TENSILE MATERIAL AND WITH IMPERIAL THREAD

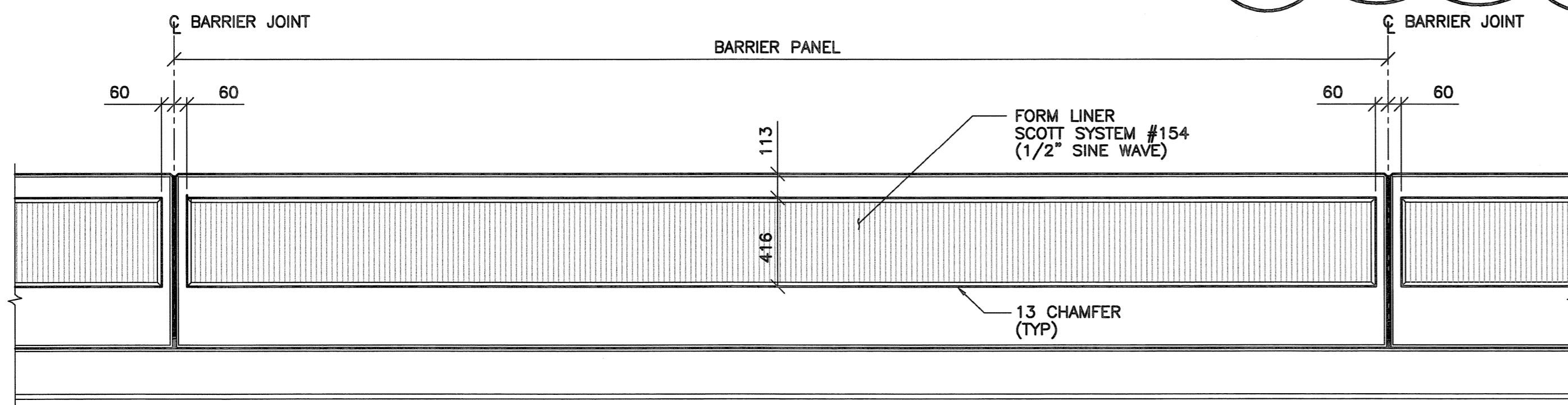


PLAN/SECTION

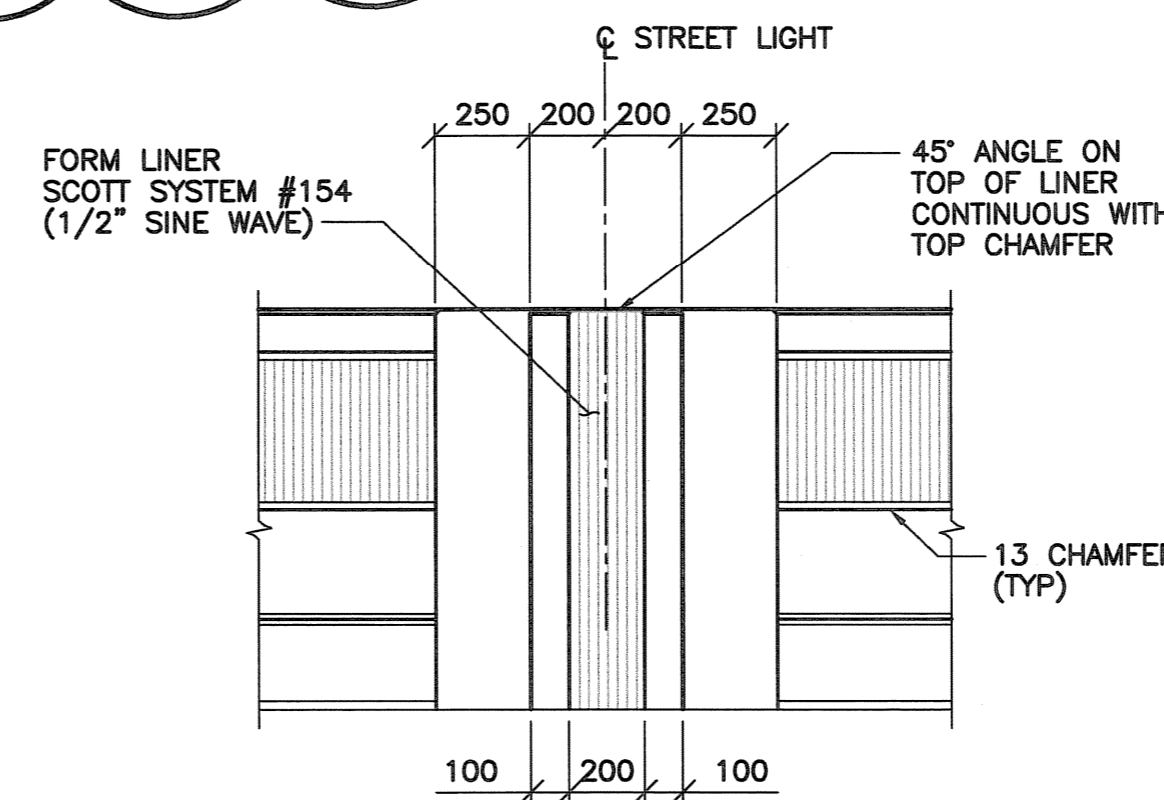


ELEVATION

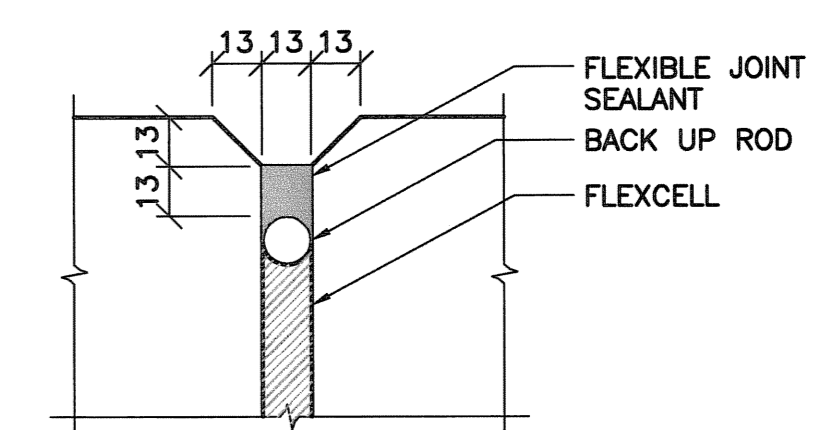
**6** BARRIER JOINT DETAIL  
1 : 10  
- GALVANIZED PLAIN BAR AND EXPANSION SLEEVE TO BE LOCATED AT ALL CONCRETE BARRIER JOINTS, HELD IN PLACE SECURELY BY A WOODEN TEMPLATE DURING CONCRETE PLACEMENT.  
- REINFORCING STEEL NOT CONTINUOUS THROUGH JOINTS.



**7** CONCRETE BARRIER ELEVATION  
1 : 20



**8** STREET LIGHT BASE ELEVATION  
1 : 20



**9** DETAIL  
1 : 2



B.M. ELEV.	F.B.	<b>WARDROP</b> Engineering Inc.		ORIGINAL DRAWING REVISION "00" SEALED BY E.F. SHEHATA 08.02.05
		DESIGNED BY E.F.S.	CHECKED BY [Signature]	
		DRAWN BY P.S./G.I.	APPROVED BY [Signature]	
		HOR. SCALE: AS NOTED	ACCEPTED BY [Signature]	DATE
01 ISSUED FOR ADDENDUM #2	08.03.05			
00 ISSUED FOR TENDER	08.02.05	E.F.S.		
NO. REVISIONS	DATE	BY	DATE	08.02.05
				BRIDGE PROJECTS ENGINEER
				CONSULTANT DRAWING NO. 0600070700-DWG-S1132-00

**THE CITY OF WINNIPEG**  
PUBLIC WORKS DEPARTMENT  
TRANSPORTATION ENGINEERING DIVISION

**Winnipeg**

**FORT GARRY TWIN BRIDGES**  
WESTBOUND STRUCTURE REHABILITATION  
AND ASSOCIATED ROADWORKS

CITY DRAWING NUMBER  
**B173-08-032W**  
SHEET 32 OF 54

**CONCRETE BARRIER**  
SECTIONS AND DETAILS

**32**