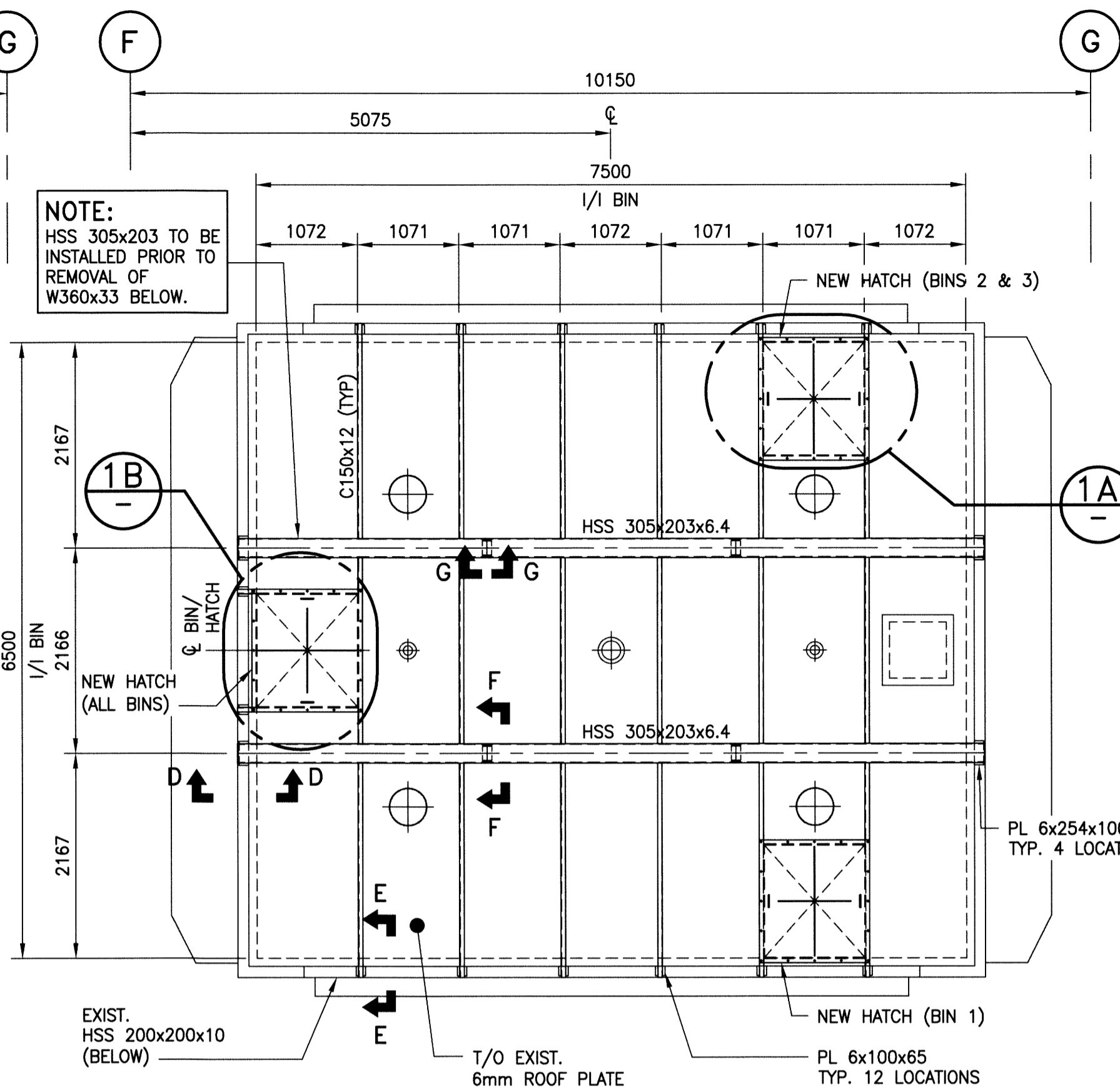
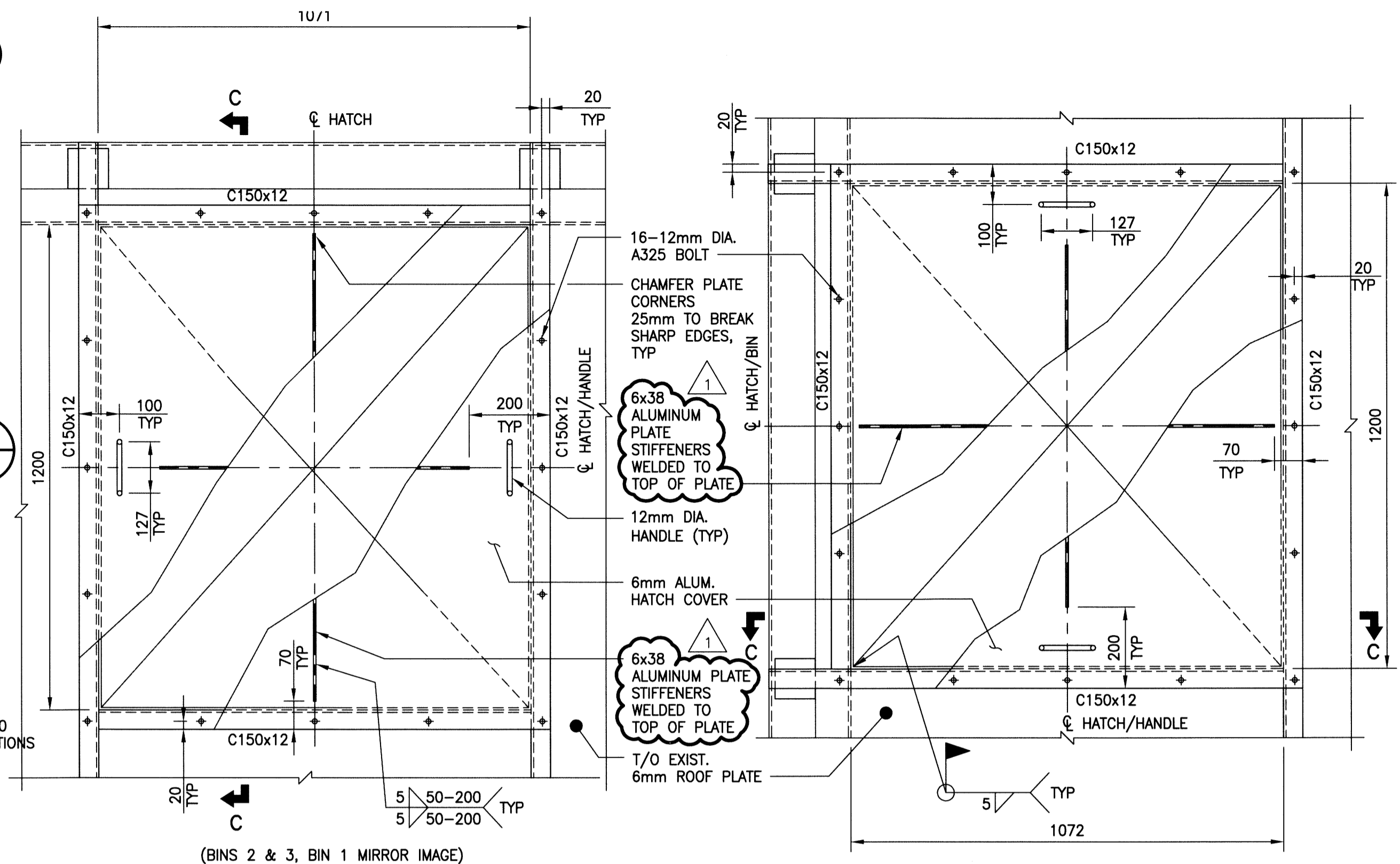


(B) SECTION
S01 SCALE: 1:50

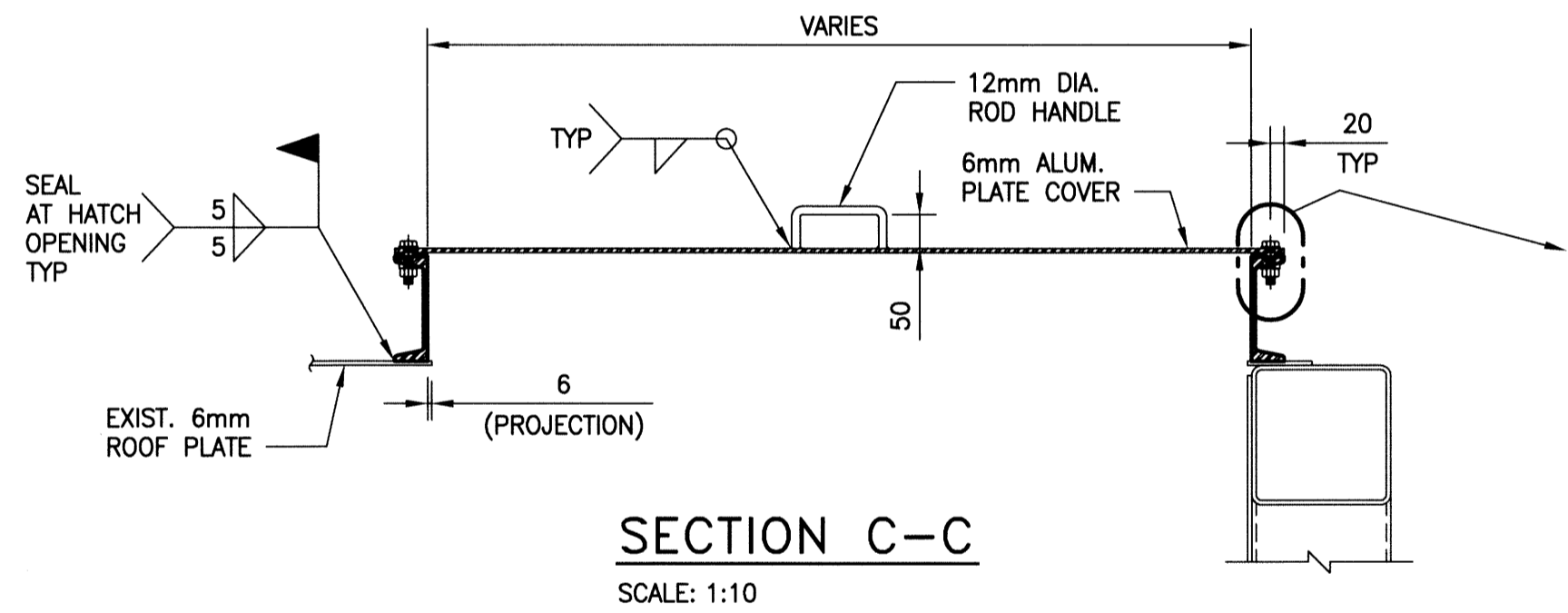


(B1) SECTION
S01 SCALE: 1:50

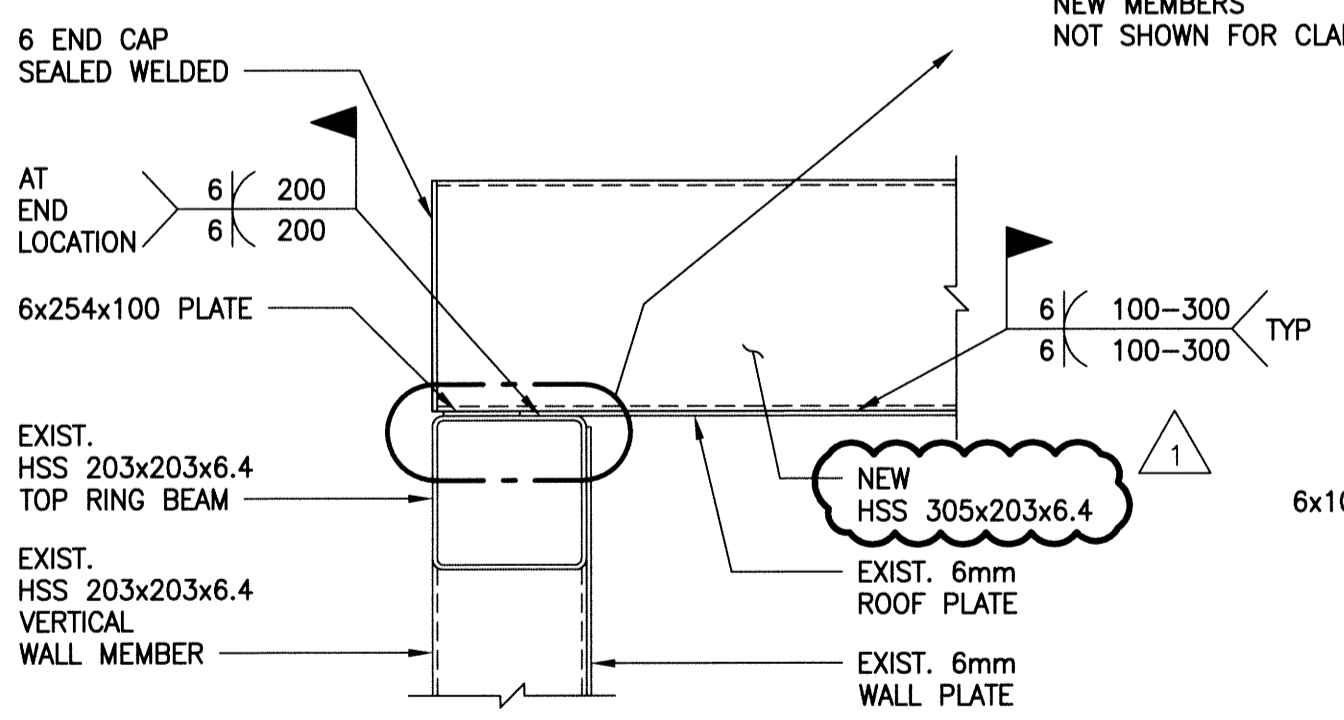
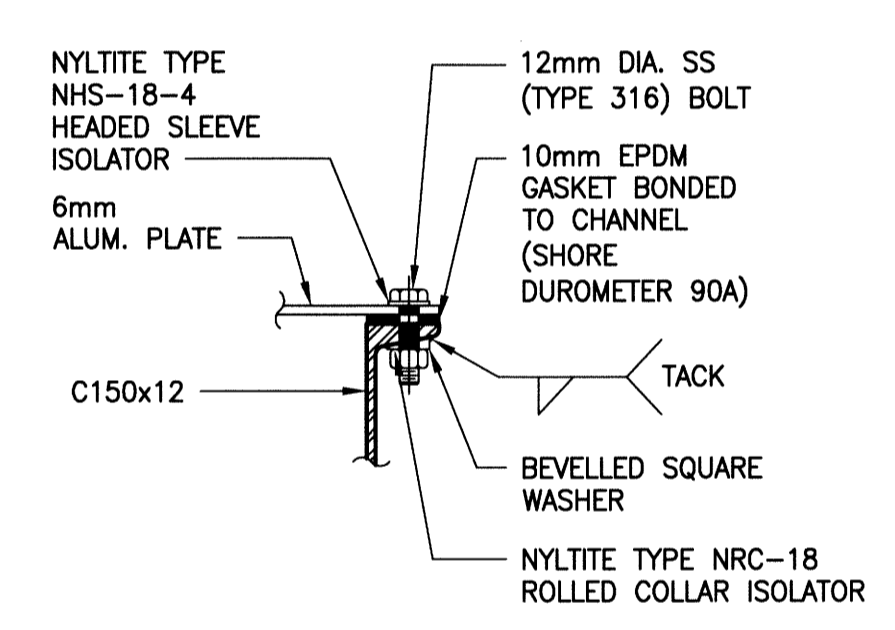


(1A) DETAIL - ROOF HATCH
SCALE: 1:10

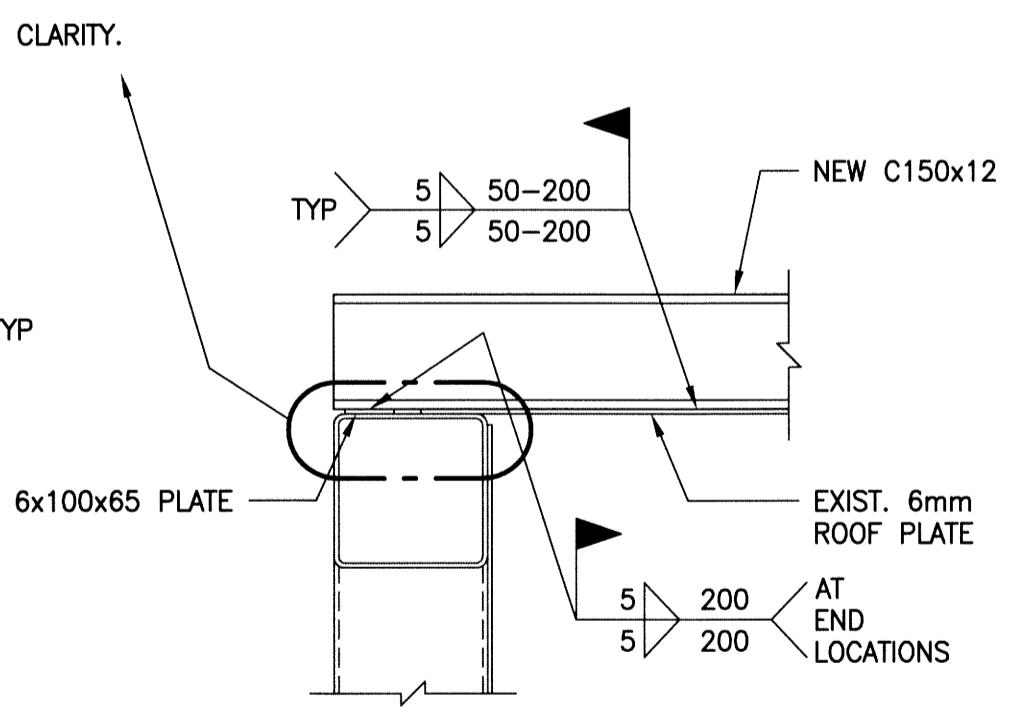
(1B) DETAIL - ROOF HATCH
SCALE: 1:10



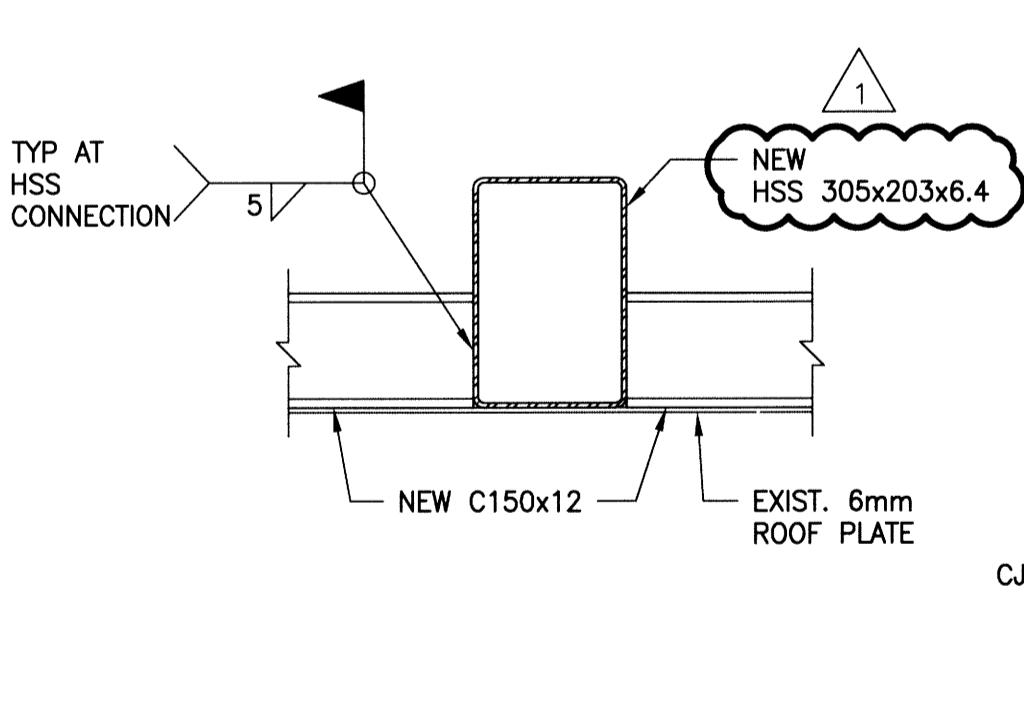
SECTION C-C
SCALE: 1:10



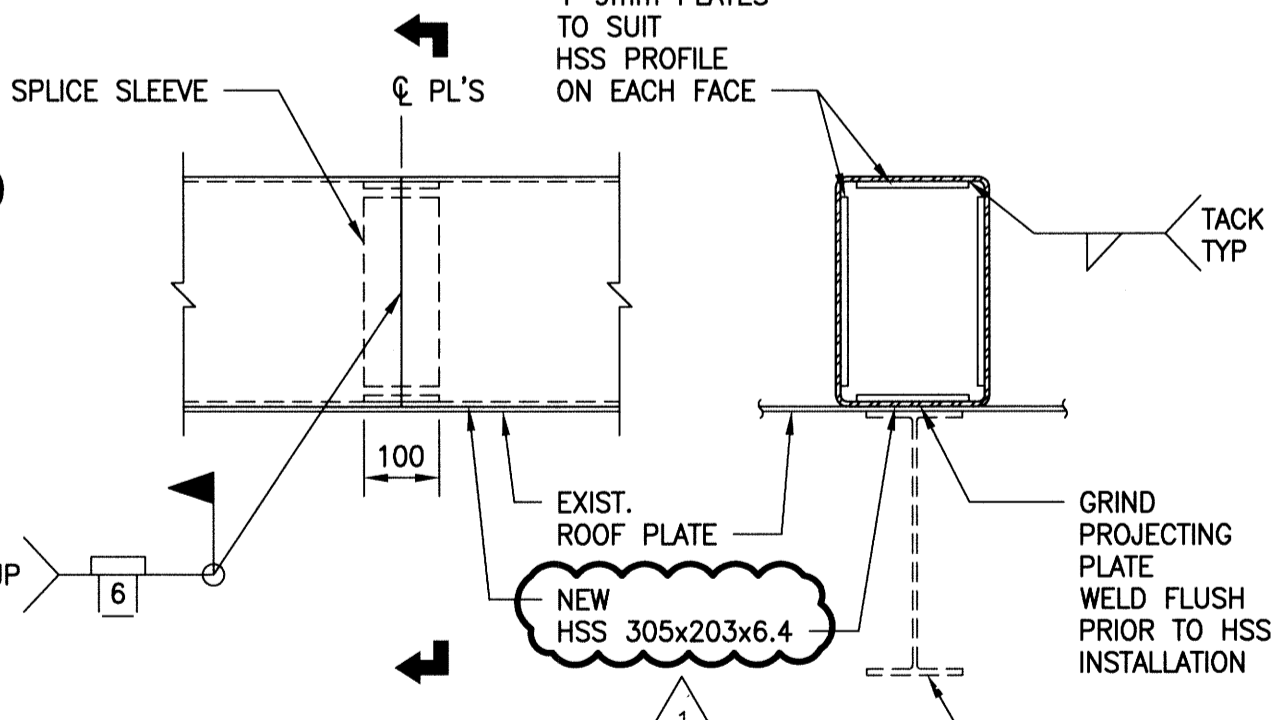
SECTION D-D
SCALE: 1:10



SECTION E-E
SCALE: 1:10



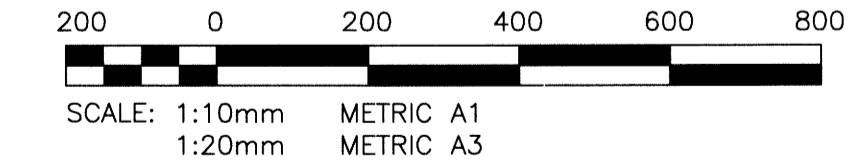
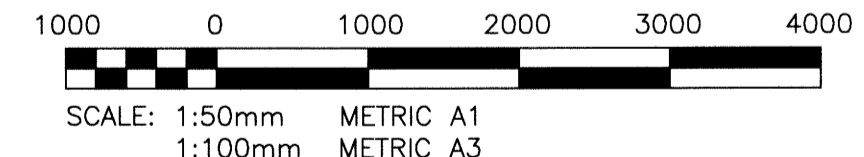
SECTION F-F
SCALE: 1:10



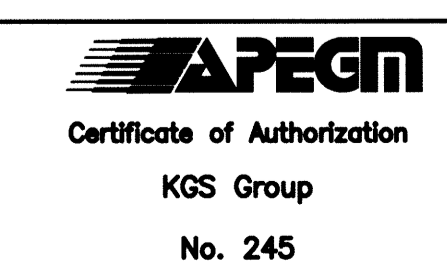
SECTION G-G
SCALE: 1:10

NOTE:
CLAMP EXIST. ROOF PLATE TIGHT TO NEW SUPPORT BEAMS PRIOR TO WELDING.

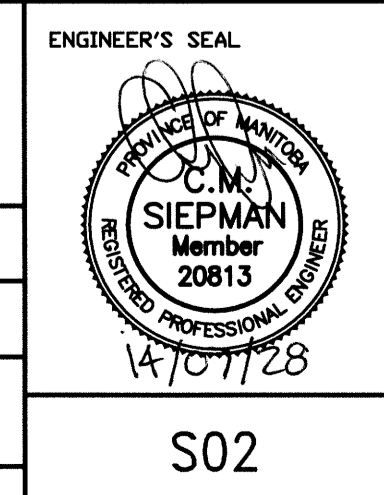
DRAWINGS SHALL BE READ IN CONJUNCTION WITH THE PROJECT TECHNICAL SPECIFICATIONS.



METRIC
WHOLE NUMBERS INDICATE MILLIMETRES
DECIMALIZED NUMBERS INDICATE METRES



FIELD BOOK #		KGS GROUP CONSULTING ENGINEERS		ENGINEER'S SEAL C.M. SIEPMAN Member 20813 14/07/15	
POSTED TO LBIS		DESIGNED BY	KRD	CHECKED BY	CMS
		DRAWN BY	FBV	APPROVED BY	
1	RE-ISSUED FOR CONSTRUCTION	14/07/15	CMS	HR. SCALE	AS NOTED
0	ISSUED FOR CONSTRUCTION	14/07/15	CMS	VERTICAL	AS NOTED
NO.	REVISIONS	DATE	BY	DATE	2014 04 23



THE CITY OF WINNIPEG
WATER AND WASTE DEPARTMENT

NEWPC
SLUDGE CAKE STORAGE BIN REPAIRS
ROOF REPAIR
SECTIONS & DETAILS

SHEET 1 OF 1
CITY DRAWING NUMBER
1-0101W-S0002-001