

QUOTE / SALES ORDER Q134002	PRODUCT LINE TABLES	REV. RELEASED FOR QUOTE	DESCRIPTION	DATE 5/21/20	DRAWN BY JD
DRAWING NO. Q134002-B TB1B - TABLE DETAIL DRAWING		A			
CAD FILE Q134002.dwg		B			
UNITS INCHES		C			
DRAWN BY	REVIEWED BY C.S. ORDER ENTRY - PRINT NAME	D			
		E			
		F			

AD.2
spec

FOR QUOTING PURPOSES

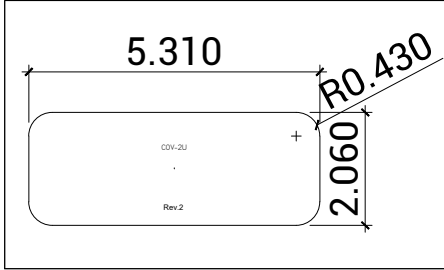
NOT TO SCALE

CONCEPT DRAWING
ONLY. DO NOT
RELEASE FOR
PRODUCTION

NOTES

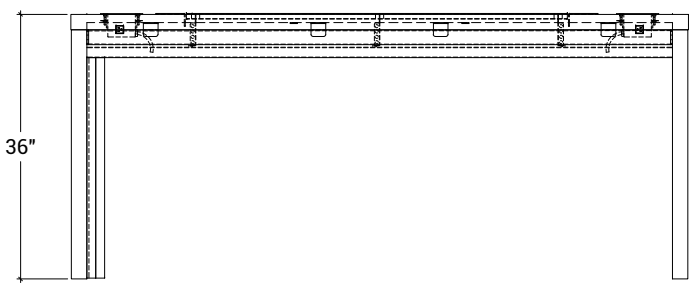
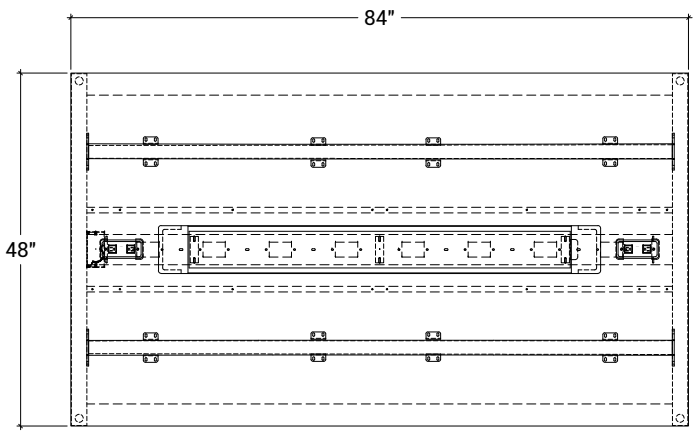
- EZ TABLE SIZE: CUSTOM 48 x 84 x 36 "H
- EDGE DETAIL: PBM
- BASE: (2) EZEPRVWM
- EZ TROUGH: (2) 79.64" - CUSTOM W/ (4) FACTORY STRETCHERS
- CENTER BASE: (1) EZEP
- ELECTRICAL: (2) COVE 2 POWER, 1 CONVENIENCE W/ (1) 60" ACCESS DOOR -ACD-1204
- HARDWARE: (1) TROUGH COVER ACD-1199

CUSTOMER VIEWED AND SIGNED OFF
CUSTOMER _____ DATE _____

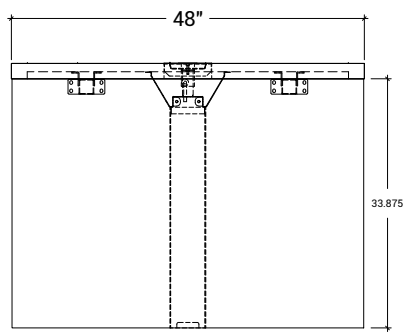


ELECTRICAL CUTOUT

TOP/PLAN VIEW



FRONT VIEW



SIDE VIEW