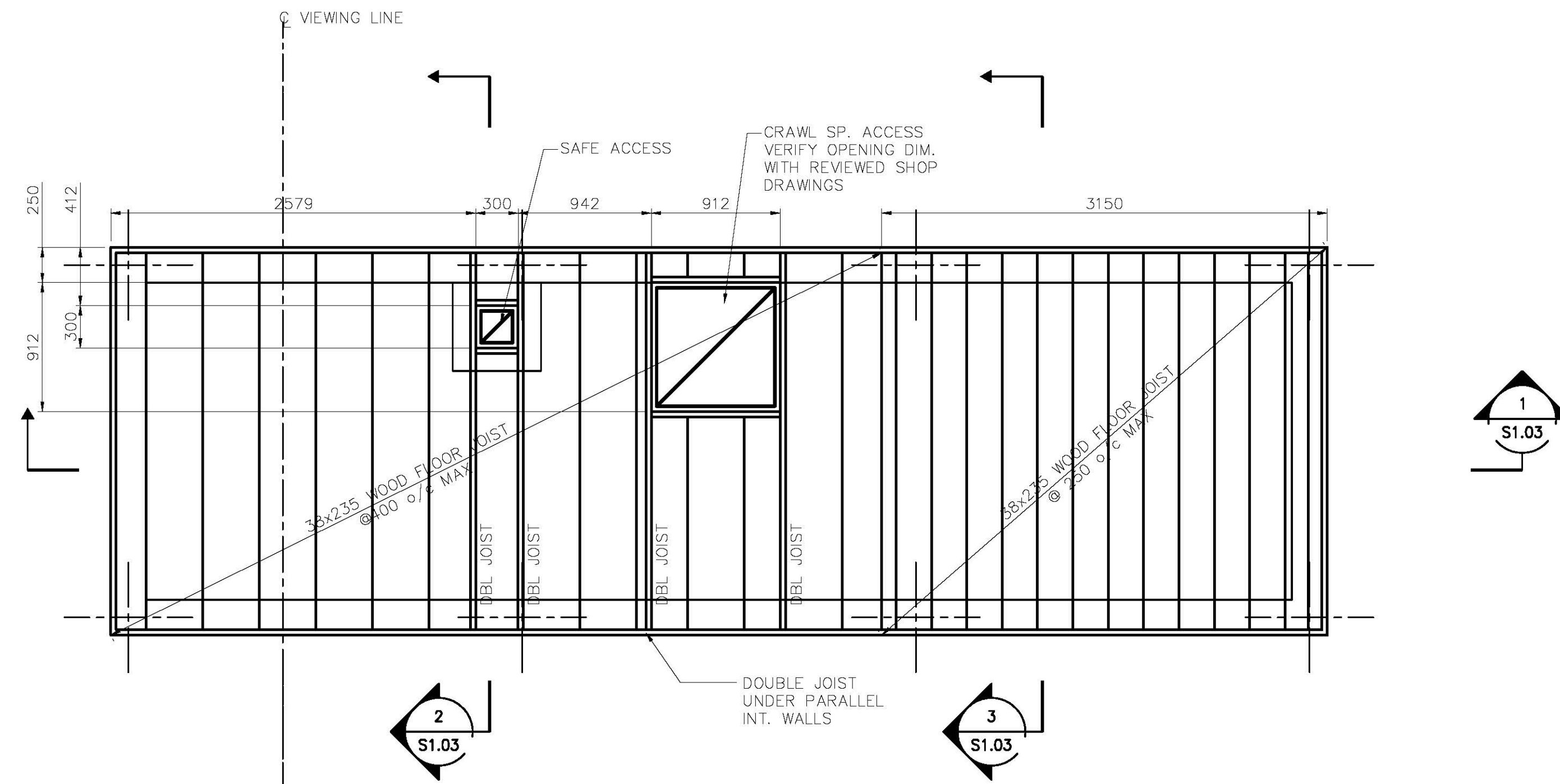
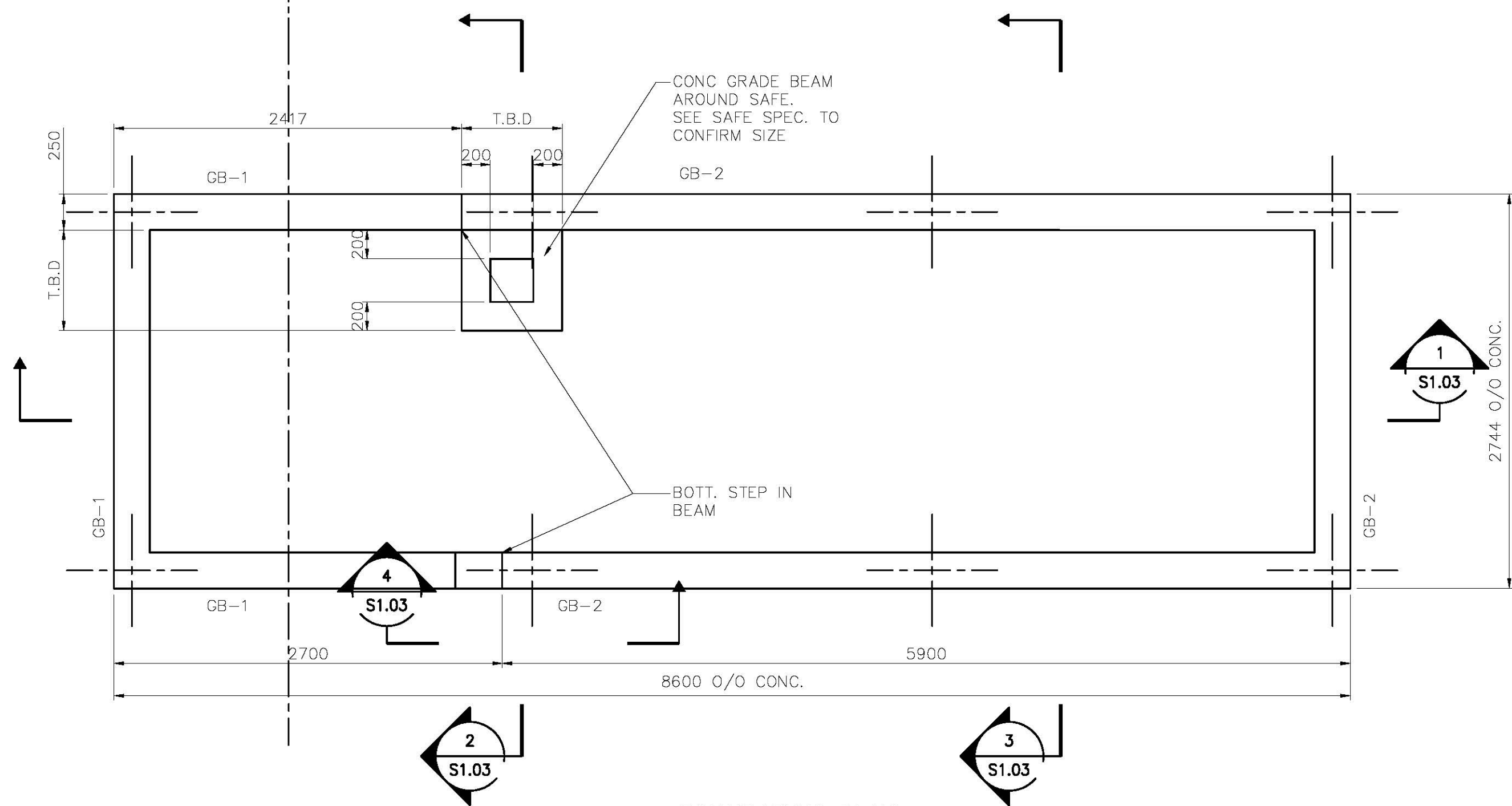


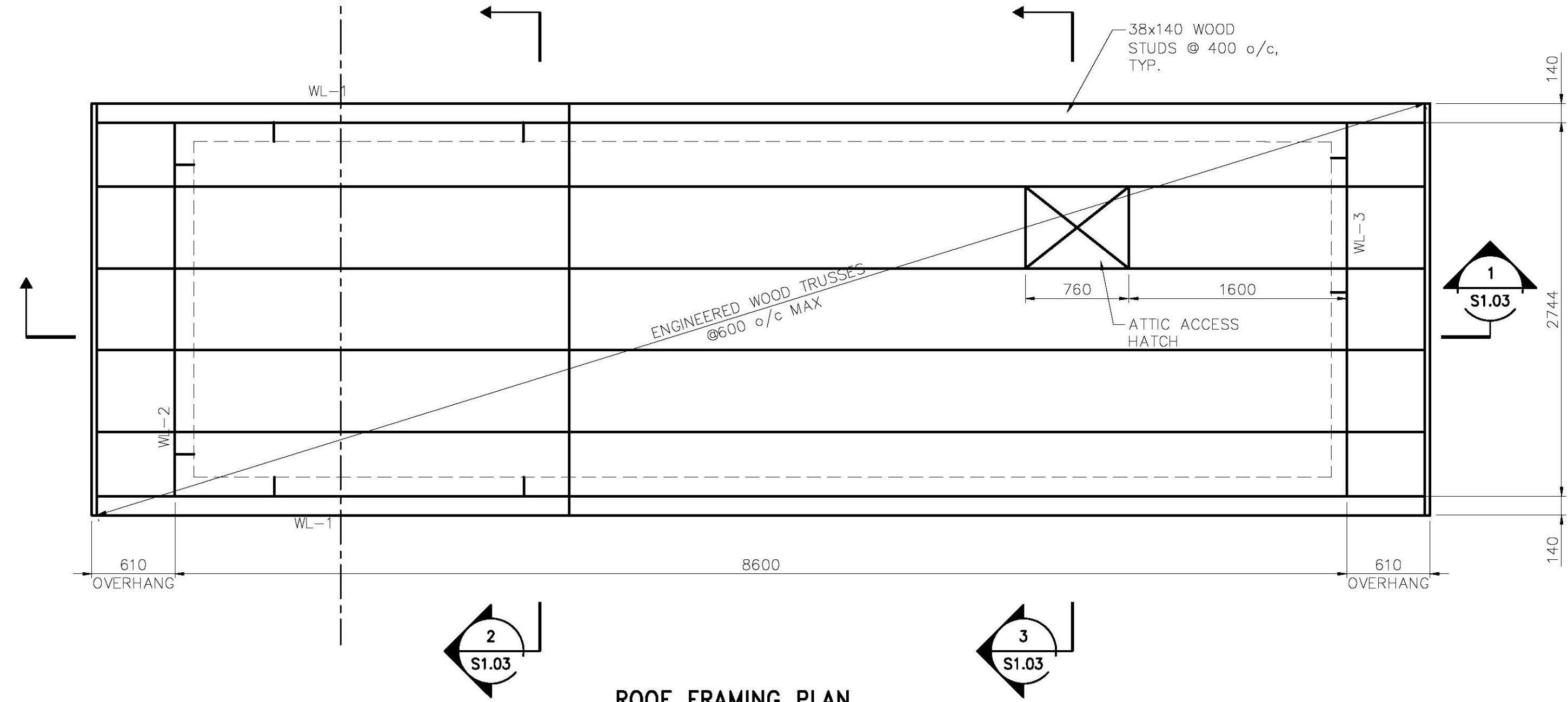
PILING PLAN
1:30



MAIN FLOOR FRAMING PLAN
1:30



FOUNDATION PLAN
1:30

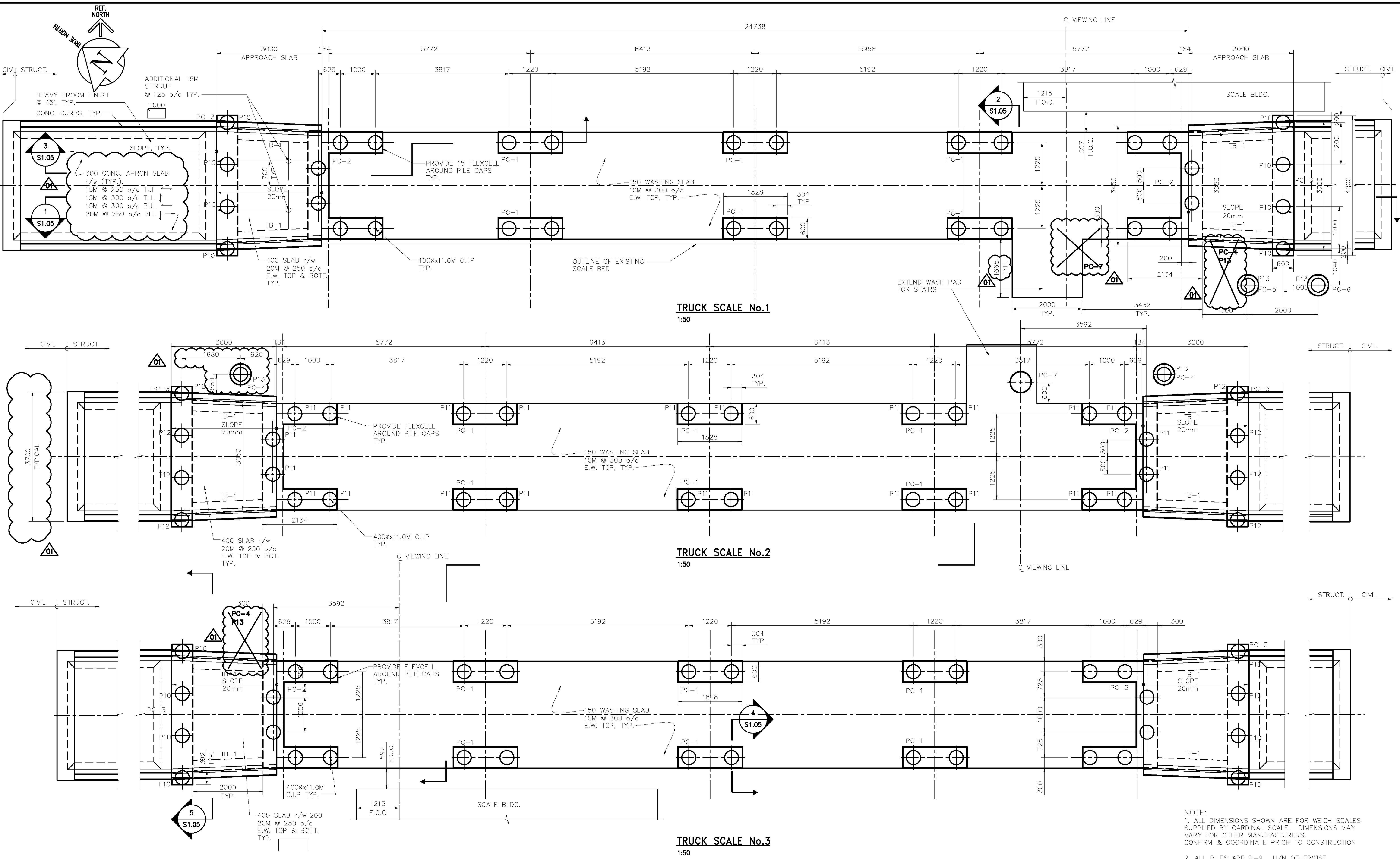


ROOF FRAMING PLAN
1:30

DESIGN LOADS

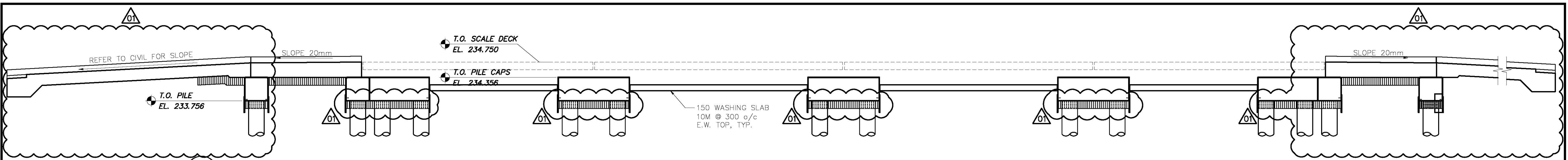
1. DEAD LOADS:
 - .1) STRUCTURE SELF WEIGHT
 - .2) ROOFING = 1.0 kPa
 - .3) MECHANICAL LOAD = 1.0 kPa
 - .4) FLOORING = 1.0 kPa
 - .5) SEWAGE TANK = 0.5 kPa
 - .6) WATER TANK = 0.75 kPa
2. LIVE LOADS:
 - .1) GROUND SNOW LOAD - $S_s = 1.9 \text{ kPa}$
 $S_r = 0.2 \text{ kPa}$
MODIFY FOR EXPOSURE AND DRIFT AS PER NBC 2005.
 - .2) **SLOPE ROOF - PARAPETS VARYING**
 - .3) FLOOR = 4.8 kPa
 - .4) SEWAGE TANK = 6.0 kPa
 - .5) WATER TANK = 16.0 kPa
 - .6) GRATING = 4.8 kPa
 - .7) SCALE TRAFFIC GUARD = 22 kN (HORIZ. FORCE)

 Certificate of Authorization Earth Tech Canada Inc. No. 730	B.M. ELEV.	 Frederickson Cooper ARCHITECTS	 EarthTech A Tyco International Ltd. Company	ENGINEER'S SEAL	 THE CITY OF WINNIPEG WATER AND WASTE DEPARTMENT SOLID WASTE SERVICES DIVISION BRADY RD. LANDFILL NEW ENTRANCE AND SCALE FACILITY	CITY FILE NUMBER
	DESIGNED BY LLR/GGP	CHECKED BY GGP	ORIGINAL SIGNED BY M. KLASSEN	2007/07/20		SHEET OF
DRAWN BY KK	APPROVED BY TGS	SCALE: AS NOTED	RELEASED FOR CONSTRUCTION BY: V. JEANCART	CONSULTANT DRAWING NO. S1.02	CITY DRAWING NUMBER SWD-D-380	STRUCTURAL PILING, FOUNDATION MAIN FLOOR AND ROOF PLANS
NO. REVISIONS	DATE BY	DATE 2006/07/24	DATE 2007/07/20			

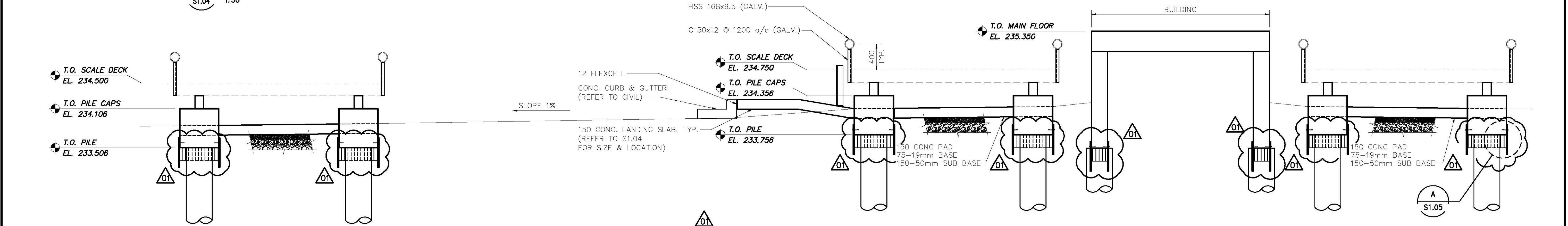


NOTE:
 1. ALL DIMENSIONS SHOWN ARE FOR WEIGH SCALES SUPPLIED BY CARDINAL SCALE. DIMENSIONS MAY VARY FOR OTHER MANUFACTURERS. CONFIRM & COORDINATE PRIOR TO CONSTRUCTION
 2. ALL PILES ARE P-9, U/N OTHERWISE.

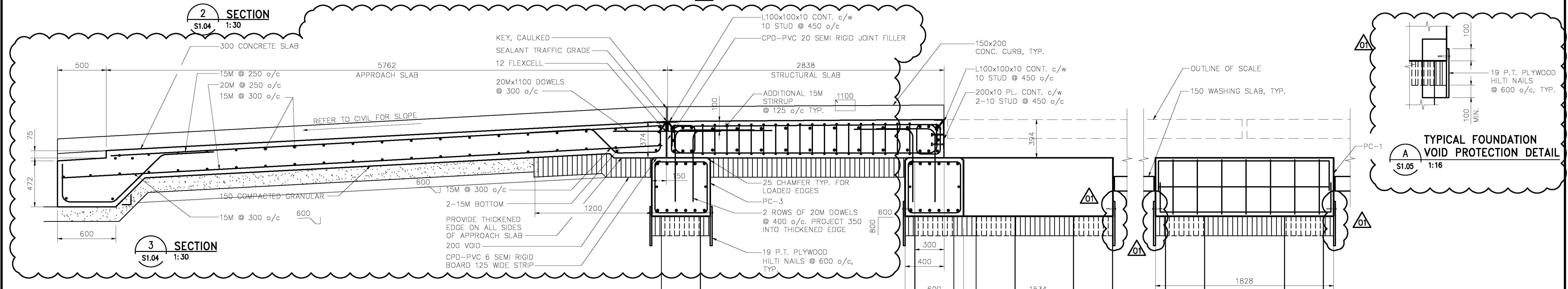
<p>APEGM Certificate of Authorization Earth Tech Canada Inc. No. 730</p>	B.M. ELEV.			ENGINEER'S SEAL	<p>THE CITY OF WINNIPEG WATER AND WASTE DEPARTMENT SOLID WASTE SERVICES DIVISION</p> <p>BRADY RD. LANDFILL NEW ENTRANCE AND SCALE FACILITY</p> <p>STRUCTURAL TRUCK SCALE FOUNDATION PLANS</p>	CITY FILE NUMBER
	DESIGNED BY LLR/GGP	CHECKED BY GGP	ORIGINAL SIGNED BY M. KLASSEN	CITY OF WINNIPEG		
	DRAWN BY KK	APPROVED BY TGS	2007/07/20	SHEET OF		
	SCALE: AS NOTED	RELEASED FOR CONSTRUCTION BY: V. JEANCART	CONSULTANT DRAWING NO. S1.04	CITY DRAWING NUMBER SWD-D-382		
NO. REVISIONS	DATE BY	DATE 2006/07/24	DATE 2007/07/20			



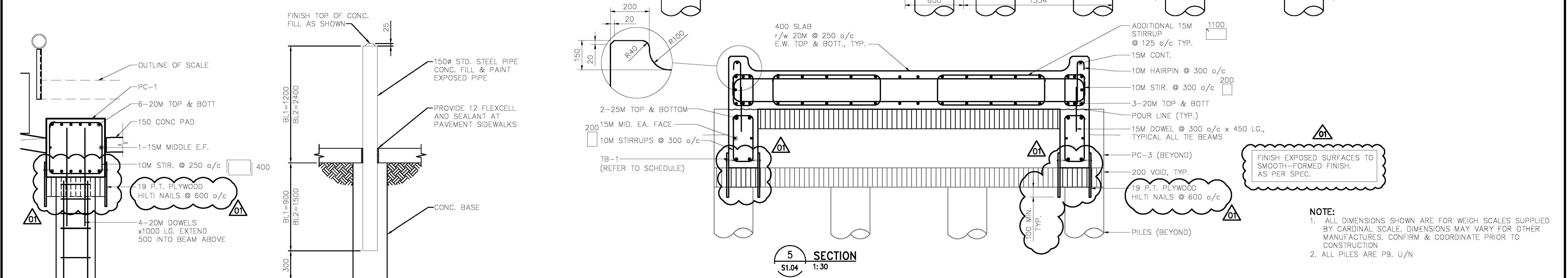
1 SECTION
S1.04 1:50



2 SECTION
S1.04 1:30



3 SECTION
S1.04 1:30



5 SECTION
S1.04 1:30

4 SECTION
S1.04 1:20

TYP. EXTERIOR BOLLARD
SCALE 1:20

APEGA
Certificate of Authorization
Earth Tech Canada Inc.
No. 730

B.M. ELEV.			
DESIGNED BY	LLR/GGP	CHECKED BY	GGP
DRAWN BY	KK	APPROVED BY	TGS
SCALE:	AS NOTED	RELEASED FOR CONSTRUCTION BY:	V. JEANCART
ISSUED FOR TENDER	07/07/31	DATE	07/07/20
NO. REVISIONS		DATE	

Frederickson Cooper ARCHITECTS

EarthTech
A Tyco International Ltd. Company

ENGINEER'S SEAL

ORIGINAL SIGNED BY
M. KLASSEN
2007/07/20

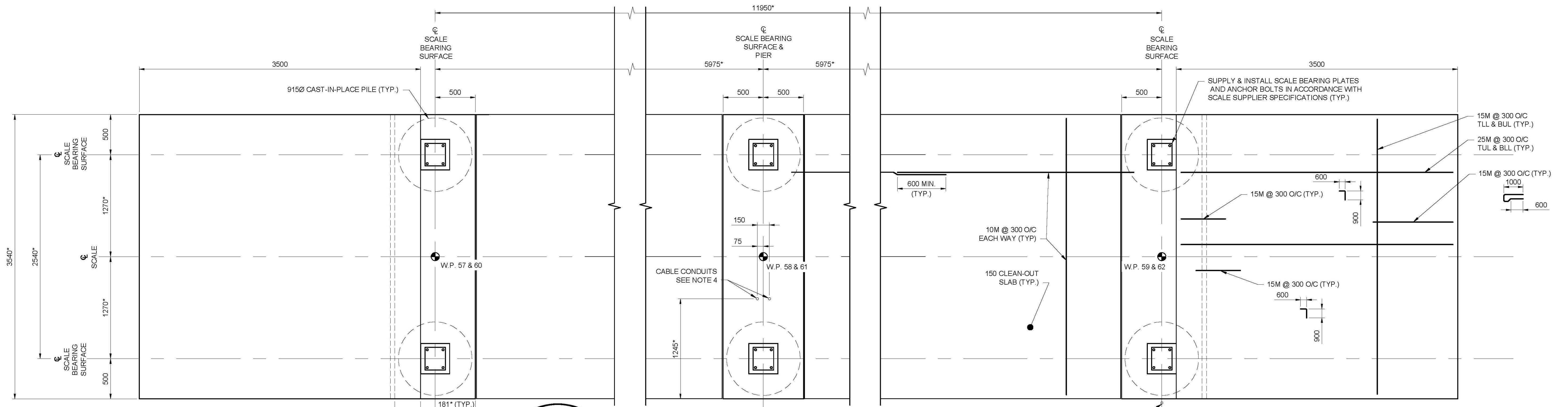
CONSULTANT DRAWING NO.
S1.05

THE CITY OF WINNIPEG
WATER AND WASTE DEPARTMENT
SOLID WASTE SERVICES DIVISION

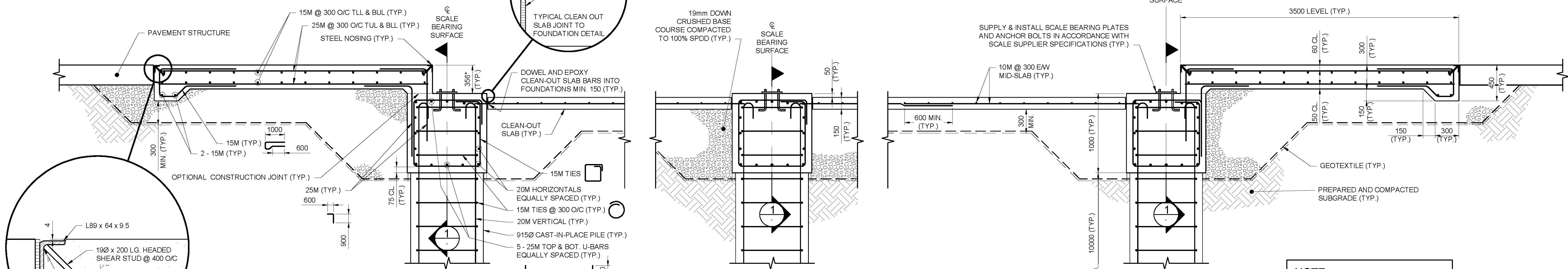
BRADY RD. LANDFILL
NEW ENTRANCE AND
SCALE FACILITY

STRUCTURAL
TRUCK SCALE SECTIONS
STANDARD DETAILS

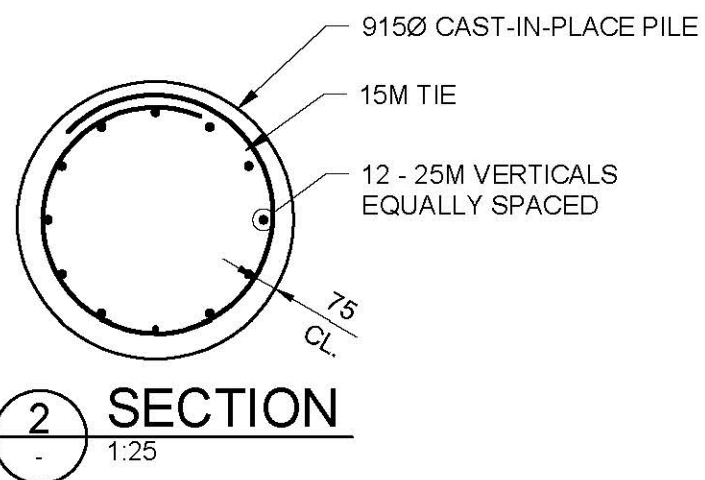
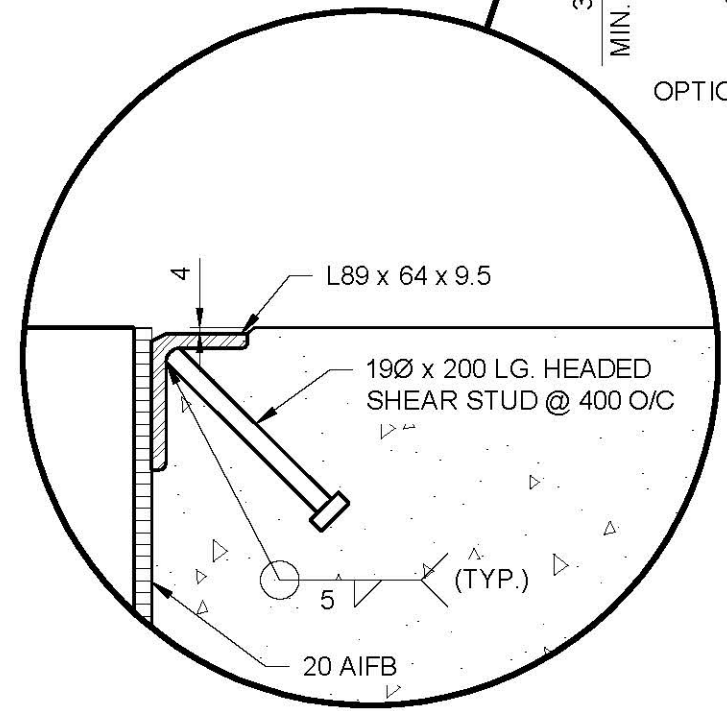
CITY FILE NUMBER
SHEET OF
CITY DRAWING NUMBER
SMD-D-383



PLAN
1:25



ELEVATION
1:25



SECTION
1:25

SCALE FOUNDATIONS WORKING POINT COORDINATES		
UTM GRID COORDINATE SYSTEM		
W.P. No.	NORTHING	EASTING
W.P. 57	5 512 909.338	628 707.127
W.P. 58	5 512 909.463	628 713.100
W.P. 59	5 512 909.588	628 719.074
W.P. 60	5 512 917.654	628 711.179
W.P. 61	5 512 917.779	628 717.153
W.P. 62	5 512 917.904	628 723.127

* W.P. 57, 58 & 59 REPRESENT INBOUND SCALE FOUNDATIONS, W.P. 60, 61 & 62 REPRESENT OUTBOUND SCALE FOUNDATIONS. VERIFY DIMENSIONS IN ACCORDANCE WITH SCALE SUPPLIER SPECIFICATIONS.

NOTE:
* VERIFY DIMENSION IN ACCORDANCE WITH SCALE SUPPLIER SPECIFICATIONS

GENERAL NOTES FOR SCALE FOUNDATIONS:

1. STEEL NOSING ASSEMBLY TO BE HOT DIP GALVANIZED.
2. FINISH TOP OF BEARING SEAT AREAS TO ENSURE POSITIVE DRAINAGE (APPROX. 0.5% SLOPE) AWAY FROM BACK WALL AND MISCELLANEOUS EMBEDDED ITEMS.
3. CONTRACTOR SHALL PROVIDE DETAILED SHOP DRAWINGS FOR SCALE FOUNDATIONS INCLUDING REINFORCING, CONDUIT & EMBEDDED ITEMS. SHOP DRAWINGS SHALL BE REVIEWED BY CONTRACT ADMINISTRATOR AND SCALE SUPPLIER PRIOR TO FABRICATION.
4. CONDUIT SIZE, MATERIAL & MIN. ELBOW RADIUS SHALL BE IN ACCORDANCE WITH SCALE SUPPLIER SPECIFICATIONS.

G:\CAD\DWG\138224-09-SCALE FOUNDATIONS 1.dwg

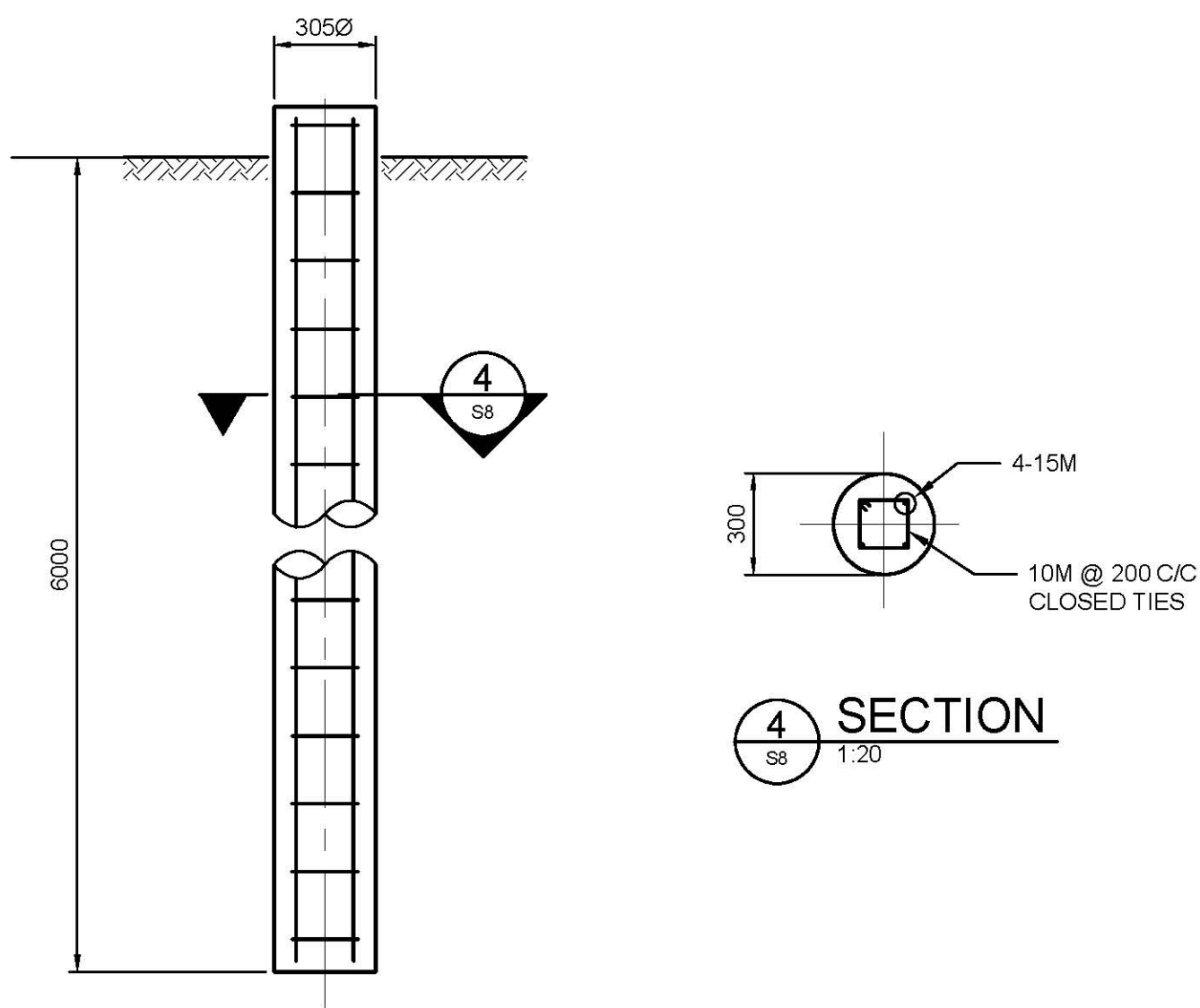
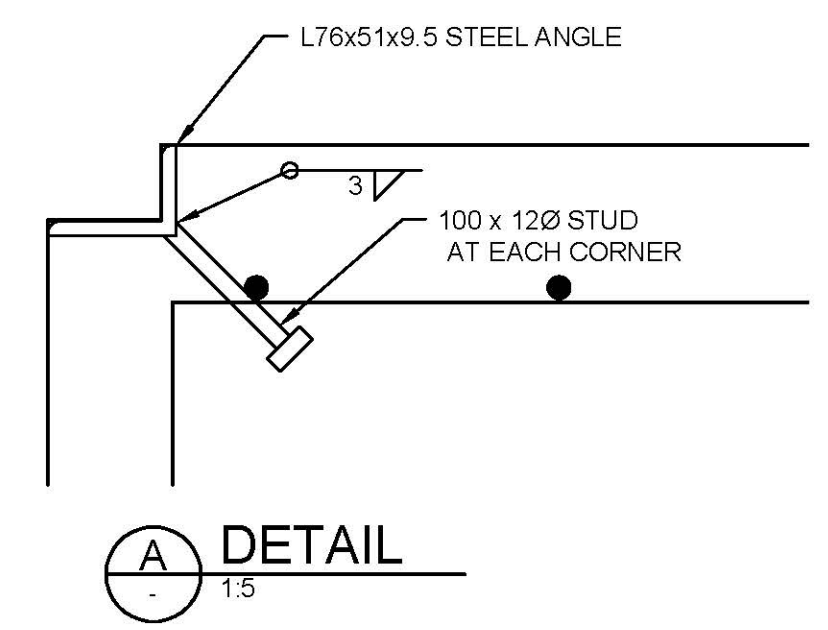
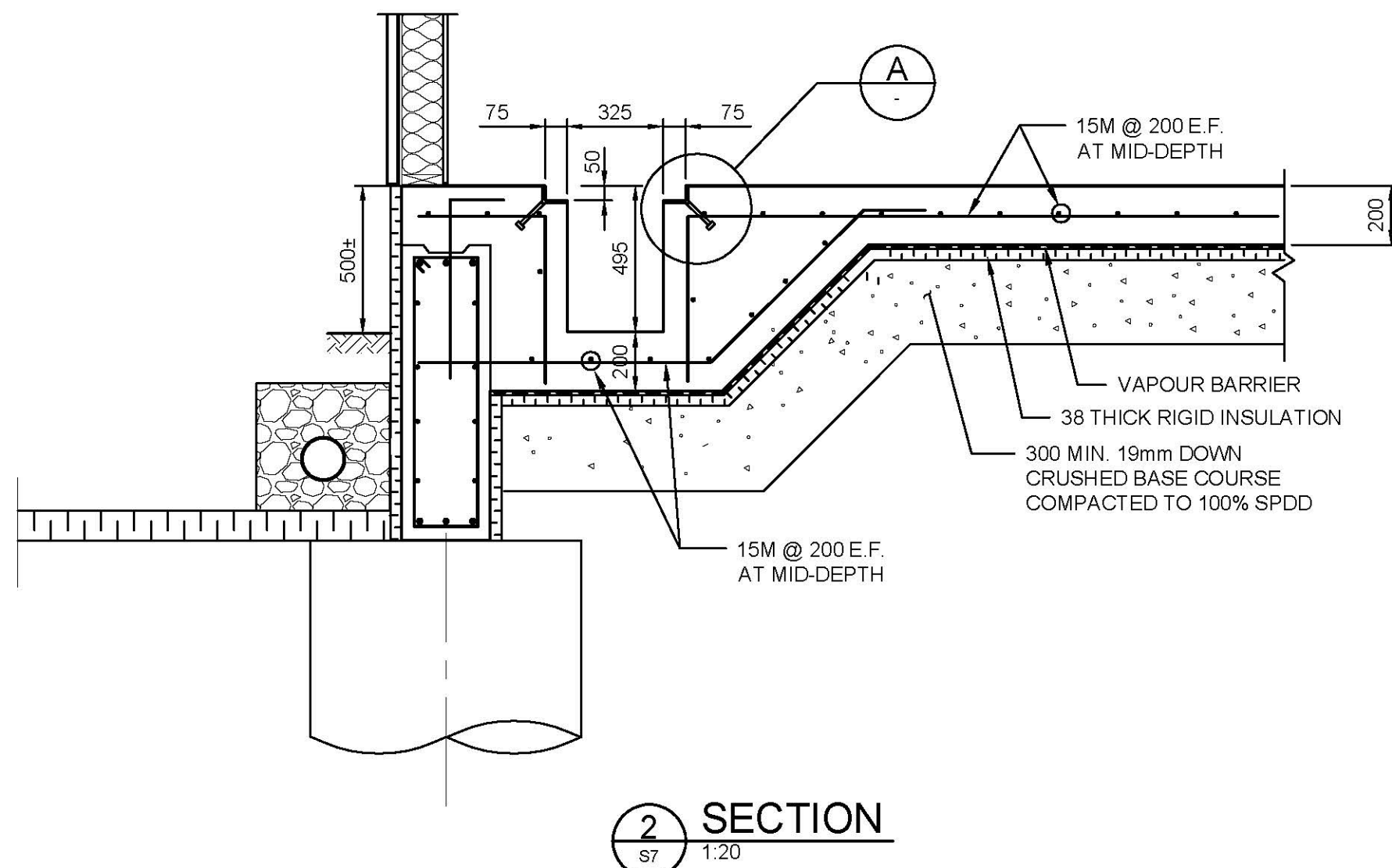
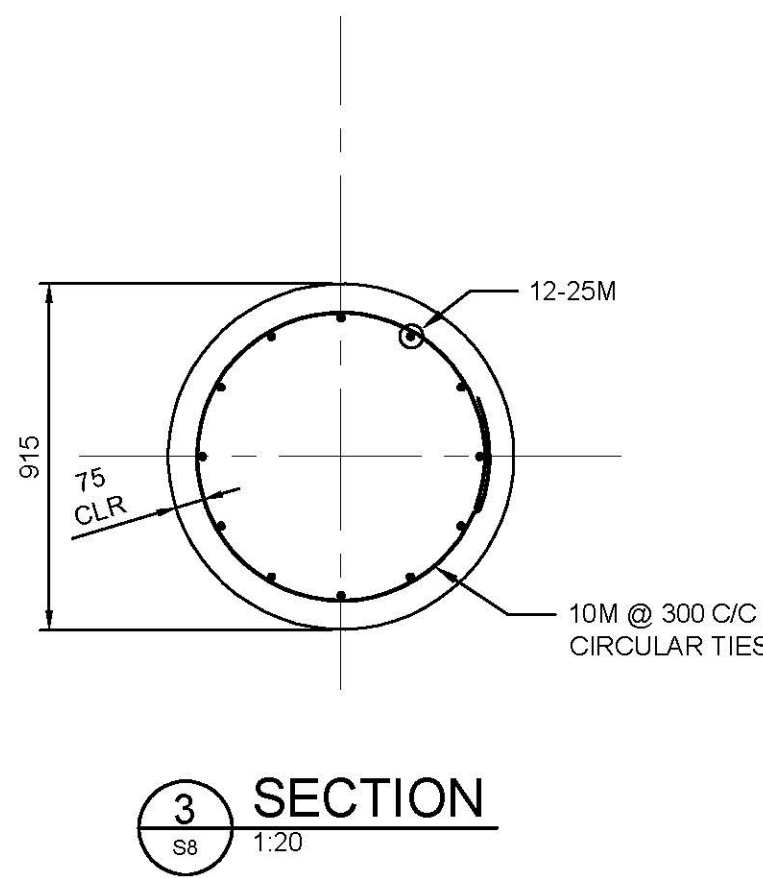
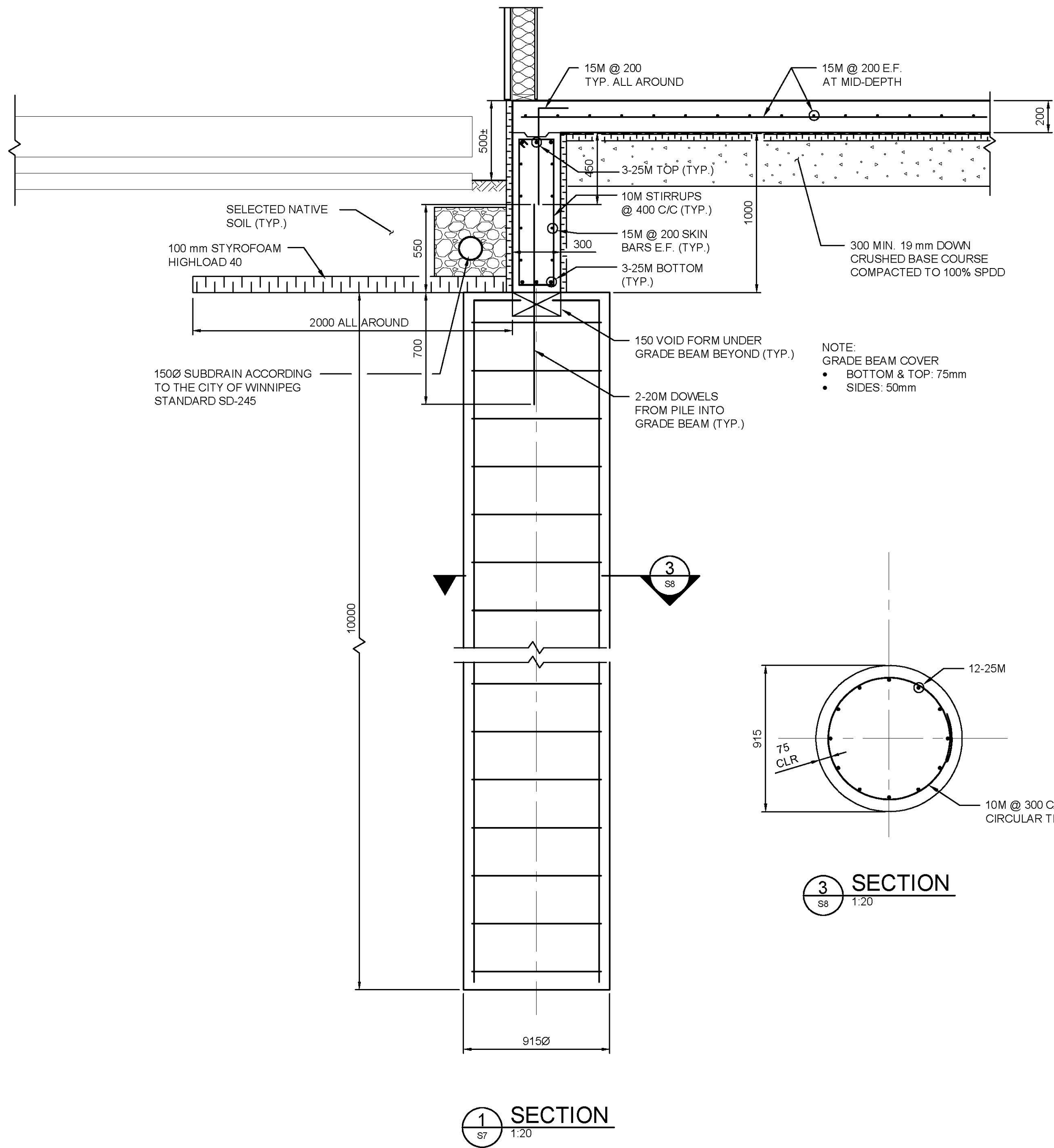
APEGM
Certificate of Authorization
Dillon Consulting Limited (MB)
No. 1789 Date: 2014/06/19

B.M. ELEV.	DESIGNED BY	CDW
	DRAWN BY	KB
	CHECKED BY	SSR
	APPROVED BY	ARR
	HOR. SCALE	AS NOTED
	VERTICAL	
1 ISSUED FOR TENDER	14/09/19	ARR
NO. REVISIONS	DATE	BY
	DATE	MARCH 2014

DILLON CONSULTING

ENGINEER'S SEAL
PROVINCE OF MANITOBA
C.D. WARD
2014/06/19
Member 24456
REGISTERED PROFESSIONAL ENGINEER
CONSULTANT PROJECT NUMBER
13-8224

THE CITY OF WINNIPEG
Winnipeg
WATER AND WASTE DEPARTMENT
4R WINNIPEG DEPOT
BRADY ROAD RESOURCE
MANAGEMENT FACILITY
SCALE FOUNDATIONS
PLAN AND DETAILS
CITY DRAWING NUMBER
1-0400A-S0004-001
SHEET 13 OF 35
CONSULTANT DRAWING NUMBER
S6



PILES
1:20
TYPICAL FOR PLATFORMS AND STAIRS

APEGM
Certificate of Authorization
Dillon Consulting Limited (MB)
No. 1789 Date: 2014/06/19

METRIC
WHOLE NUMBERS INDICATE MILLIMETRES
DECIMALIZED NUMBERS INDICATE METRES

B.M. ELEV.	DESIGNED BY	B.W.D.				4R WINNIPEG DEPOT BRADY ROAD RESOURCE MANAGEMENT FACILITY	CITY DRAWING NUMBER	1-0400A-S0006-001
	DRAWN BY	J.Z.H.					SHEET	15 OF 35
	CHECKED BY	SSR					CONSULTANT DRAWING NUMBER	S8
	APPROVED BY	ARR						
	HOR. SCALE	AS NOTED	RELEASED FOR CONSTRUCTION	CONSULTANT PROJECT NUMBER	13-8224			
	VERTICAL		DATE					
1	ISSUED FOR TENDER	14/09/19	ARR	DATE	MARCH 2014			
NO.	REVISIONS	DATE	BY	DATE				