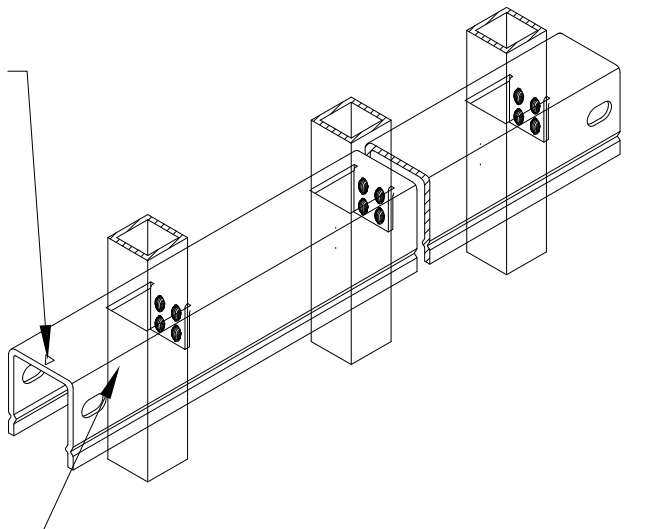


1

MOTORIZED GATE AND COMPONENTS:

1. GATE COLUMNS:
 1. HSS STEEL COLUMNS, ANCHORED TO CONCRETE FOUNDATION
 2. COLUMNS TO BE 8" SQUARE WITH A WALL THICKNESS OF .250"
2. GATE PANELS:
 1. DIMENSIONS: MAX 8 FT HIGH X MAX 30 FT CLEAR OPENING
 2. PANELS TO BE CAPABLE OF FULLY OPENING WITHIN 8 SECONDS
 3. PANEL INFILL: 1.5" x 1.5" x .13" STRUCTURAL ANGLED STEEL PICKET TO MATCH STYLE OF FENCE
 4. INTER PANEL HINGES - DOUBLE-STACKED R16 BALL BEARING AT EACH HINGE POINT WITH 1" HEX BOLT AND LOCK NUT. COLUMN HINGES - 1" ALLOY ROD END BEARING AND 1" SAE 941 GRAPHITE IMPREGNATED BRONZE BUSHINGS
 5. FULLY COMPLIANT WITH ASTM F2200 - 05
3. SAFETY/OBSTRUCTION DEVICES:
 1. THROUGH BEAM PHOTOELECTRIC TRANSMITTER AND RECEIVER: EQUIP EACH COLUMN WITH 2 BUILT-IN PHOTOCELLS AT 20" AND 60" ABOVE THE BASE PLATE. TO BE MOUNTED WITHIN THE COLUMNS
 2. PROVIDE OBSTRUCTION LOOP RELAY CARDS FOR INTEGRATION OF OBSTRUCTION LOOPS AS REQUIRED
4. DRIVE UNIT:
 1. PROVIDE 24VCD DRIVE WITH PRINTED CIRCUIT BOARD - INTEGRATED MOTOR CONTROL CIRCUITRY FOR CONTROLLING ELECTRO-MECHANICAL DRIVE SYSTEM. DRIVE SYSTEM TO INCORPORATE CURRENT SENSING RESISTORS AND ADAPTIVE MONITORING SOFTWARE AS INHERENT ENTRAPMENT PROTECTION
 2. ALL ELECTRICAL DRIVE COMPONENTS TO BE ENCLOSED IN WEATHER-RESISTANT HOUSING
 3. DUAL 0.5HP, 24 VCD MOTORS, 600:1 GEAR REDUCTION BOX WITH SYNTHETIC LUBRICANT
 4. INTEGRATED BATTERY BACK UP
 5. EMERGENCY OVERRIDE: PROVIDE POINT FOR MANUAL OPENING AND CLOSING IN CASE OF POWER FAILURE/MALFUNCTION
 6. RS232 AND USB PORT FOR LAPTOP OR OTHER COMPUTER PERIPHERAL CONNECTION FOR DIAGNOSTICS AND PROGRAMMING
5. FINISHES:
 1. HOT DIP GALVANIZED FINISH (0.5) KG/M² ZINC COATING TO ASTM A653/A653M (CAN/CSA-G164)
 2. POWDER COATED TO 80 MICRON THICKNESS - BLACK TO MATCH FENCE
6. PRODUCT OPTIONS:
 1. ANTI CLIMB TOP GUARD
 2. FENCE MOUNTING DEVICES: PROVIDE MOUNTING BRACKETS FOR MOUNTING ADJOINING FENCE MATERIAL TO COLUMNS

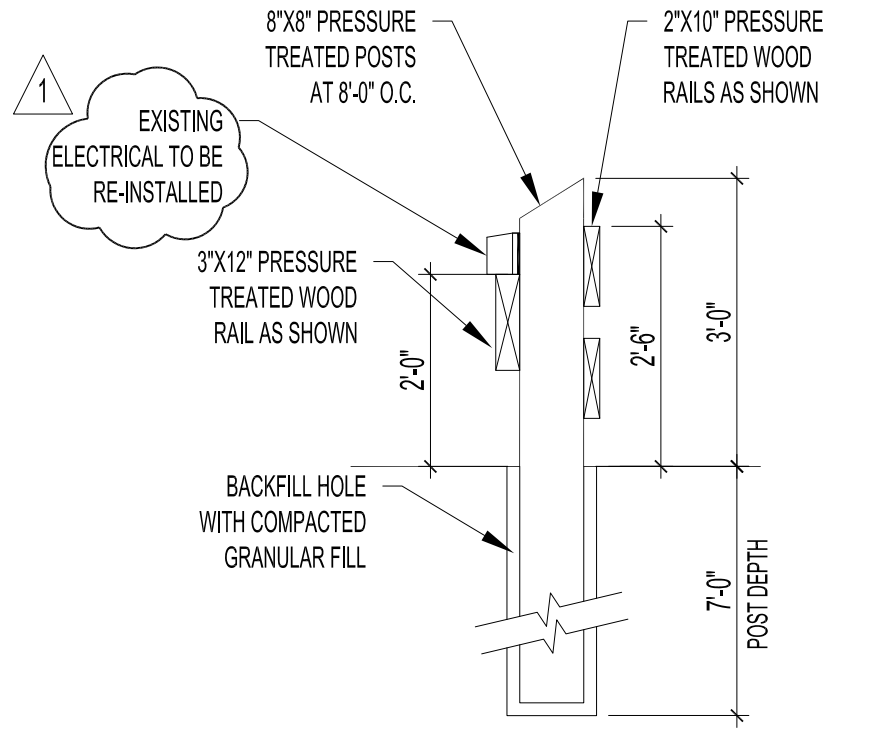
WELDED PANEL CAN BE RAKED 30" OVER 8" WITH ARROW POINTING DOWN GRADE



NO EXPOSED WELDS - SAME APPEARANCE ON BOTH SIDES

CROSS SECTION

SCALE 1/2" = 1'-0"



2
A2

LIGHT PROOF HEADLIGHT FENCE DETAIL

SCALE 1/2" = 1'-0"

FENCE DETAIL
SCALE 1/2" = 1'-0"

- DECORATIVE METAL FENCE REQUIREMENTS:**
- MANUFACTURING AND COATINGS TO MEET OR EXCEED ASTM - 2408
 - 20 YEAR MANUFACTURER'S WARRANTY ON FENCE COMPONENTS
 - 5 YEAR INSTALLER'S WARRANTY ON WORKMANSHIP AND LABOUR

NOTE: CONTRACTOR SHALL REFER TO CITY OF WINNIPEG STANDARD CONSTRUCTION SPECIFICATIONS

1	REVISION AS NOTED	JKR	2021.12.13
0	ISSUED FOR CONSTRUCTION	JKR	2021.11.09

THE CITY OF WINNIPEG PLANNING, PROPERTY AND DEVELOPMENT DEPARTMENT MUNICIPAL ACCOMMODATIONS DIVISION 3-65 GARRY STREET, R3C 4K4			PROJECT AMBULANCE STATION #1 DECORATIVE FENCING/MOTORIZED GATE 726 FURBY STREET		SHEET TITLE FENCE DETAIL BID OPP # 804-2021	
DRAWN BY: JKR	DESIGNED BY: BGP	CHECKED BY: BGP	APPROVED BY: BGP	DATE: 2021.12.13 eFILE: 2020102V0.dwg	SCALE: AS SHOWN	SHEET No: A2R1
PROJECT No: 2020-102						