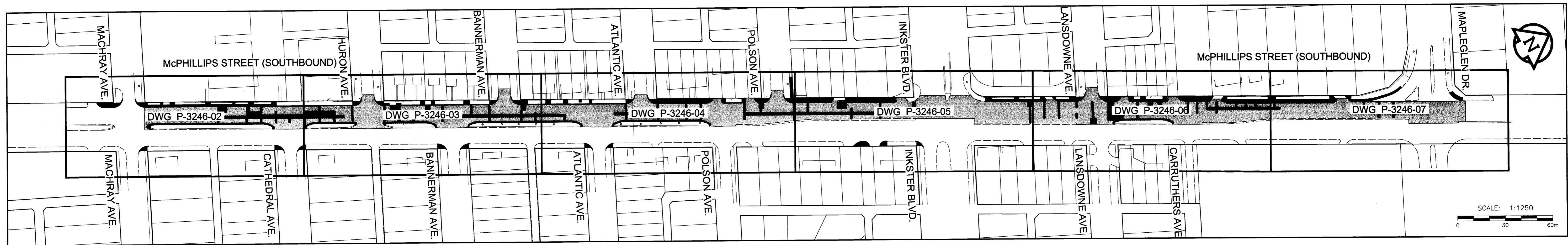
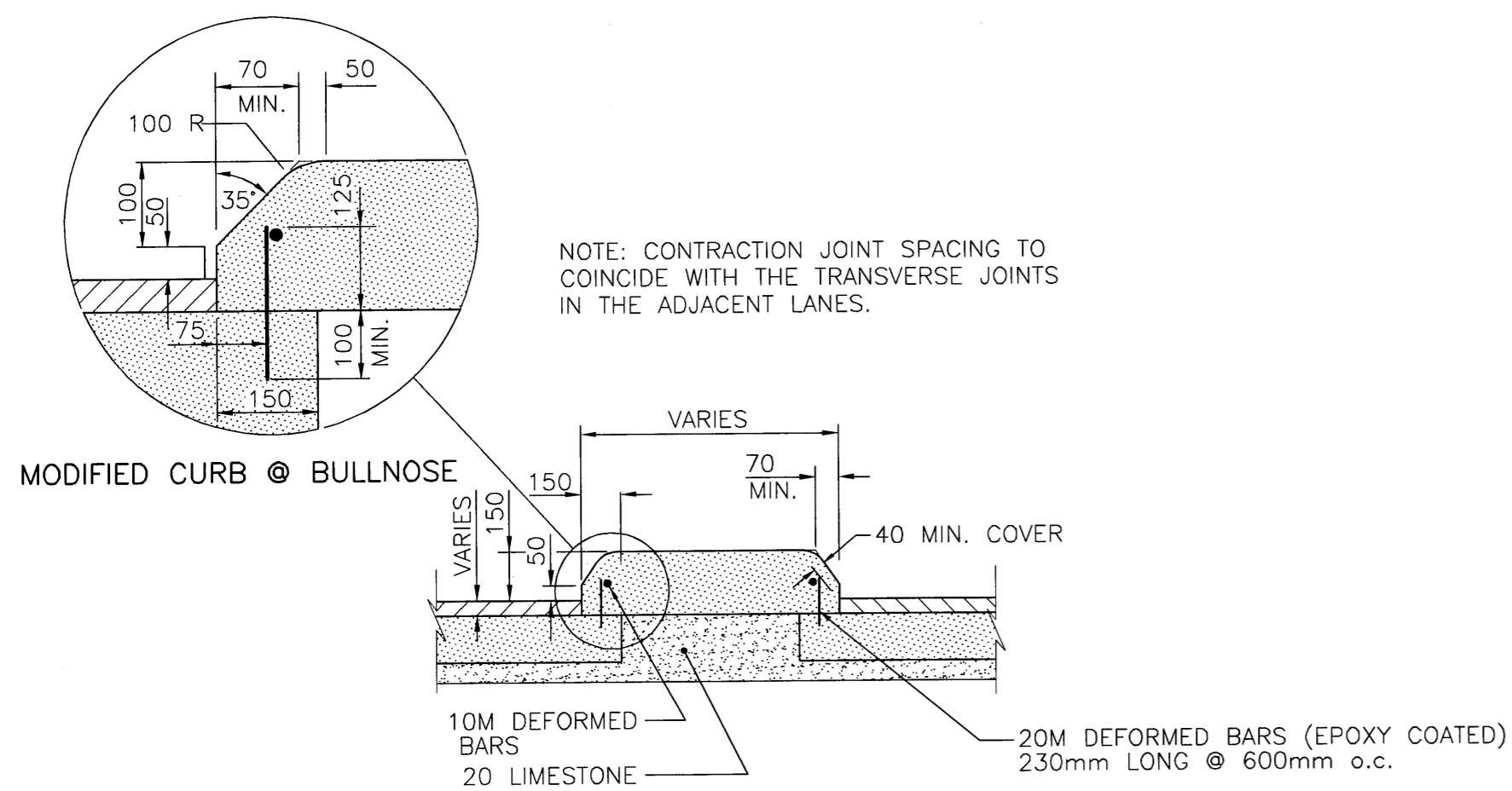


**ABBREVIATIONS – GENERAL**

ABANDON (ED)	ABAN	CURB & GUTTER	C & G	FEEDERMAIN	FM	ON CENTER	O.C.	REINFORCED CONCRETE	RC
APPROXIMATE	APROX	COORDINATE	COORD	FENCE	F	ORIGINAL GROUND	OG	REINFORCING	REIN
ASPHALT	ASPH	CORRUGATED STEEL PIPE	CSP	GATE VALVE	GV	OUTSIDE DIAMETER	OD	REVISED/REVISION	REV
BEGINNING OF CURVE	BC	CRESCENT	CRES	GRAVEL	GRAV	PAVEMENT	PAVT	RIGHT-OF-WAY	ROW
BEGINNING OF VERTICAL CURVE	BVC	CROSS SECTION	XSEC	HIGHWAY	HWY	POINT OF COMPOUND CURVE	PCC	SIDEWALK	SW
BOTTOM	BOT.	DEGREE	DEG	HORIZONTAL	HORZ	POINT OF CURVE	PC	STANDARD	STD
BOULEVARD	BLVD	DETOUR	DET	HYDRANT	HYD	POINT OF INTERSECTION	PI	STATION	STA
BUILDING	BLDG	DIAMETER	DIA	HYDRO	H	PI OF VERTICAL CURVE	PVC	STORM RELIEF SEWER	SRS
CATCH BASIN	CB	DRAWING	DWG	INVERT ELEVATION	INV. EL	POINT OF TANGENT	PT	STREET	ST
CATCH PIT	CP	EAST	E	IRON BAR	IB	POINT OF VERTICAL INTERSECTION	PVI	TANGENT	TAN
CENTERLINE	CTR	ELEVATION	EL	JUNCTION	JCT	POINT ON CURVE	POC	TRAFFIC SIGNAL	TS
CENTER RADIUS	CHKD	END OF CURVE	EC	LAND DRAINAGE SEWER	LDS	POINT ON REVERSE CURVE	PRC	VERTICAL	VERT
CHECKED	CHKD	END OF TAPER	ET	LENGTH OF VERTICAL CURVE	LVC	POINT ON TANGENT	POT	VERTICAL CURVE	VC
CONCRETE	CONC	END OF VERTICAL CURVE	EVC	MANHOLE	MH	POINT ON VERTICAL CURVE	PVC	WASTE WATER SEWER	WWS
CONCRETE CURB	CC	ENTRANCE	ENT	MAXIMUM	MAX	PROPERTY LINE	R	WATERMAIN	WM
COMBINED SEWER	CS	EQUALLY SPACED	ES	MONUMENT	MON	PROPOSED	PROP		
CURB INLET	CI	EXCAVATION	EXC	NORTH	N	RADIUS	R		

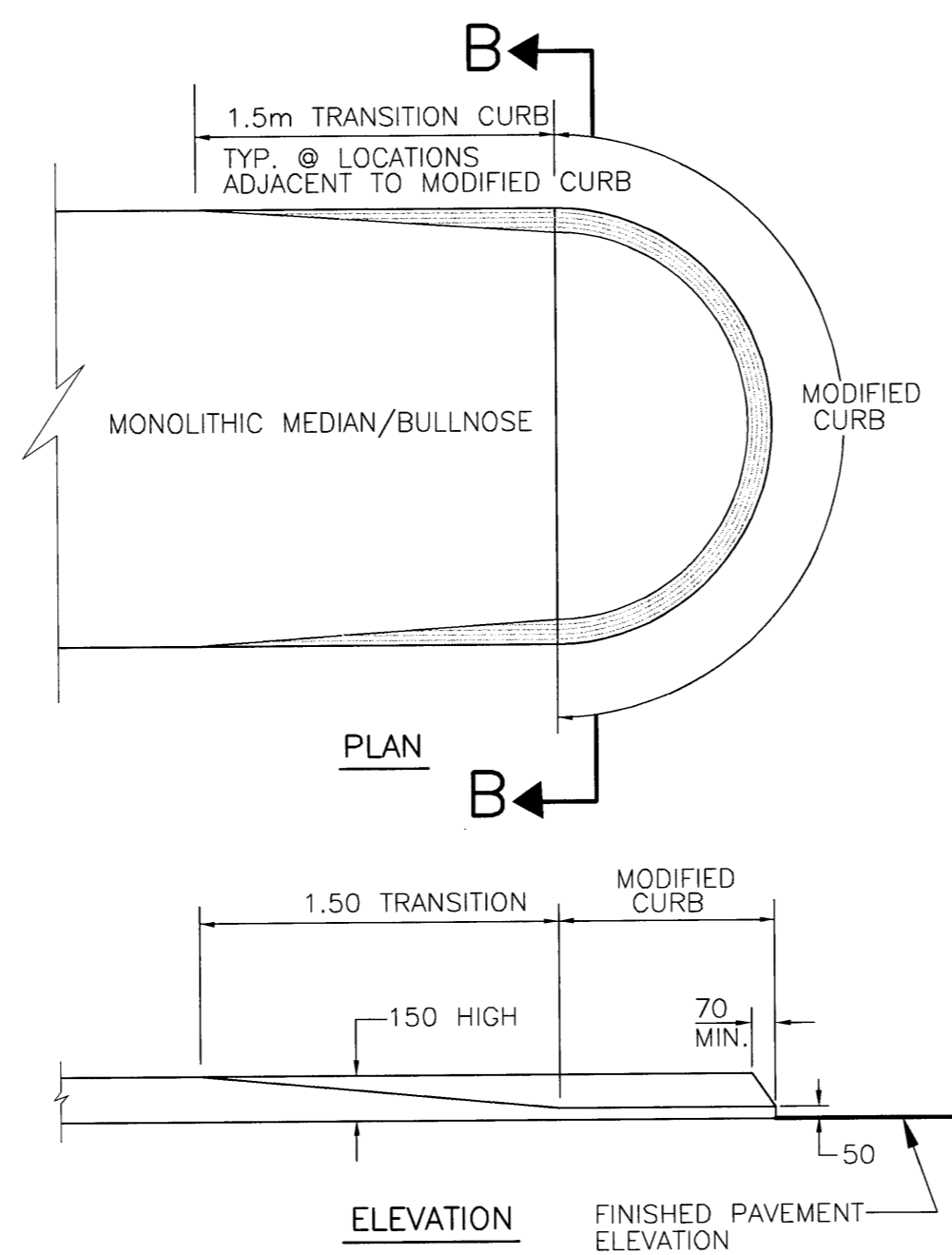


**KEY PLAN**



**MONOLITHIC CONCRETE BULLNOSE/MEDIAN (SECTION B-B)**

N.T.S.



**MONOLITHIC CONCRETE BULLNOSE**

SCALE: 1:30

**DRAWING LIST**

No.	CITY DWG.No.	REV.	DESCRIPTION
00	P-3246-00	A	COVER SHEET
01	P-3246-01	A	ABBREVIATIONS, KEY PLAN, DRAWING LIST, DETAILS, HORIZONTAL AND VERTICAL CONTROL
02	P-3246-02	A	REMOVALS, HORIZONTAL & VERTICAL ALIGNMENT MACHRAY AVE. TO STA. 0+220
03	P-3246-03	A	REMOVALS, HORIZONTAL & VERTICAL ALIGNMENT STA. 0+220 TO STA. 0+370
04	P-3246-04	A	REMOVALS, HORIZONTAL & VERTICAL ALIGNMENT STA. 0+370 TO STA. 0+530
05	P-3246-05	A	REMOVALS, HORIZONTAL & VERTICAL ALIGNMENT STA. 0+530 TO STA. 0+680
06	P-3246-06	A	REMOVALS, HORIZONTAL & VERTICAL ALIGNMENT STA. 0+680 TO STA. 0+830
07	P-3246-07	A	REMOVALS, HORIZONTAL & VERTICAL ALIGNMENT STA. 0+830 TO MAPLE GLEN DR.

SURVEY BAR HORIZONTAL CONTROL POINTS—PROJECT COORDINATES					NAD83 DATUM		
CONTROL POINT	LOCATION	NORTHING	EASTING	ELEVATION	NORTHING	EASTING	ELEVATION
#1	S.W. Cor. of Machray Ave. & McPhillips St.	875.631	984.877	232.310	5533023.299	631757.133	-
#2	S.W. Cor. of Polson Ave. & McPhillips St.	1284.571	984.068	232.211	5533384.194	631949.459	-

NOTE: THE PROJECT DRAWINGS HAVE AN APPLIED SCALE FACTOR OF 1.0003 TO LBIS INFORMATION TO MATCH LOCAL PROJECT COORDINATES

GEODETIC BENCH MARK VERTICAL CONTROL POINTS		
GBM.	LOCATION	ELEVATION
24-036	S.W. Cor. McPhillips St. & Huron Ave., Tablet in N. conc foundation No. 1120 McPhillips St., (Winnipeg Public Library), 1.5m W. & 0.2m below brick of N. E. Cor. of Bldg.	232.215

**LOCATION APPROVED UNDERGROUND STRUCTURES**

DATE: 04/03/25

NOTE: LOCATION OF UNDERGROUND STRUCTURES AS SHOWN ARE BASED ON THE BEST INFORMATION AVAILABLE, BUT NO GUARANTEE IS GIVEN THAT ALL EXISTING UTILITIES ARE SHOWN OR THAT THE GIVEN LOCATIONS ARE EXACT. CONFIRMATION OF EXISTENCE AND EXACT LOCATION OF ALL SERVICES MUST BE OBTAINED FROM THE INDIVIDUAL UTILITIES BEFORE PROCEEDING WITH CONSTRUCTION.

**UMA Engineering Ltd.**

DESIGNED BY: WRJ  
DRAWN BY: DID  
HOR. SCALE: 1:1250  
VERTICAL: 1:10

CHECKED BY: [Signature]  
APPROVED BY: [Signature]  
DATE: MARCH 25/2004

**METRIC**  
WHOLE NUMBERS INDICATE MILLIMETRES  
DECIMALIZED NUMBERS INDICATE METRES

ENGINEER'S SEAL  
PROVINCE OF MANITOBA  
R.P. BRUCE  
REGISTERED PROFESSIONAL ENGINEER

**THE CITY OF WINNIPEG**  
PUBLIC WORKS DEPARTMENT  
ENGINEERING DIVISION

STREET RENEWAL  
McPhillips Street Southbound  
Machray Avenue to Maple Glen Avenue

ABBREVIATIONS, KEY PLAN, DRAWING LIST  
DETAILS, HORIZONTAL AND VERTICAL CONTROL

CITY DRAWING NUMBER: P-3246-01  
SHEET 1 OF 7  
REV 01

PLOT SCALE = 1:10.25  
AutoCAD 15.05 P:\0265\365-00\ALD\McPhillips\dwg\McPhillips Site Plan.dwg 2004-03-24 4:37pm DID