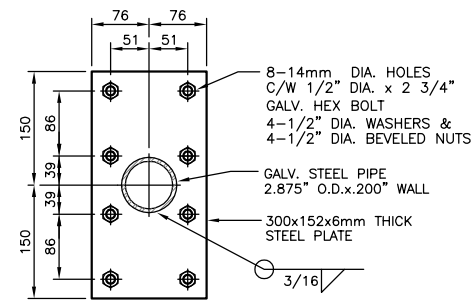
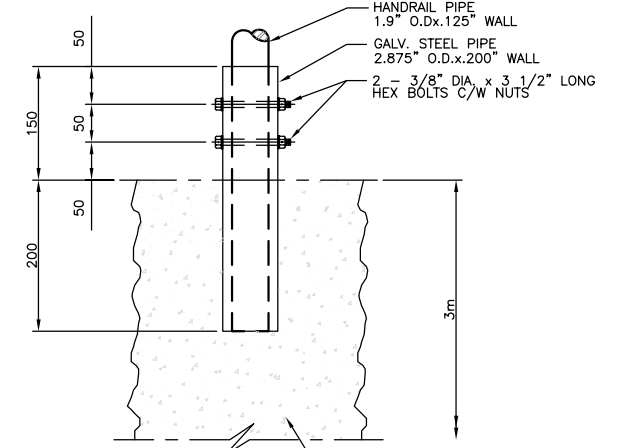


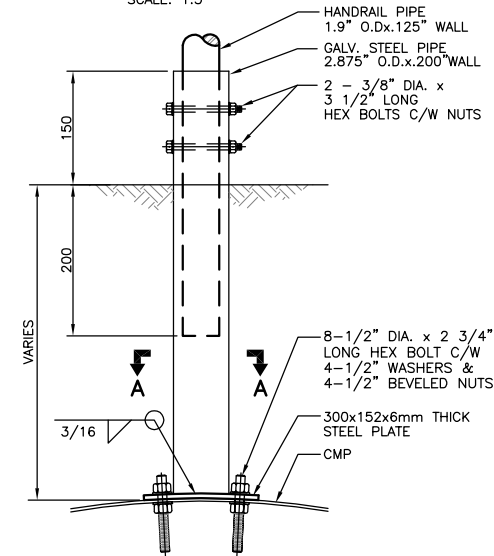
**A SECTION**  
SCALE: 1:50  
LD-3075



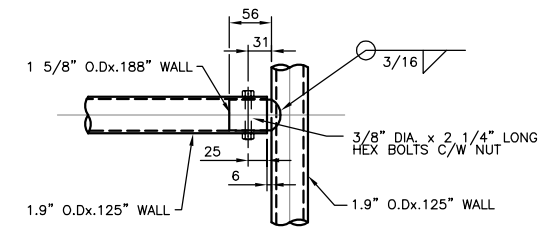
**SECTION A-A**  
SCALE: 1:5



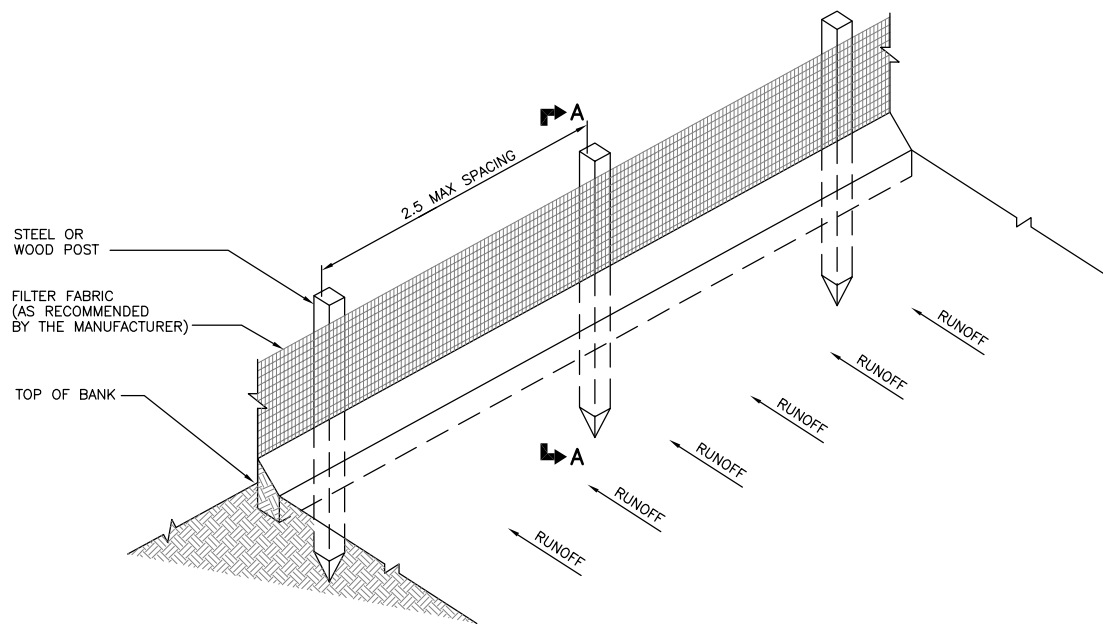
**2 DETAIL**  
SCALE: 1:5



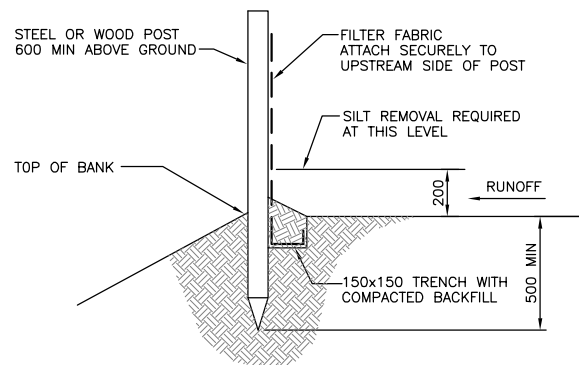
**1 DETAIL**  
SCALE: 1:5



**3 DETAIL**  
SCALE: 1:5



**ISOMETRIC DETAIL**  
SCALE: NTS



**SECTION A-A**  
TRENCH WITH NATIVE BACKFILL  
SCALE: NTS  
**SILT FENCE DETAILS**  
SCALE: NTS

**NOTE:**  
SILT FENCE SHALL BE PLACED WHERE SHOWN ON THE DRAWING TO MAXIMIZE PONDING EFFICIENCY, AND PREVENT SEDIMENT FROM ENTERING TREADED AREAS OF THE RIVER.

**WARNING**

IF POWER EQUIPMENT OR EXPLOSIVES ARE TO BE USED FOR EXCAVATION ON THIS PROJECT THE CONTRACTOR MUST:  
1) NOTIFY THE GAS COMPANY OF THE PROPOSED LOCATION OF EXCAVATION.  
2) TAKE PRECAUTION TO AVOID DAMAGE TO GAS COMPANY INSTALLATIONS.  
SEE PROVINCIAL REGULATION 210/72 FOR DETAILS.

**METRIC**

WHOLE NUMBERS INDICATE MILLIMETRES  
DECIMALIZED NUMBERS INDICATE METRES



**LOCATION APPROVED UNDERGROUND STRUCTURES**

SUPV. U/G STRUCTURES COMMITTEE	DATE

**NOTE:**  
LOCATION OF UNDERGROUND STRUCTURES AS SHOWN ARE BASED ON THE BEST INFORMATION AVAILABLE BUT NO GUARANTEE IS GIVEN THAT ALL EXISTING UTILITIES ARE SHOWN OR THAT THE GIVEN LOCATIONS ARE EXACT. CONFIRMATION OF EXISTENCE AND EXACT LOCATION OF ALL SERVICES MUST BE OBTAINED FROM THE INDIVIDUAL UTILITIES BEFORE PROCEEDING WITH CONSTRUCTION.

B.M. ELEV.	NO.	REVISIONS	DATE	BY

**KGS GROUP** CONSULTING ENGINEERS & PROJECT MANAGERS  
WINNIPEG (204) 896-1209  
THUNDER BAY (807) 345-2233

DESIGNED BY: DGG	CHECKED BY: RJH
DRAWN BY: DW	APPROVED BY:
HOR. SCALE: AS NOTED	RELEASED FOR CONSTRUCTION:
VERTICAL:	DATE:

ENGINEER'S SEAL  
**R.J. HOUSTON**  
REGISTERED PROFESSIONAL ENGINEER  
CONSULTANT DRAWING NO. 04-107-13\_09R0

**THE CITY OF WINNIPEG**  
WATER & WASTE DEPARTMENT  
2004 OUTFALL REPAIRS  
**HAND RAIL & SILT FENCE DETAILS**

SHEET 09	OF 09
CAD FILE DRAWING NUMBER 04-107-13	
CITY DRAWING NUMBER LD-3081	