

FIG. 1 SELECTOR SWITCH WITH INDICATOR

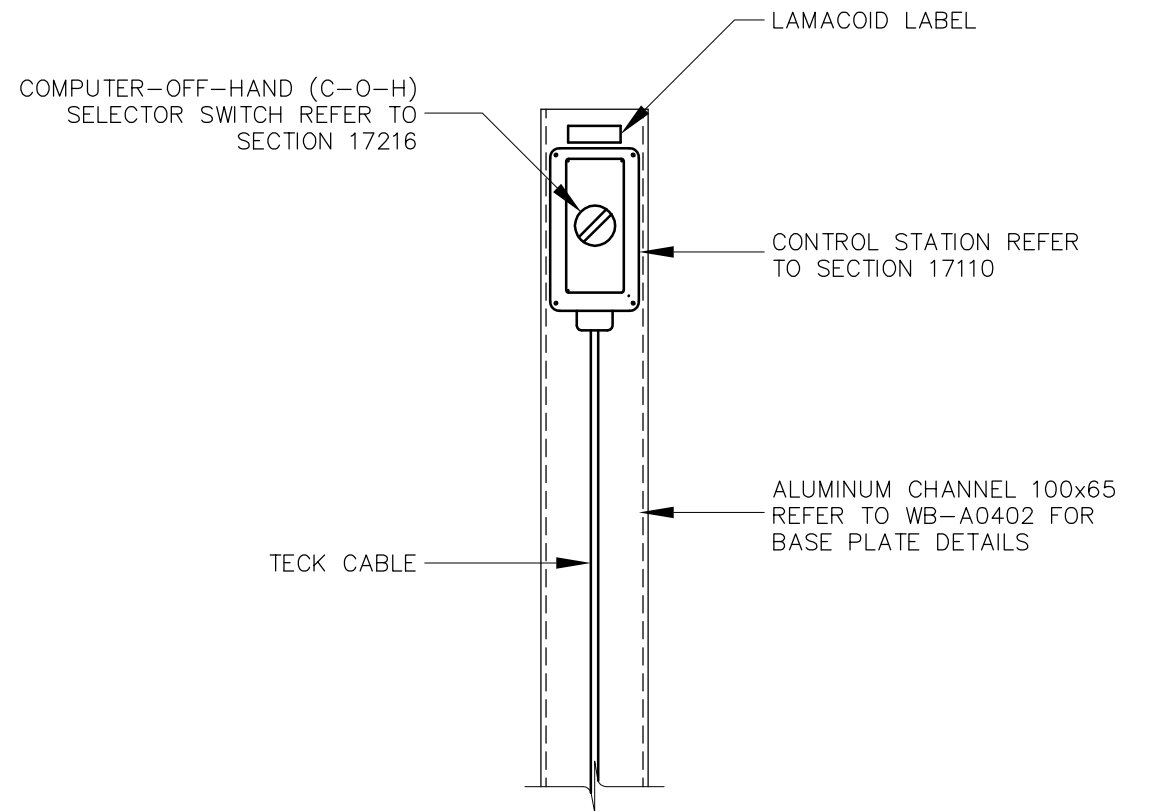


FIG. 2 SELECTOR SWITCH

<p>APEGGA Certificate of Authorization Earth Tech Canada Inc. No. 730 Expiry: April 30, 2007</p>	<table border="1"> <tr> <th>B.M. ELEV.</th> <th>DATE</th> <th>BY</th> </tr> <tr> <td> </td> <td> </td> <td> </td> </tr> <tr> <td> </td> <td> </td> <td> </td> </tr> <tr> <td> </td> <td> </td> <td> </td> </tr> </table>	B.M. ELEV.	DATE	BY										<p>CH2M HILL Fredericton Cooper ARCHITECTS</p>	<p>EarthTech A Tech International Ltd. Company</p>	<p>ENGINEER'S SEAL</p> <p>ORIGINAL SIGNED BY S.W. TORMEY 2006/03/29</p>	<p>THE CITY OF WINNIPEG WATER AND WASTE DEPARTMENT ENGINEERING DIVISION</p>									
		B.M. ELEV.	DATE	BY																						
<table border="1"> <tr> <td>DESIGNED BY</td> <td>NT</td> <td>CHECKED BY</td> <td>SWT</td> </tr> <tr> <td>DRAWN BY</td> <td>GLG</td> <td>APPROVED BY</td> <td>AHL</td> </tr> <tr> <td>SCALE:</td> <td>NTS</td> <td>RELEASED FOR CONSTRUCTION BY:</td> <td>R. SOROKOWSKI</td> </tr> <tr> <td>DATE</td> <td>2006/01/03</td> <td>DATE</td> <td>2006/03/29</td> </tr> </table>	DESIGNED BY	NT	CHECKED BY	SWT	DRAWN BY	GLG	APPROVED BY	AHL	SCALE:	NTS	RELEASED FOR CONSTRUCTION BY:	R. SOROKOWSKI	DATE	2006/01/03	DATE	2006/03/29	<p>CONSULTANT DRAWING NO. WB-A0403</p>	<p>WATER TREATMENT PLANT MAIN BUILDING MECHANICAL AND ELECTRICAL</p>	<p>CITY FILE NUMBER</p> <p>SHEET OF</p>							
DESIGNED BY	NT	CHECKED BY	SWT																							
DRAWN BY	GLG	APPROVED BY	AHL																							
SCALE:	NTS	RELEASED FOR CONSTRUCTION BY:	R. SOROKOWSKI																							
DATE	2006/01/03	DATE	2006/03/29																							
<table border="1"> <tr> <th>NO.</th> <th>REVISIONS</th> <th>DATE</th> <th>BY</th> </tr> <tr> <td>04</td> <td>35-2006 ISSUED FOR TENDER</td> <td>07/03/19</td> <td>LAE</td> </tr> <tr> <td>03</td> <td>ISSUED FOR CONSTRUCTION</td> <td>06/12/01</td> <td>SRP</td> </tr> <tr> <td>02</td> <td>498-2006 ISSUED FOR TENDER</td> <td>06/09/05</td> <td>LAE</td> </tr> <tr> <td>01</td> <td>ISSUED FOR CONSTRUCTION</td> <td>06/07/28</td> <td>JBC</td> </tr> <tr> <td>00</td> <td>ISSUED FOR TENDER</td> <td>06/03/29</td> <td>GLG</td> </tr> </table>	NO.	REVISIONS	DATE	BY	04	35-2006 ISSUED FOR TENDER	07/03/19	LAE	03	ISSUED FOR CONSTRUCTION	06/12/01	SRP	02	498-2006 ISSUED FOR TENDER	06/09/05	LAE	01	ISSUED FOR CONSTRUCTION	06/07/28	JBC	00	ISSUED FOR TENDER	06/03/29	GLG	<p>AUTOMATION / I&C HAND SWITCH MOUNTING INSTALLATION DETAILS</p>	<p>CITY DRAWING NUMBER 1-0601B-D-A0403-001-04B</p>
NO.	REVISIONS	DATE	BY																							
04	35-2006 ISSUED FOR TENDER	07/03/19	LAE																							
03	ISSUED FOR CONSTRUCTION	06/12/01	SRP																							
02	498-2006 ISSUED FOR TENDER	06/09/05	LAE																							
01	ISSUED FOR CONSTRUCTION	06/07/28	JBC																							
00	ISSUED FOR TENDER	06/03/29	GLG																							
<p>Last Save: 2007-02-15 12:00 PM</p>	<p>L: \WORK\79000\79538\02A-CAD\INST\CONTR\WTP DETAILED DESIGN\INSTRUMENTATION STANDARD DETAILS\DN_WB-A0403_ET.DWG</p>																									