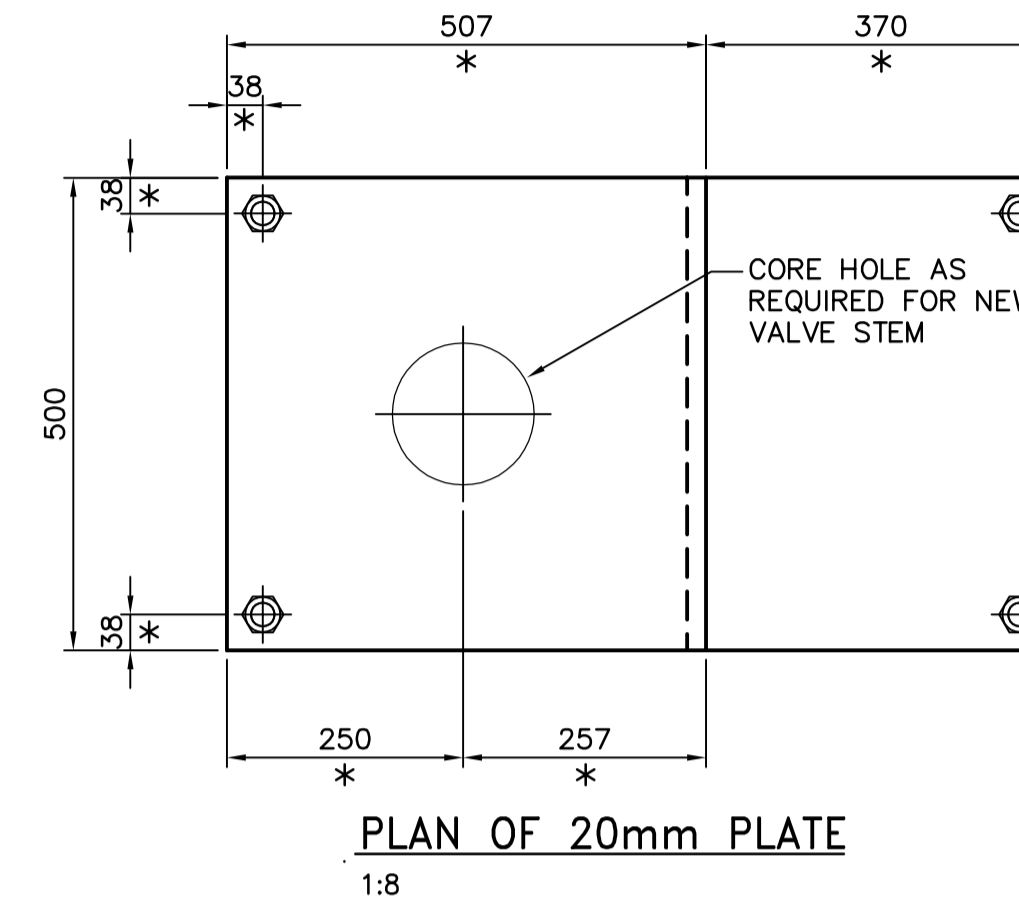
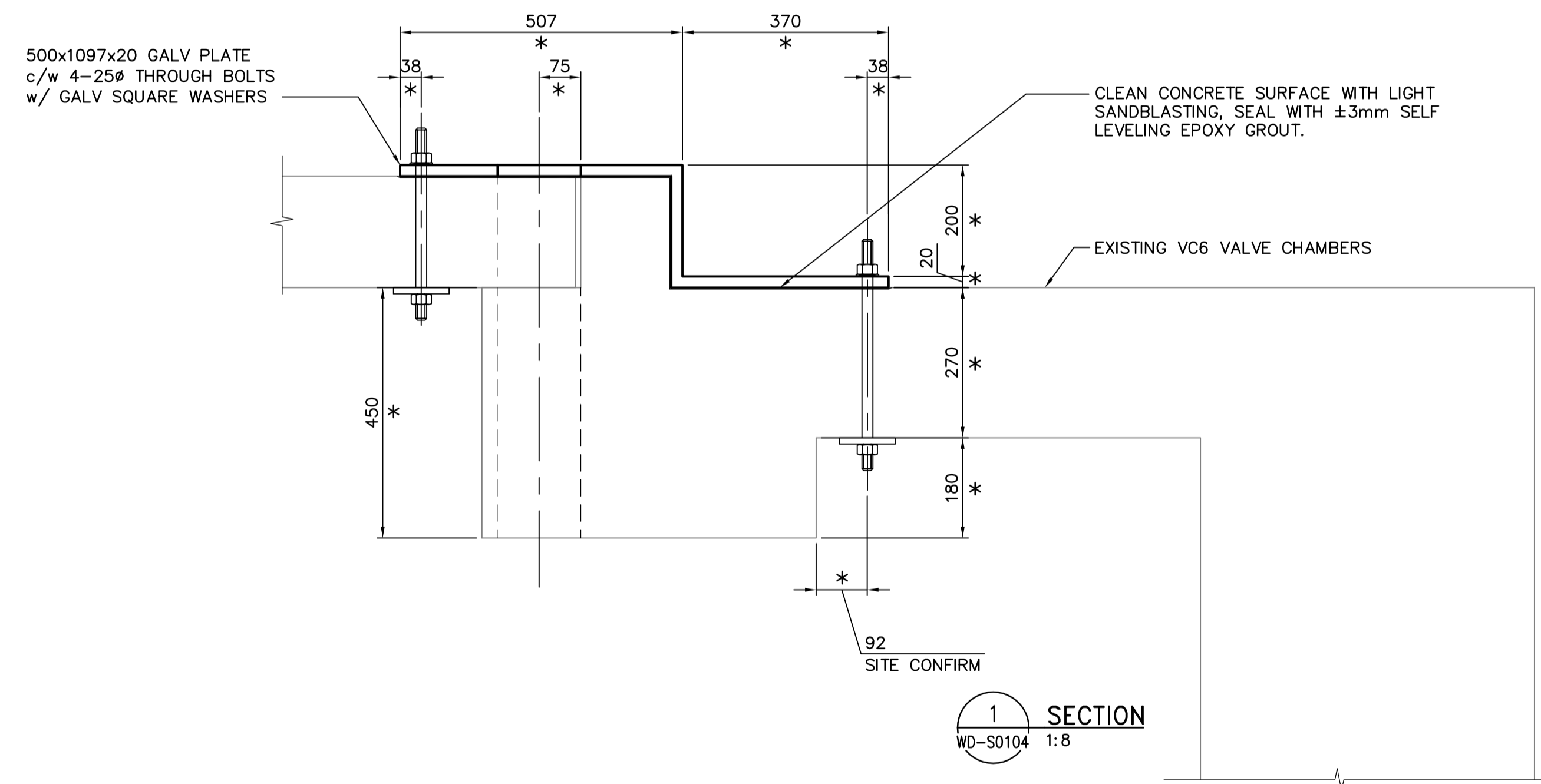


EXISTING VC 6 VALVE CHAMBER ROOF PLAN VIEW
1:20



PLAN OF 20mm PLATE
1:8



SECTION 1
WD-S0104 1:8

<p>Certificate of Authorization Earth Tech Canada Inc. No. 730 Expiry: April 30, 2007</p>	B.M. ELEV.	<p>Frederickson Cooper ARCHITECTS</p>	<p>A Tyco International Ltd. Company</p>	ENGINEER'S SEAL	<p>THE CITY OF WINNIPEG WATER AND WASTE DEPARTMENT ENGINEERING DIVISION</p>		
				DESIGNED BY GGP		CHECKED BY MK	ORIGINAL SIGNED BY M. KLASSEN
				DRAWN BY KK		APPROVED BY AHL	2007/03/16
				SCALE: AS SHOWN		RELEASED FOR CONSTRUCTION BY: R. SOROKOWSKI	CONSULTANT DRAWING NO. WD-S0104
	00 ISSUED FOR TENDER 07/03/19 KK	DATE 2006/12/08	DATE 2007/03/16		<p>WATER TREATMENT PLANT DEACON BOOSTER PUMP STATION UPGRADE</p>	CITY FILE NUMBER	
	NO. REVISIONS	DATE	BY		<p>STRUCTURAL VC 6 VALVE CHAMBER MODIFICATIONS</p>	SHEET OF	
						CITY DRAWING NUMBER	
						1-0601D-A-S0104-001-000	