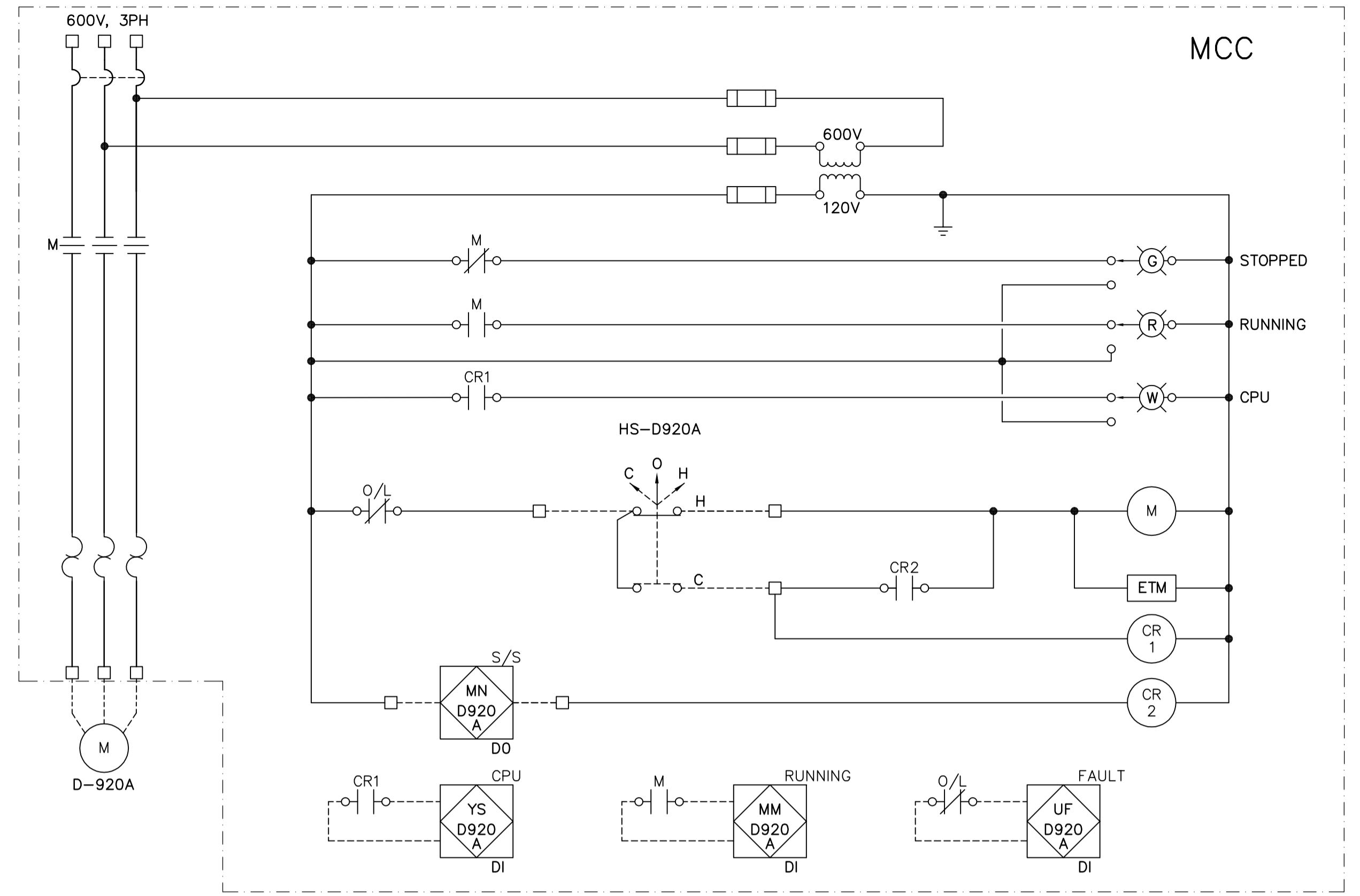
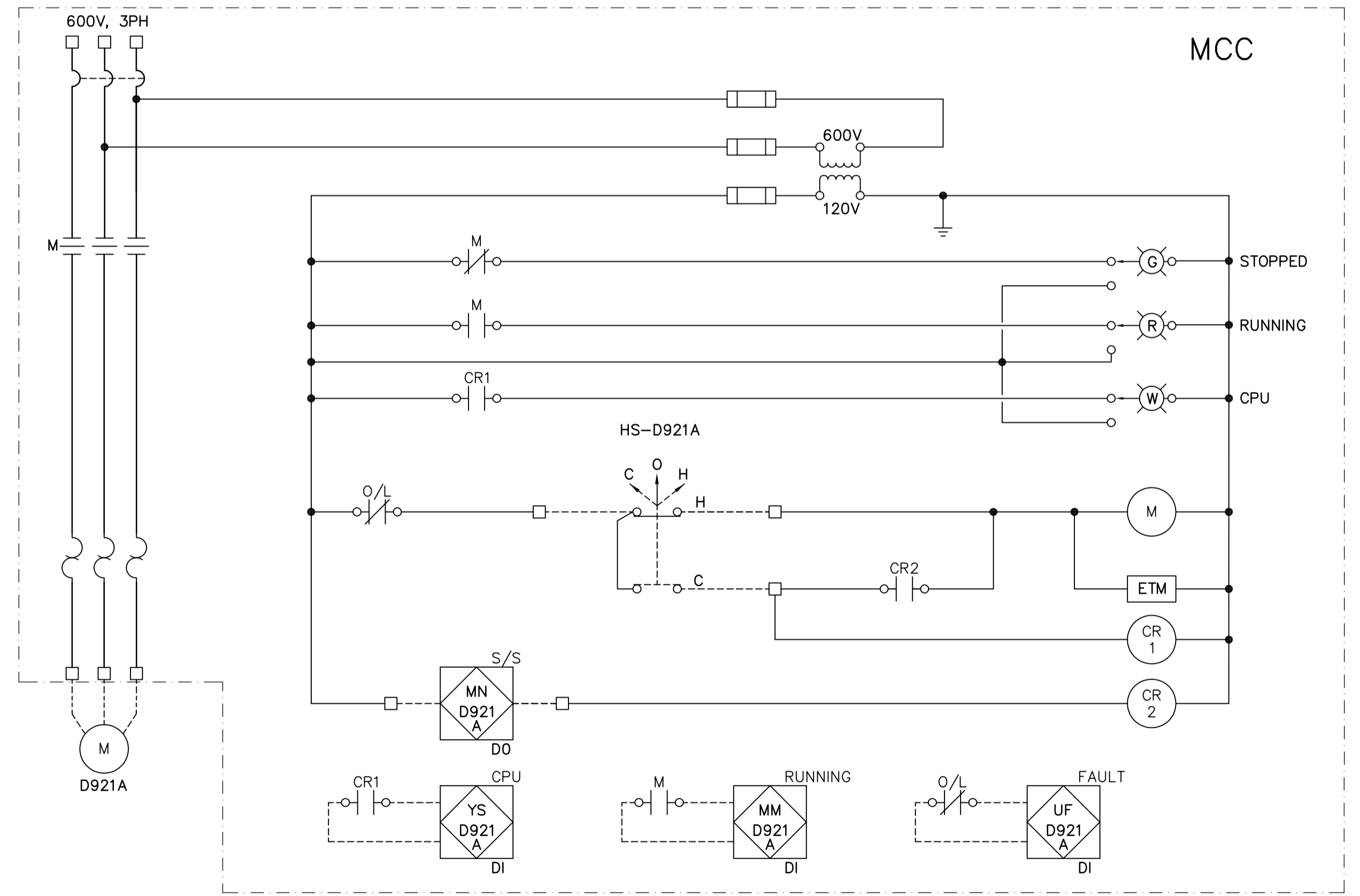


PANEL SCHEDULE										
CDP-100B										
DESCRIPTION	LOAD	BKR	CCT	A	B	C	CCT	BKR	LOAD	DESCRIPTION
Motorized Valve Acuator	2HP	15A	1	*			2	15A	2HP	Motorized Valve Acuator
DU-061-SIV-1		3P	3	*			4	3P		DU-062-SIV-2
3/C# 12 Teck			5		*		6			3/C# 12Teck
Motorized Valve Acuator	2HP	15A	7	*			8	15A	2HP	Motorized Valve Acuator
DU-063-SIV-3		3P	9	*			10	3P		DU-064-SIV-4
3/C# 12 Teck			11		*		12			3/C# 12Teck
Motorized Valve Acuator	2HP	15A	13	*			14	15A	2HP	Motorized Valve Acuator
DU-065-SIV-5		3P	15	*			16	3P		DU-066-SIV-6
3/C# 12 Teck			17		*		18			3/C# 12Teck
Motorized Valve Acuator	2HP	15A	19	*			20	15A	2HP	VSD-044
DO-050-DHV-6		3P	21	*			22	3P		3/C# 12Teck
3/C# 12 Teck			23		*		24			
VSD-045		15A	25	*			26	15A		Spare
3/C# 12 Teck		3P	27	*			28	3P		
			29		*		30			
Spare		15A	31	*			32			Space
		3P	33	*			34			Space
			35	*			36			Space
Space			37	*			38			Space
Space			39	*			40			Space
Space			41	*			42			Space

Voltage: 600V/3Ø/3 wire Feeder: 3/C # 2 Teck Cable
 Mains: 225A Main Breaker: Service from existing Panel CDP-100
 Location: North Mezz. New 100A 3 Pole 600V Breaker
 Mounting: Surface Power Source: Panel CDP-100



COOLING WATER PUMP P-D920A



COOLING WATER PUMP P-D921A

<p>Certificate of Authorization Earth Tech Canada Inc. No. 730 Expiry: April 30, 2007</p>	B.M. ELEV.	<p>Frederickson Cooper ARCHITECTS</p>	<p>A Type International Ltd. Company</p>	ENGINEER'S SEAL	<p>THE CITY OF WINNIPEG WATER AND WASTE DEPARTMENT ENGINEERING DIVISION</p>		
				DESIGNED BY: BLM		CHECKED BY: PS	ORIGINAL SIGNED BY: P. STRYK
				DRAWN BY: ERC		APPROVED BY: AHL	2007/03/19
				SCALE: NTS		RELEASED FOR CONSTRUCTION BY: R. SOROKOWSKI	CONSULTANT DRAWING NO. WD-E0501
	00 ISSUED FOR TENDER 07/03/19 ERC	DATE: 2005/10/03	DATE: 2007/03/19		WATER TREATMENT PLANT DEACON BOOSTER PUMP STATION UPGRADE ELECTRICAL SCHEDULE AND SCHEMATIC		
	NO. REVISIONS	DATE	DATE		CITY FILE NUMBER SHEET OF CITY DRAWING NUMBER 1-0601D-G-E0501-001-000		