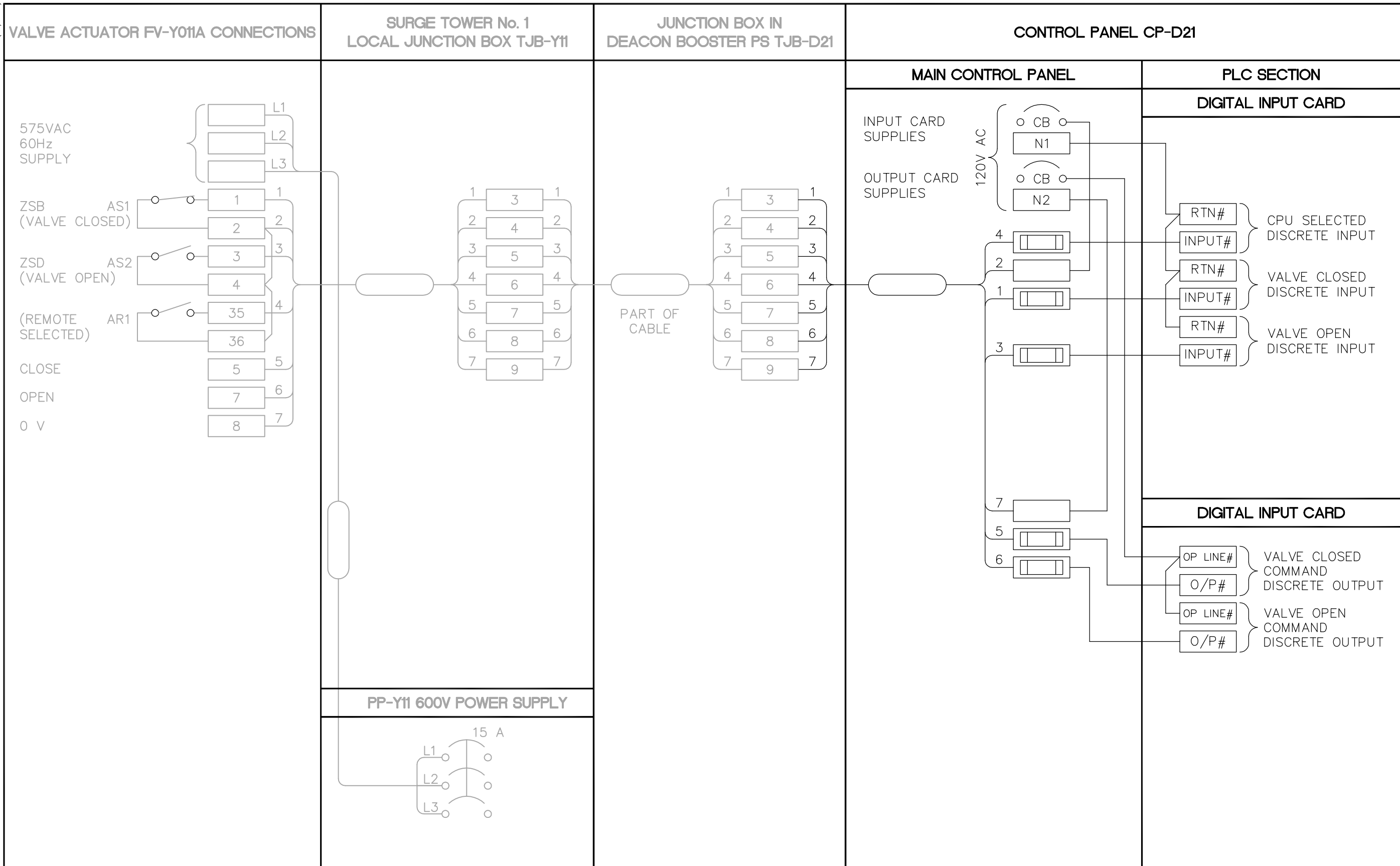


CDW-A3 (02/2006)



**NOTE:**

1. RELAYS IN ACTUATOR TO BE PROGRAMMED AS ABOVE.

<p>Certificate of Authorization Earth Tech Canada Inc. No. 730 Expiry: April 30, 2007</p>	B.M. ELEV.	<p>DESIGNED BY NT</p> <p>DRAWN BY SRP</p> <p>SCALE: NTS</p> <p>DATE 2006/02/13</p>	<p>CHECKED BY BLM</p> <p>APPROVED BY AHL</p> <p>RELEASED FOR CONSTRUCTION BY: R. SOROKOWSKI</p> <p>DATE 2006/05/03</p>	<p>ENGINEER'S SEAL</p> <p>ORIGINAL SIGNED BY B.L. MOORE</p> <p>2006/05/03</p>	<p>THE CITY OF WINNIPEG WATER AND WASTE DEPARTMENT ENGINEERING DIVISION</p> <p>WATER TREATMENT PLANT YARD PIPING AND VALVE CHAMBERS SURGE TOWER CONSTRUCTION</p> <p>AUTOMATION / I&amp;C VALVE ACTUATOR FV-Y011A LOOP DIAGRAM</p>
	02 ISSUED FOR TENDER (35-2006) 07/03/19 LAE			CITY FILE NUMBER	
	01 ISSUED FOR CONSTRUCTION 06/07/13 LAE			SHEET OF	
	00 ISSUED FOR TENDER 06/05/03 LAE			CITY DRAWING NUMBER 1-0601Y-H-A0451-001-02B	