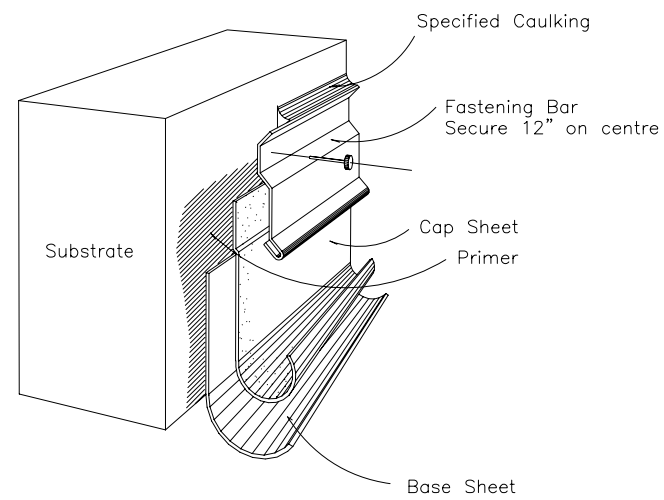
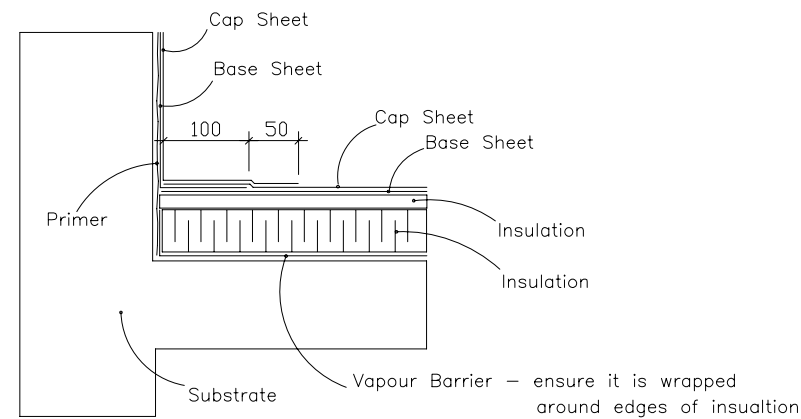


Typical Fastening Bar

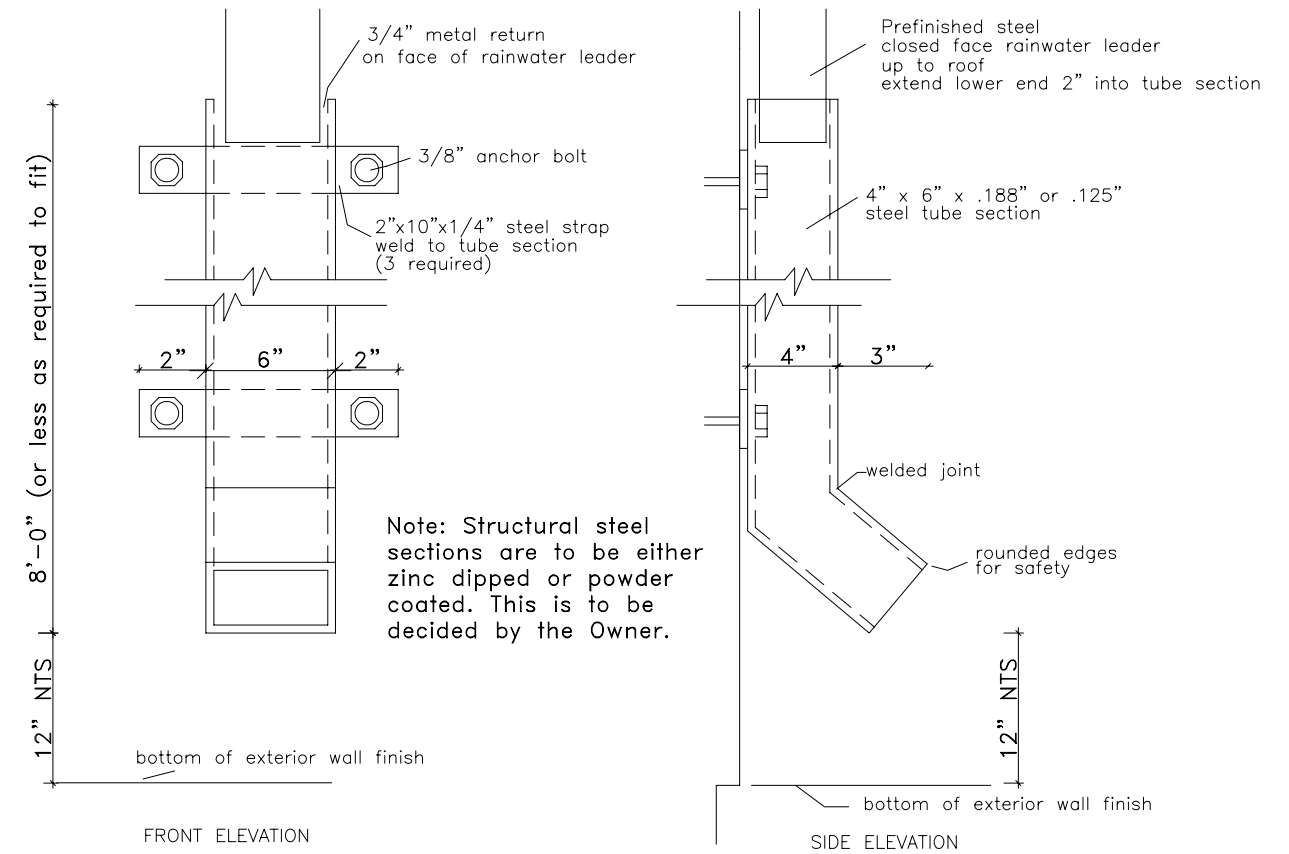


Typical Roof Edge Detail



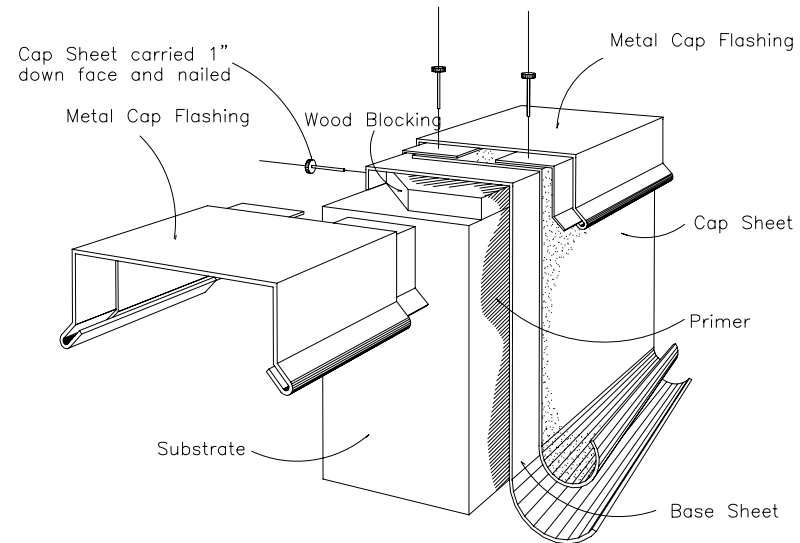
Note: Modified Bitumen stripping used in conjunction with 4 ply felt membrane is to have base sheet extend 12" onto flat and cap sheet 18" onto flat.

Structural Down Pipes

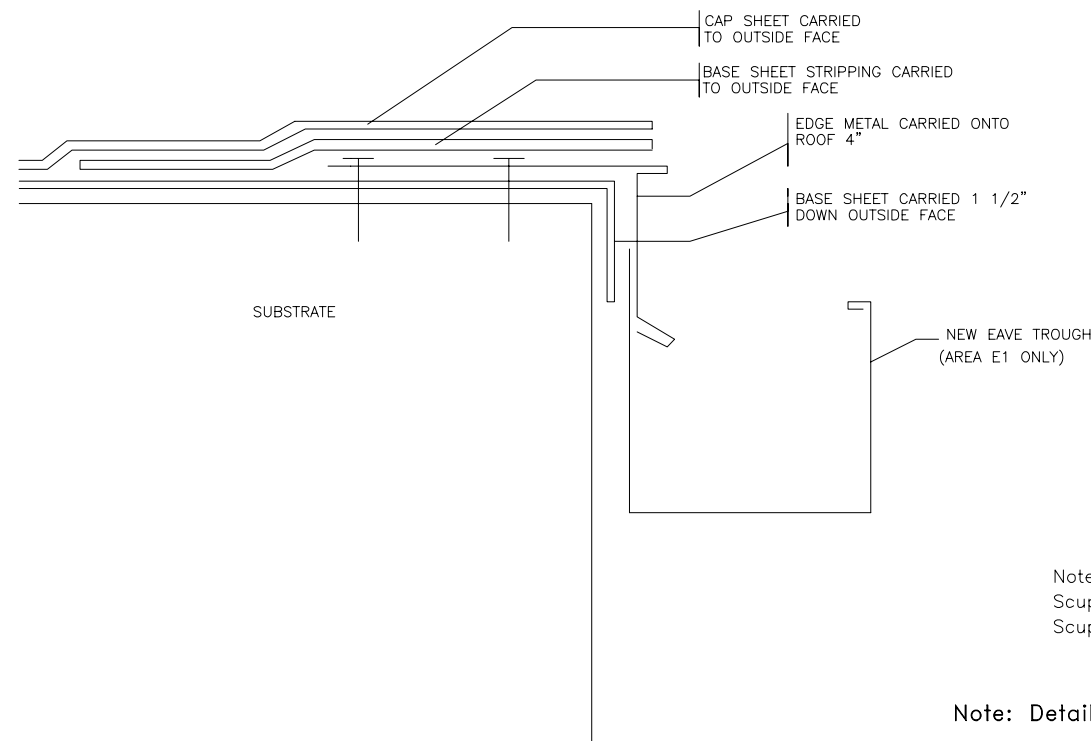


Note: Structural steel sections are to be either zinc dipped or powder coated. This is to be decided by the Owner.

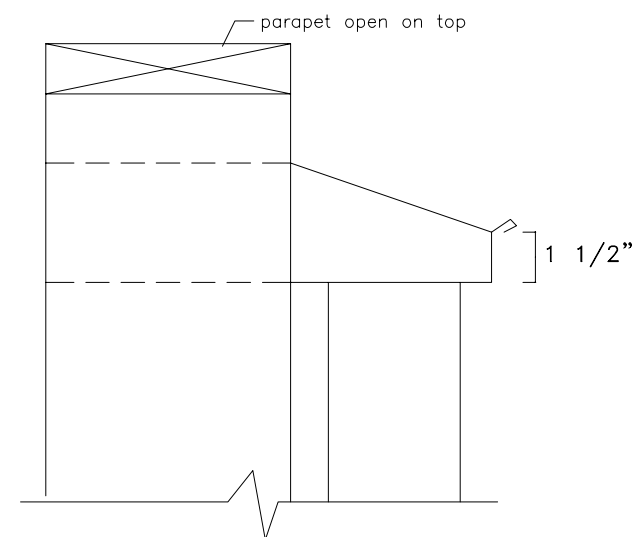
Typical Parapet Cap



Drip Edge with Trough

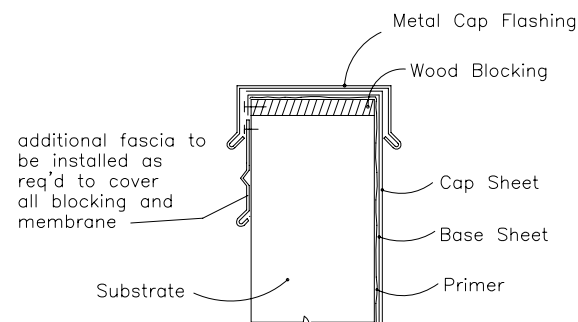


Typical Scupper



Notes:
Scupper shall be 4 sided through parapet
Scupper shall be minimum 8" wide x 6" high

Note: Details are to be similar for inverted roof assemblies



AGASSIZ CONSULTING GROUP	
809 Pipeline Road, Winnipeg, Manitoba Phone: 697-8091 Fax: 697-8039	
Project: Norwood Community Center 87 Walmer Winnipeg, MB	
Date: January 2, 2007	
Drawing No.	D-1
File no: 3440-07	Scale: N.T.S.