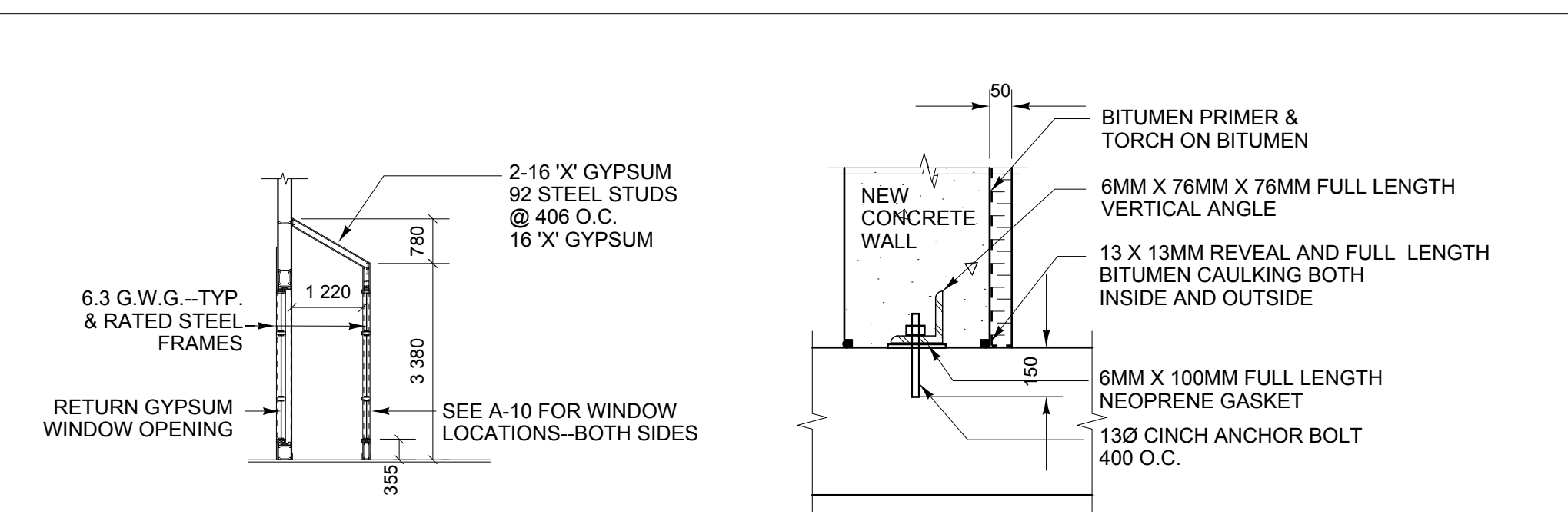
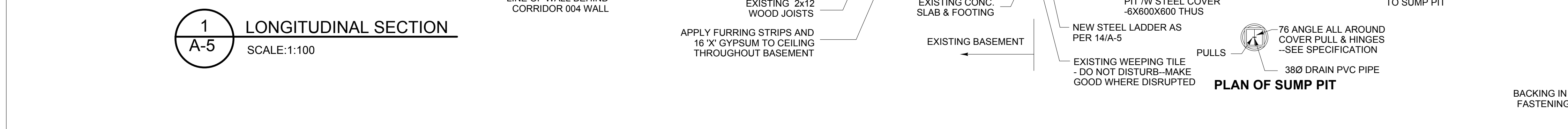


**1 LONGITUDINAL SECTION**  
A-5 SCALE: 1:100

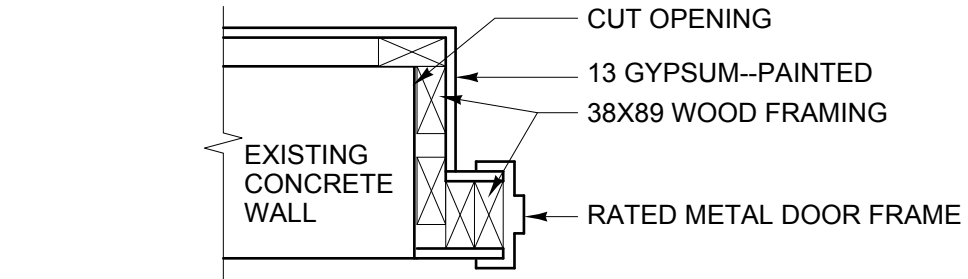


**4 SECTION THRU STAIR**  
A-5 SCALE 1:100

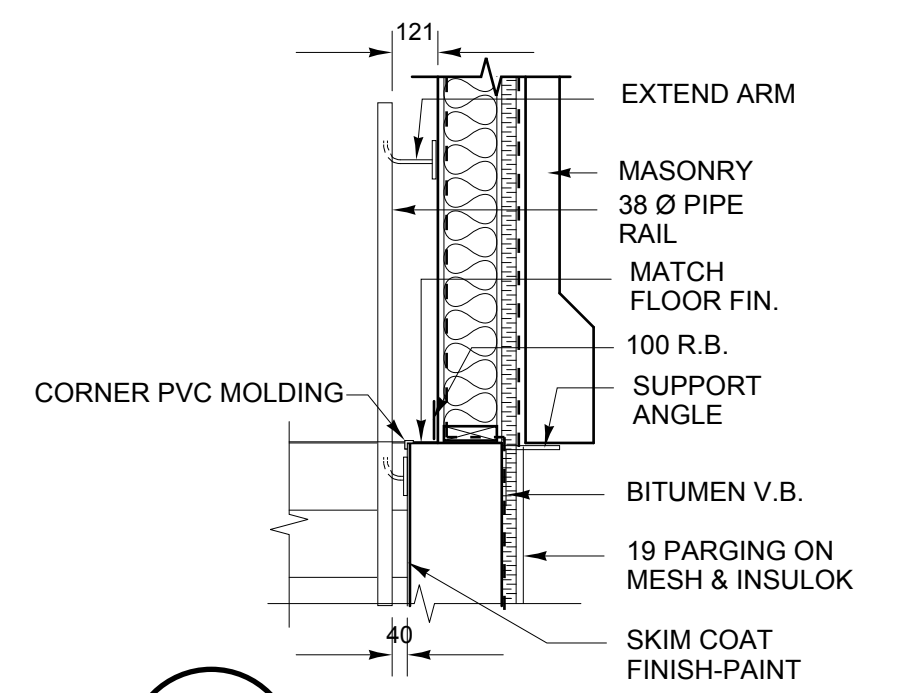
**5 CONCRETE JOINT SEAL DET.**  
A-5 SCALE 1:10



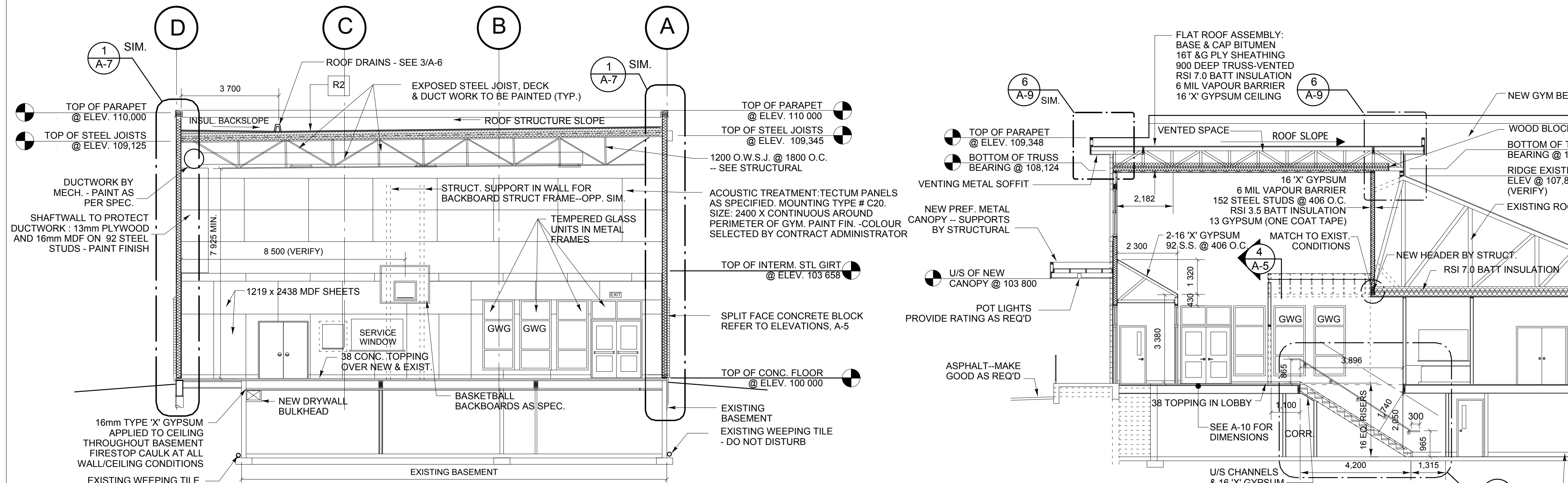
**PLAN OF SUMP PIT**



**6 DOOR OPENING FRAMING**  
A-5 SCALE 1:10



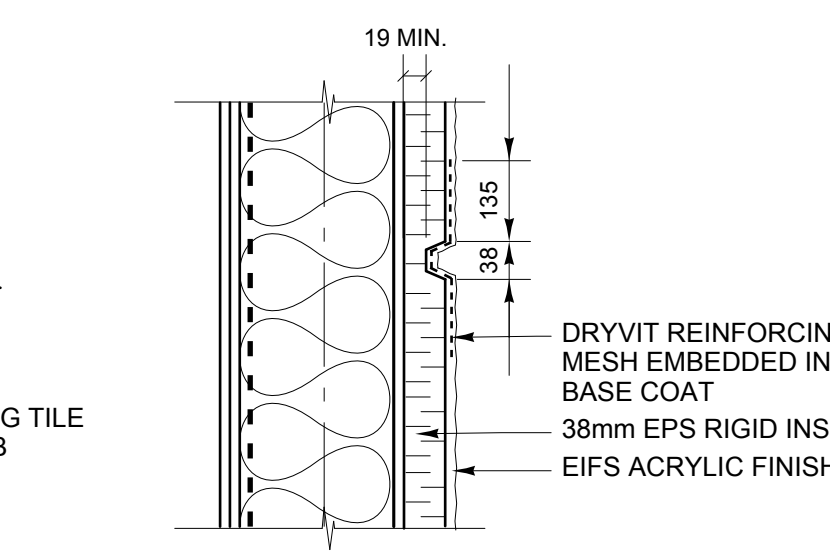
**7 STAIR WALL**  
A-5 SCALE 1:20



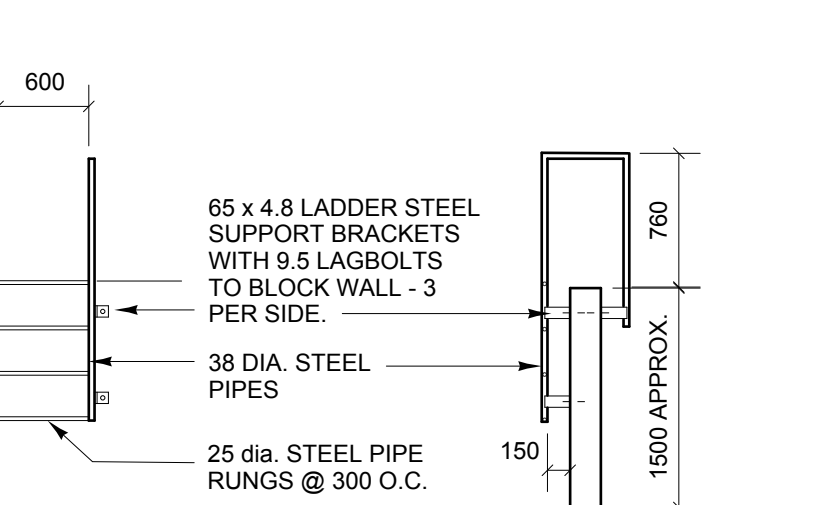
**2 CROSS SECTION THRU GYMNASIUM**  
A-5 SCALE 1:100

**3 SECTION THRU LOBBY**  
A-5 SCALE 1:100

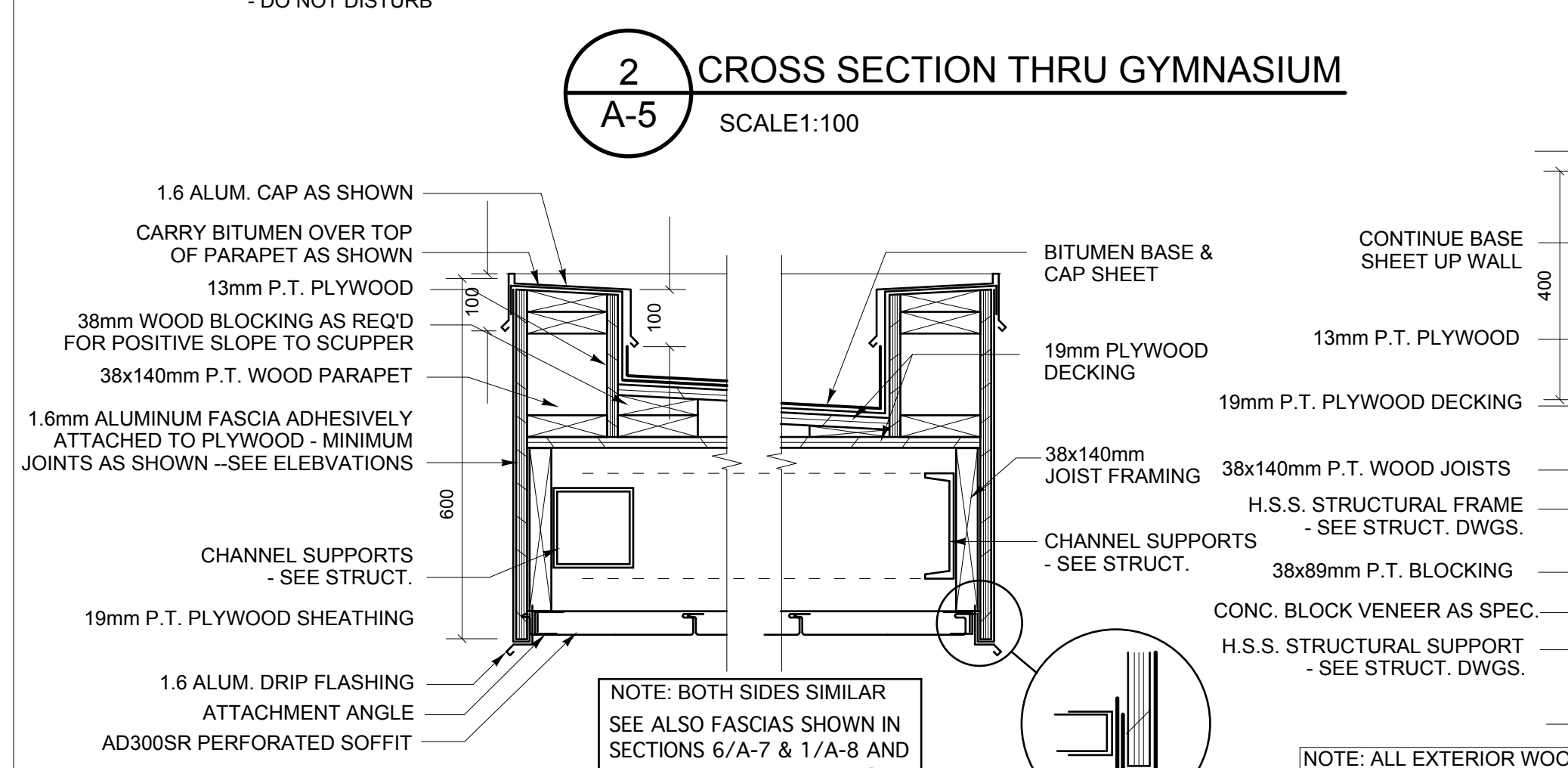
**9 CONC. STEPS**  
A-5 SCALE 1:10



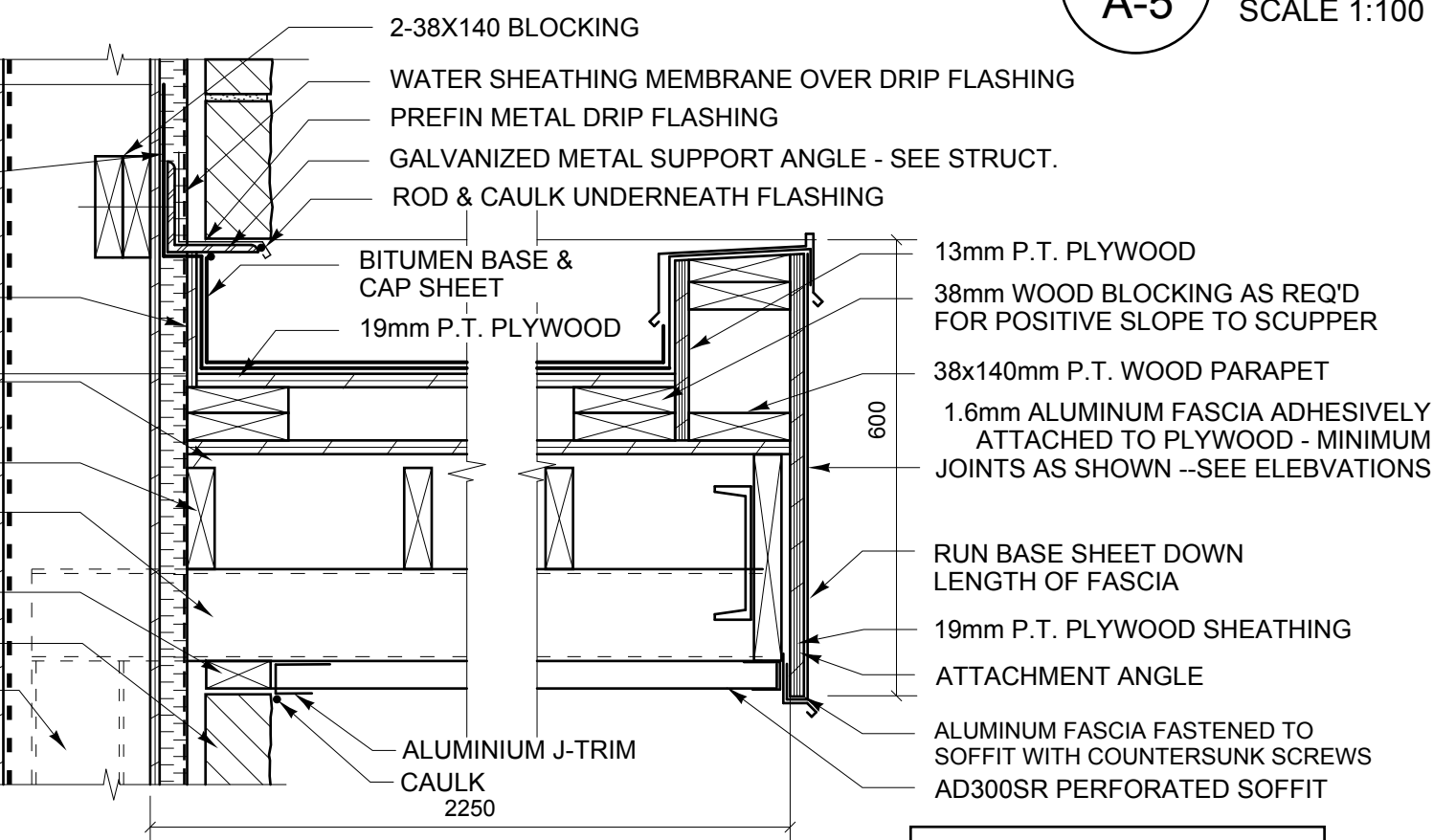
**13 EIFS REVEAL**  
A-5 SCALE 1:10



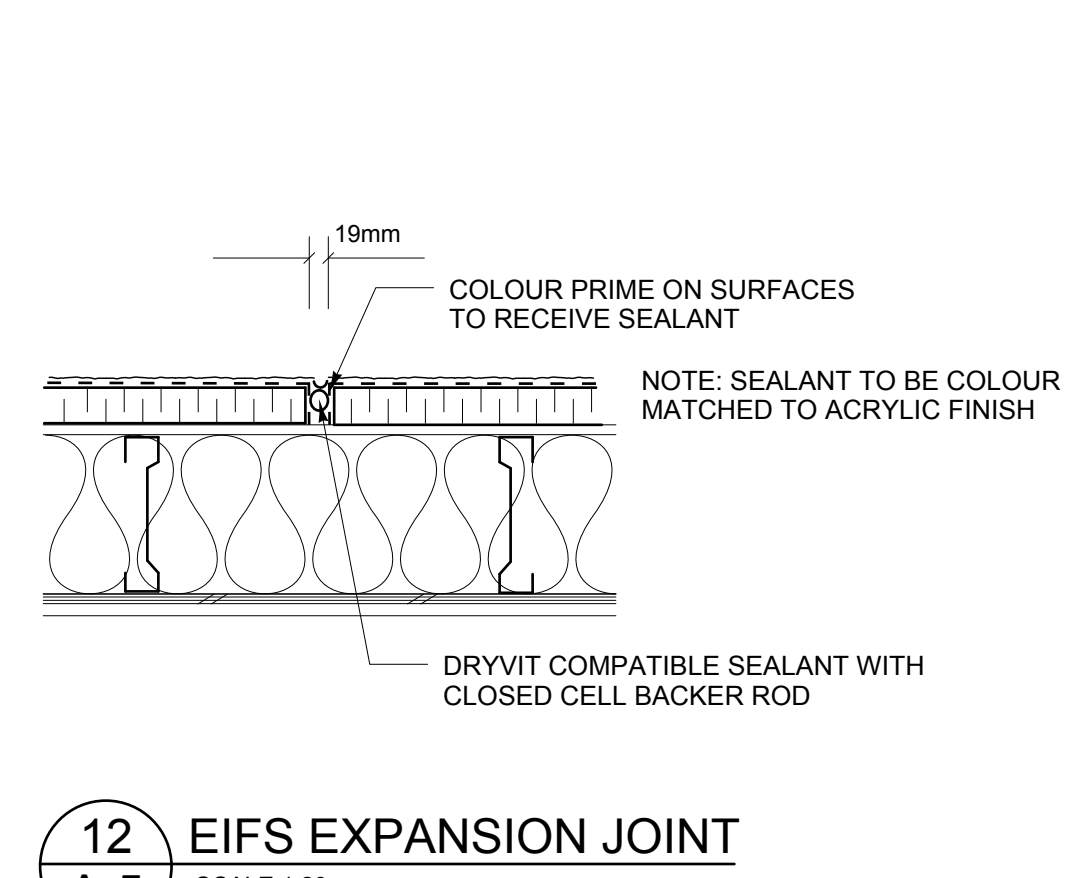
**14 CRAWLSPACE ACCESS LADDER**  
A-5 SCALE 1:10



**10 SECTION THRU CANOPY**  
A-5 SCALE 1:100



**11 MAIN ENTRANCE CANOPY**  
A-5 SCALE 1:20



**12 EIFS EXPANSION JOINT**  
A-5 SCALE 1:20

**revisions**

This drawing must not be scaled.

The general Contractor must verify all dimensions, datums and levels prior to commencement of work. All errors and omissions must be reported immediately to the Architect.

Variations and modifications to work shown on this drawing shall not be carried out without written permission from the Architect.

This drawing is the exclusive property of the Architect and cannot be reproduced without written permission of the Architect. Copyright © 2007.

**seals**

**engineers**

**architect**

**HAROLD FUNK ARCHITECT**

401-55 Donald Street Winnipeg MB R3C 1L8  
Tel. (204) 943-5087 Fax (204) 949-9231

**project**

**VALOUR COMMUNITY CENTRE GYMNASIUM ADDITION AND RENOVATIONS**

715 Telfer St. North, Winnipeg, Manitoba

**sheet title**

**BUILDING SECTIONS**

project no. 06 1288  
scale AS SHOWN  
drawn by B.P.  
approved by H.F.  
date 14 November 2007

sheet no.

**A-5**