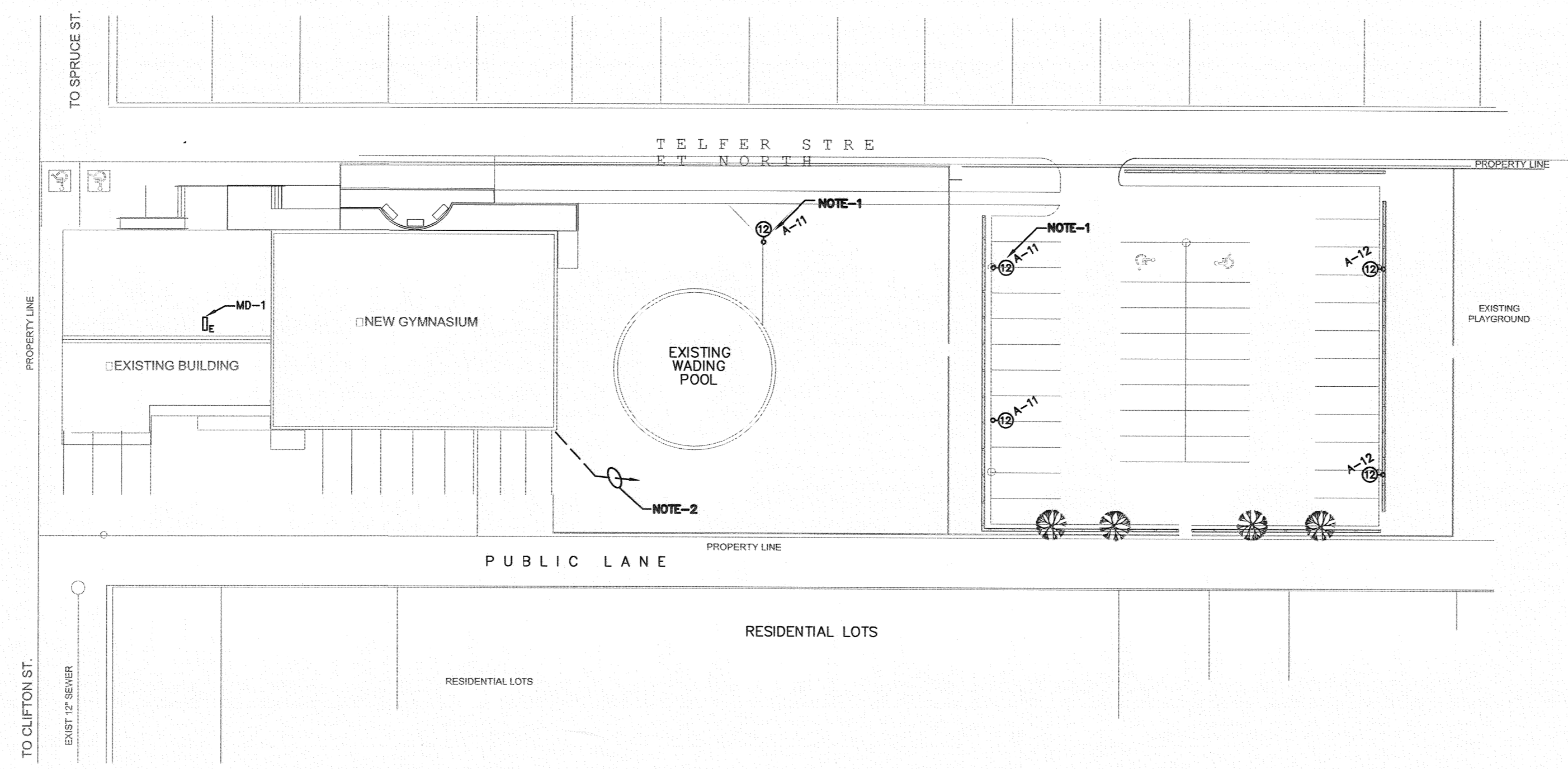


SYMBOL SCHEDULE

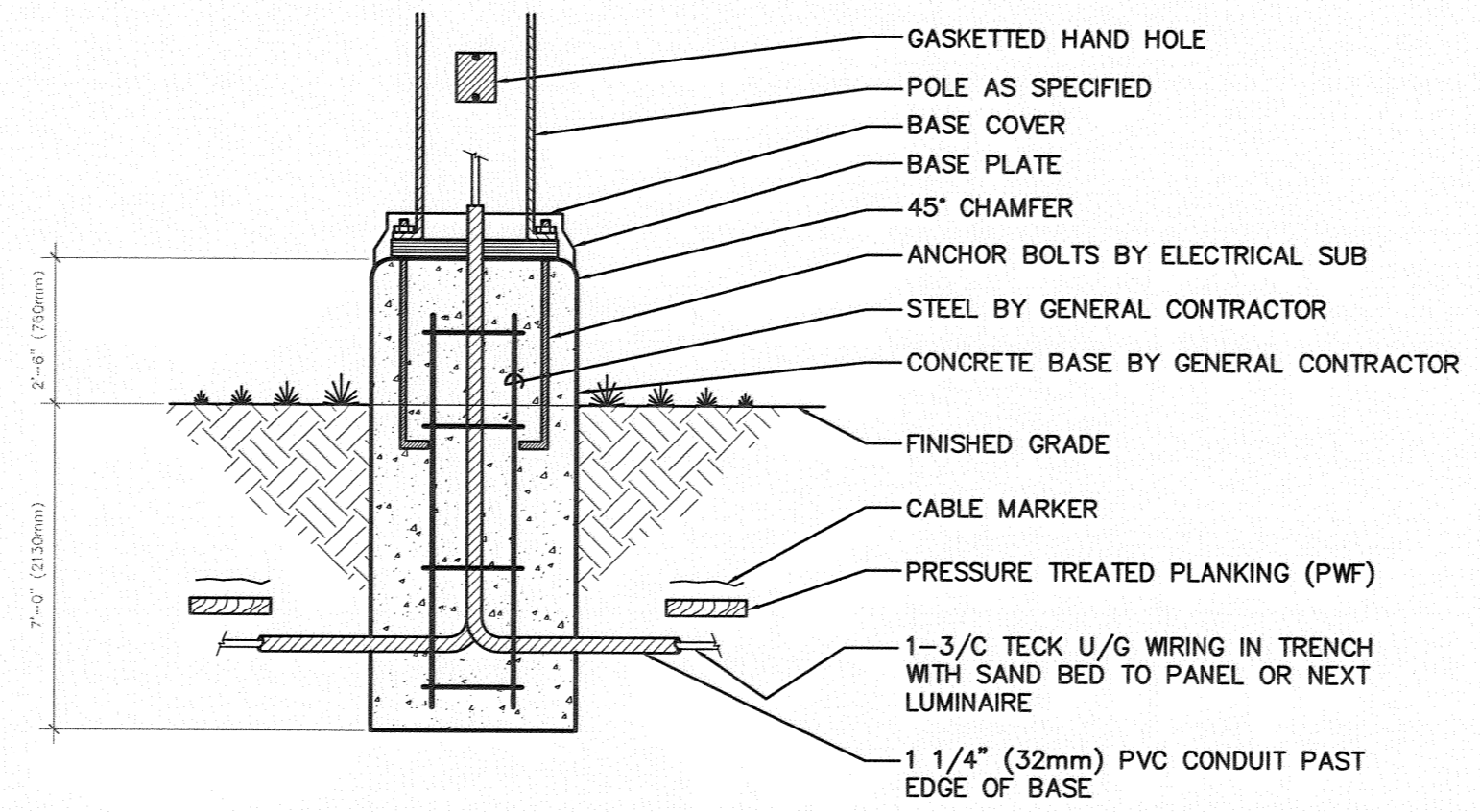
Ⓜ	FLUORESCENT LUMINAIRE ("1" DENOTES TYPE)
Ⓜ	LUMINAIRE ON EMERGENCY / NIGHT LIGHT CIRCUIT
Ⓞ	DOWNLIGHT LUMINAIRE
Ⓜ	LUMINAIRE WALL MTD.
Ⓜ	EXIT LIGHT ("1" DENOTES FIXTURE TYPE)
Ⓜ	EMERGENCY LIGHT FIXTURE WALL MTD.
Ⓜ	EMERGENCY BATTERY BANK C/W RECEPTACLE
Ⓜ	SINGLE POLE SWITCH
Ⓜ	2 - GANG SWITCH ("a" & "b" DENOTES SWITCHING)
Ⓜ	3 - WAY SWITCH
Ⓜ	DIMMER SWITCH ("1000W" DENOTES WATTAGE)
Ⓜ	DUPLEX RECEPTACLE
Ⓜ	5-20RA 120V 20A T-SLOT RECEPTACLE
Ⓜ	JUNCTION BOX
Ⓜ	DIRECT CONNECTION
Ⓜ	RANGE OUTLET
Ⓜ	MOTOR CONNECTION
Ⓜ	DISCONNECT SWITCH
Ⓜ	MANUAL MOTOR STARTER
Ⓜ	MAGNETIC MOTOR STARTER
Ⓜ	POWER PANEL
Ⓜ	SYSTEMS PANEL AS INDICATED
Ⓜ	TELEPHONE OUTLET (1 VOICE DROP)
Ⓜ	COMBINATION VOICE/DATA OUTLET (1 VOICE & 1 DATA DROPS)
Ⓜ	T.V. OUTLET
Ⓜ	SOUND OUTLET
Ⓜ	SOUND SPEAKER HORN WALL MTD.
Ⓜ	PUSHBUTTON
Ⓜ	BUZZER
Ⓜ	ELECTRIC HEATER ("A" DENOTES TYPE)
Ⓜ	THERMOSTAT
Ⓜ	SMOKE DETECTOR ("DM" DENOTES DUCT MTD.)
Ⓜ	HEAT DETECTOR ("F.T." - FIXED TEMP.)
Ⓜ	FIRE ALARM MANUAL PULL STATION
Ⓜ	FIRE ALARM STROBE/HORN
Ⓜ	MICROPHONE OUTLET

ABBREVIATIONS

C	MTD. ABOVE COUNTER
CLG	CEILING MOUNTED
D	DELETE
DW	DISHWASHER
E	EXISTING
EBB	EMERGENCY BATTERY BANK
FR	FRIDGE
FZ	FREEZER
GFI	GROUND FAULT INTERRUPTER
MC	MICROWAVE
NL	NIGHT LIGHT
R	RELOCATE(D)
HD	HAND DRYER
WP	WEATHER PROOF

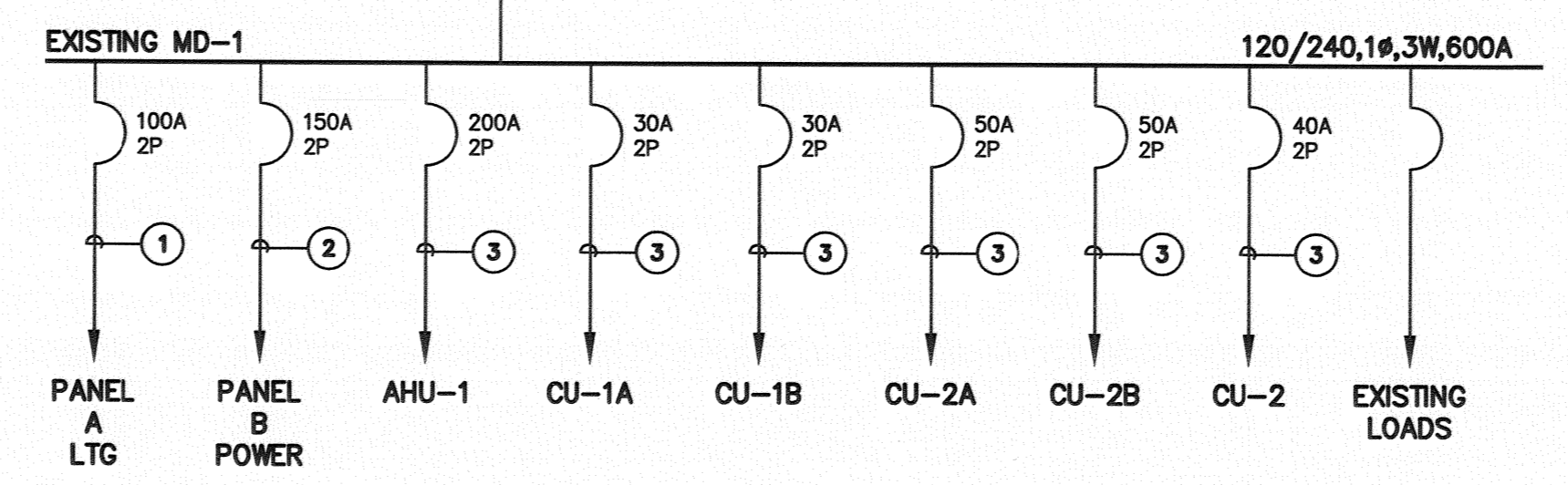


- NOTES:**
- REFER TO DETAIL 2/E-1 FOR POLE MOUNTED LUMINAIRE DETAIL.
 - FEEDER TO WADING POOL PUMP. LOCATION SHALL BE CO-ORDINATED WITH OWNER.



2 POLE MOUNTED LUMINAIRE BASE DETAIL
SCALE: NTS

TYPE	DESCRIPTION	AMPACITY
1	3 #3 RW90 IN 1 1/4"C	105
2	3 #16 RW90 IN 1 1/2"C	155
3	SEE MOTOR SCHEDULE	



3 SINGLE LINE
SCALE: NTS

1 SITE PLAN - ELECTRICAL LAYOUT
SCALE: 1:400

1 ISSUED FOR TENDER DG 2007.11.13
revisions

This drawing must not be scaled.
The general Contractor must verify all dimensions, details and levels prior to commencement of work. All errors and omissions must be reported immediately to the Architect.
Variations and modifications to work shown on this drawing shall not be carried out without written permission from the Architect.
This drawing is the exclusive property of the Architect and cannot be reproduced without written permission of the Architect. Reproduction must bear the name of the Architect. Copyright © 2006.

seals

APEGN
Certificate of Authorization
MCW/AGE Consulting
Professional Engineers
No. 589 Expiry: April 30, 2008



engineers

5603
MCW / AGE
Consulting Professional Engineers
A member of the MCW Group of Companies
1821 Wellington Avenue, Suite 210, Winnipeg, MB, R3H 0G4
PHONE: (204) 778-7900 FAX: (204) 778-1118
454 Somerset Street West, Ottawa, Ontario K1R 5J8
740 Nicola Street, Suite 200, Vancouver, B.C. V6G 2C1
156 Front Street West, Suite 600, Toronto, Ontario M5J 1L6

architect
HAROLD FUNK ARCHITECT INC.

8320-55 Donald Street
Winnipeg, Manitoba
Canada R3C 1L8
Tel.: 204 943 5087
Fax: 204 949 9231
E-mail: funkarch@mts.net

project
VALOUR COMMUNITY CENTRE GYMNASIUM ADDITION AND REVOVATIONS
715 Telfer St. North, Winnipeg, Manitoba
sheet title
SITE PLAN ELECTRICAL LAYOUT

project no. 5603
scale :AS SHOWN
drawn by: AJ
approved by: REE
date November 9, 2007

sheet no.
E-1