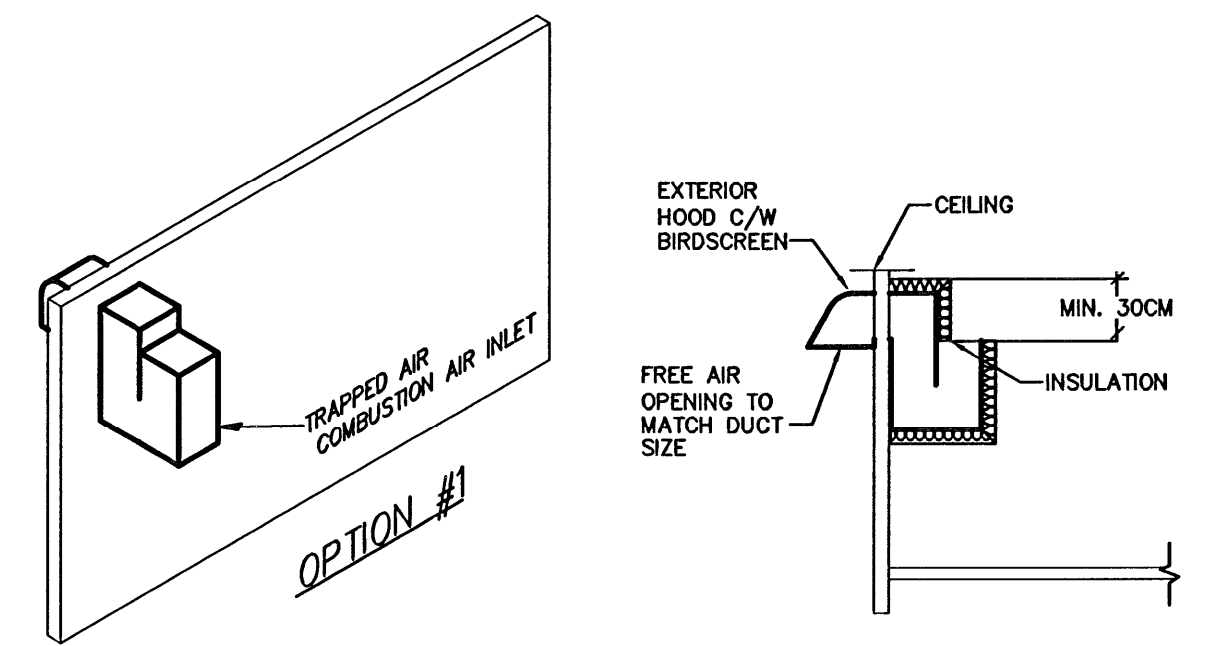
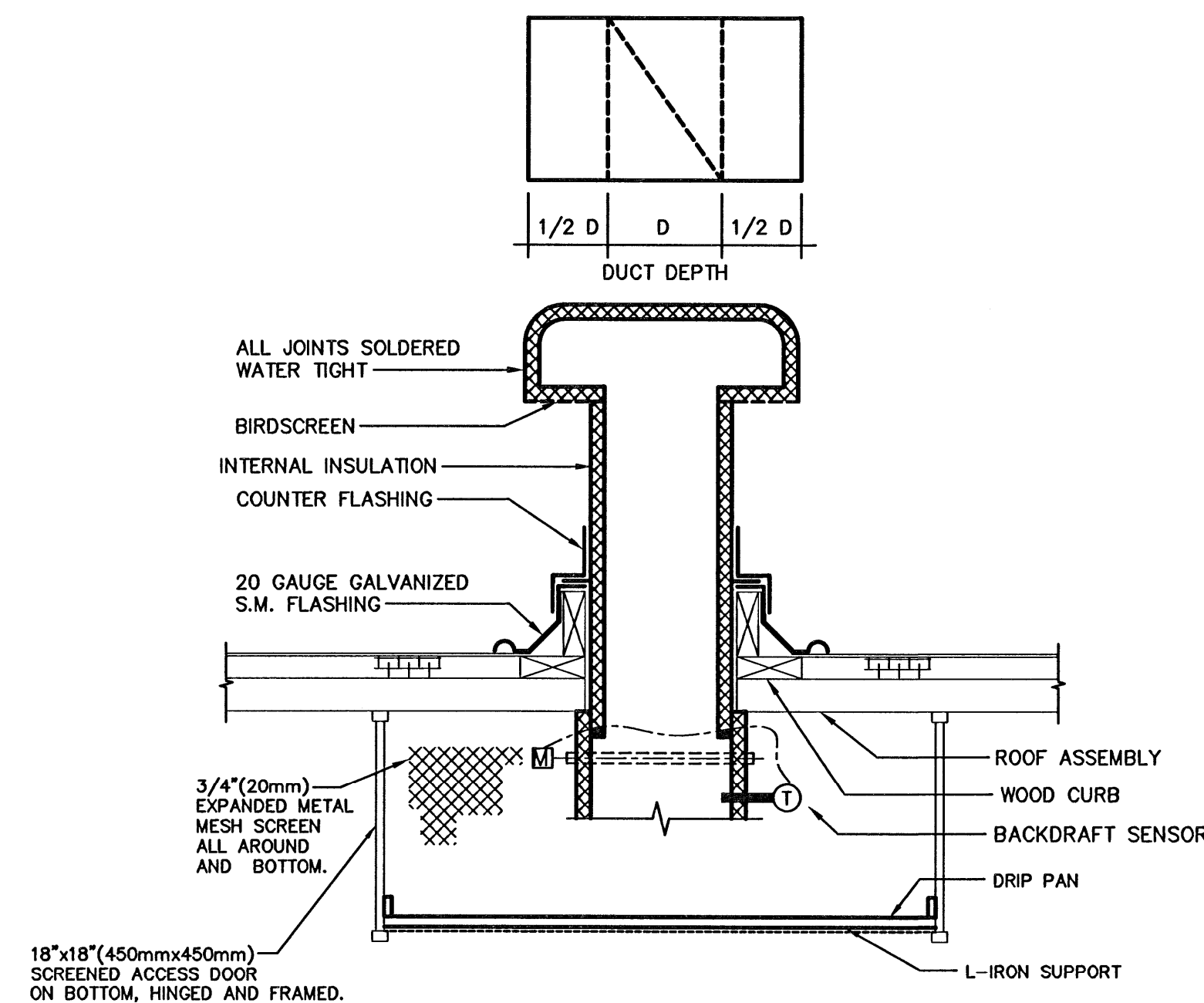


1 DUCT SUPPORT DETAIL:  
SCALE: N.T.S.



NOTE:  
\* REQUIREMENTS OF GAS CODE, GAS NOTICES AND AUTHORITY HAVING JURISDICTION TAKE PRECEDENCE OVER THIS DETAIL.

2 COMBUSTION AIR DETAIL:  
SCALE: N.T.S.



3 RELIEF AIR DETAIL:  
SCALE: N.T.S.

3 ISSUED FOR TENDER SR 2007.11.14  
2 ISSUED FOR 100% REVIEW DG 2007.07.06  
1 ISSUED FOR 99% REVIEW DG 2007.06.29  
revisions

This drawing must not be scaled.

The general Contractor must verify all dimensions, details and levels prior to commencement of work. All errors and questions must be reported immediately to the Architect.

Variations and modifications to work shown on this drawing shall not be carried out without written permission from the Architect.

This drawing is the exclusive property of the Architect and cannot be reproduced without written permission of the Architect. Reproduction must bear the name of the Architect. Copyright © 2006.

seals



**APEGM**  
Certificate of Authorization  
MCW/AGE Consulting  
Professional Engineers  
No. 589 Expiry: April 30, 2008

engineers

**MCW / AGE**  
Consulting Professional Engineers  
210-1521 Wellington Avenue  
Winnipeg, Manitoba R2H 0G4  
Phone: (204) 779-7900 Fax: (204) 779-1119  
E-Mail: mcw\_age@mcw-ars.com

5603

architect

**HAROLD  
FUNK  
ARCHITECT INC.**

#300-55 Donald Street  
Winnipeg, Manitoba  
Canada R3C 1J6

Tel: 204 943 5387  
Fax: 204 949 9231  
E-mail: funkarch@mts.net

project  
**VALOUR COMMUNITY CENTRE  
GYMNASIUM ADDITION AND  
RENOVATIONS**  
715 Telfer St. North, Winnipeg, Manitoba

sheet title

**MECHANICAL DETAILS**

project no. 5603  
scale :AS SHOWN  
drawn by: RK  
approved by: SR  
date July 6, 2007

sheet no.

**M-5**