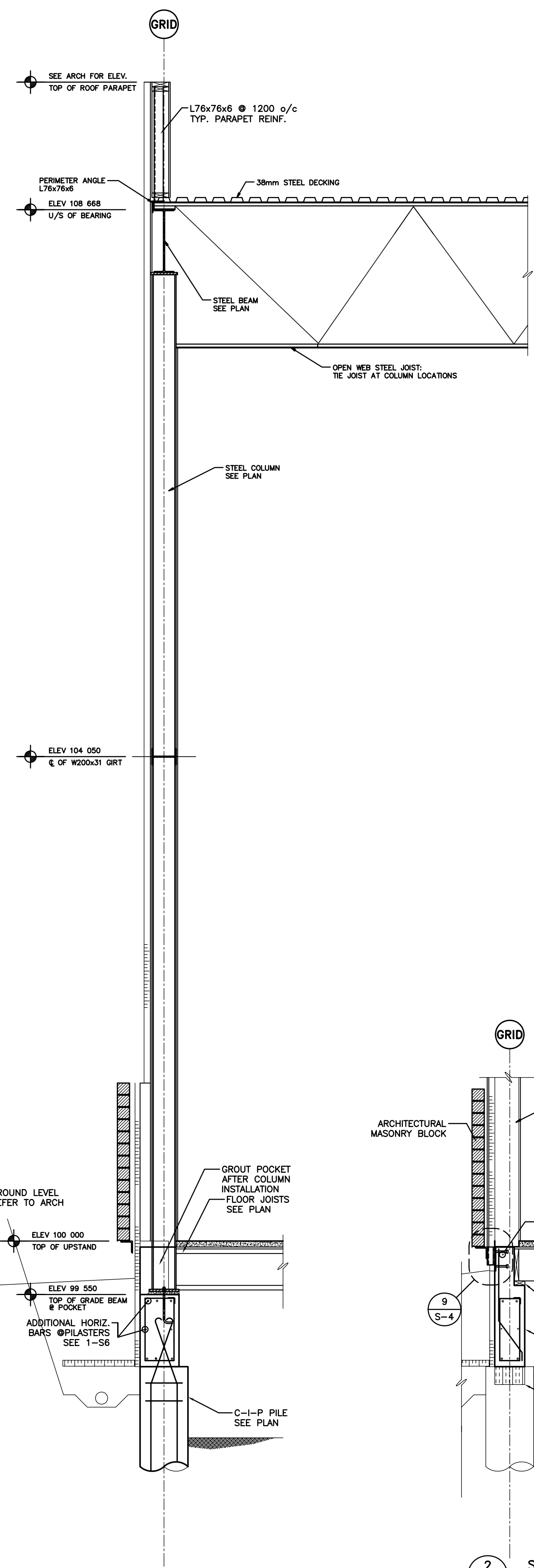
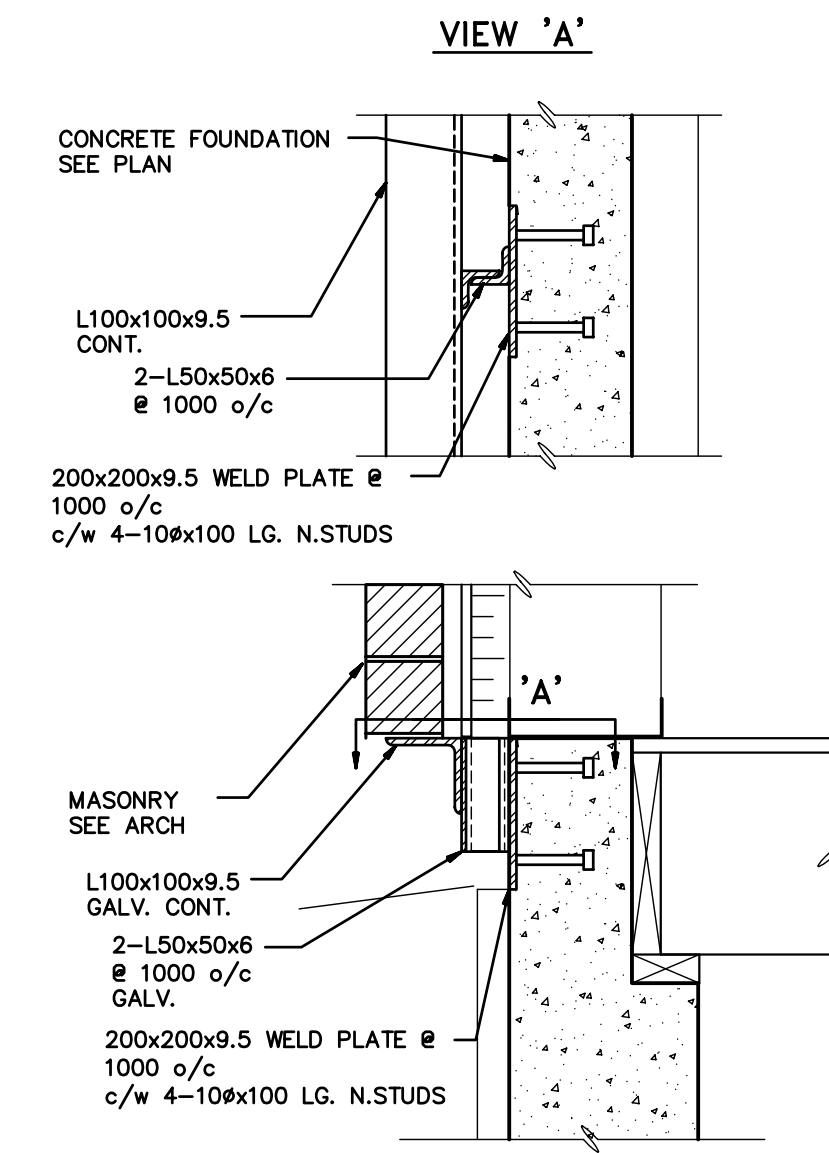


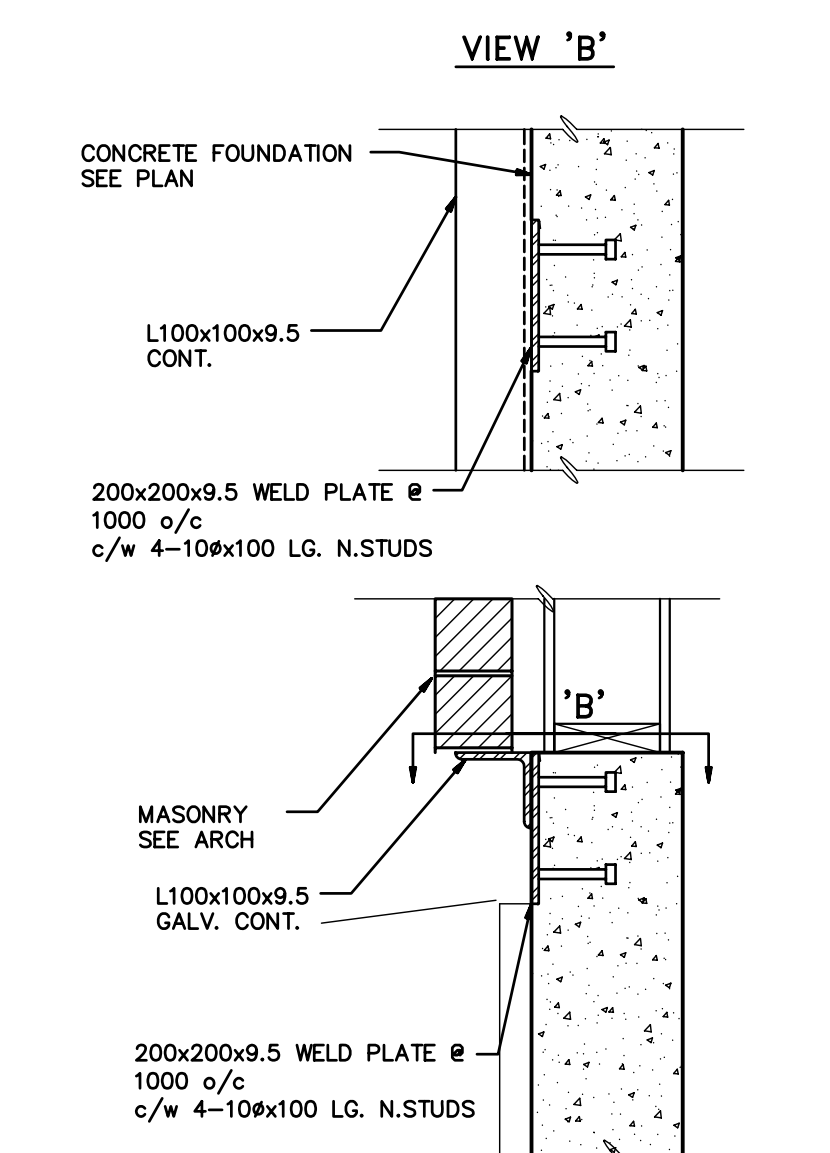
Plotted: 06-02-07 at 10:31:38 - Layout: "S-1" - Plot Scale: "1/8" = 1' = 11" = 11"
 CAD file by: "Unknown CAD User" - "C:\Work\Custom\Std Sheets\WOLFROM\METRIC.dwt"



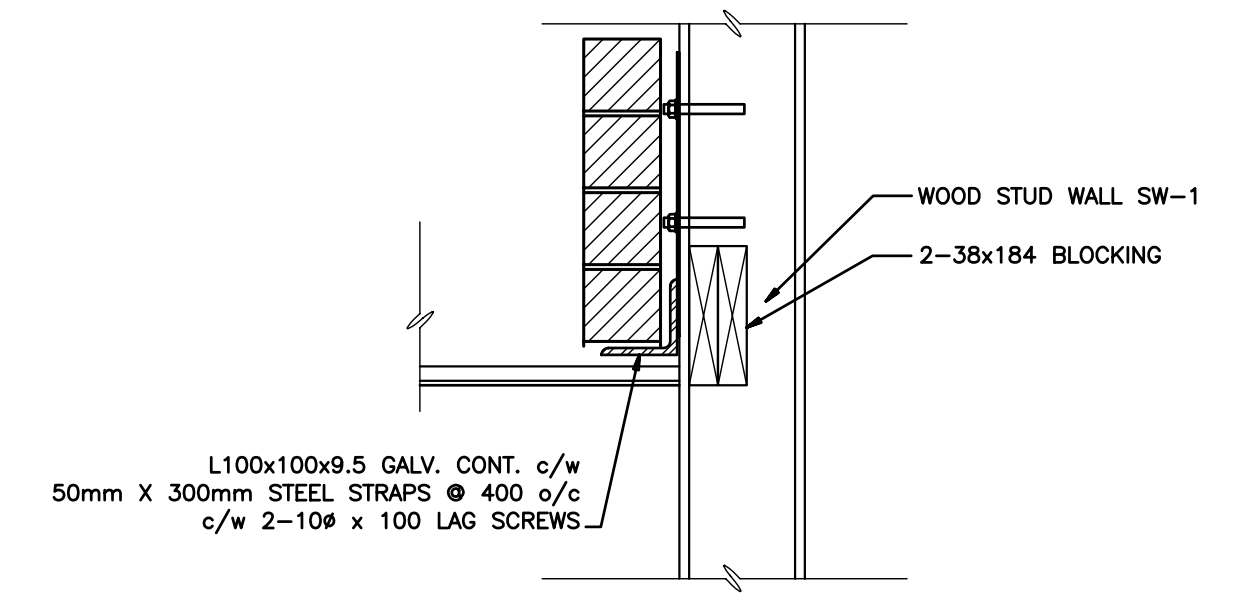
1 SECTION
S-4 1 : 25



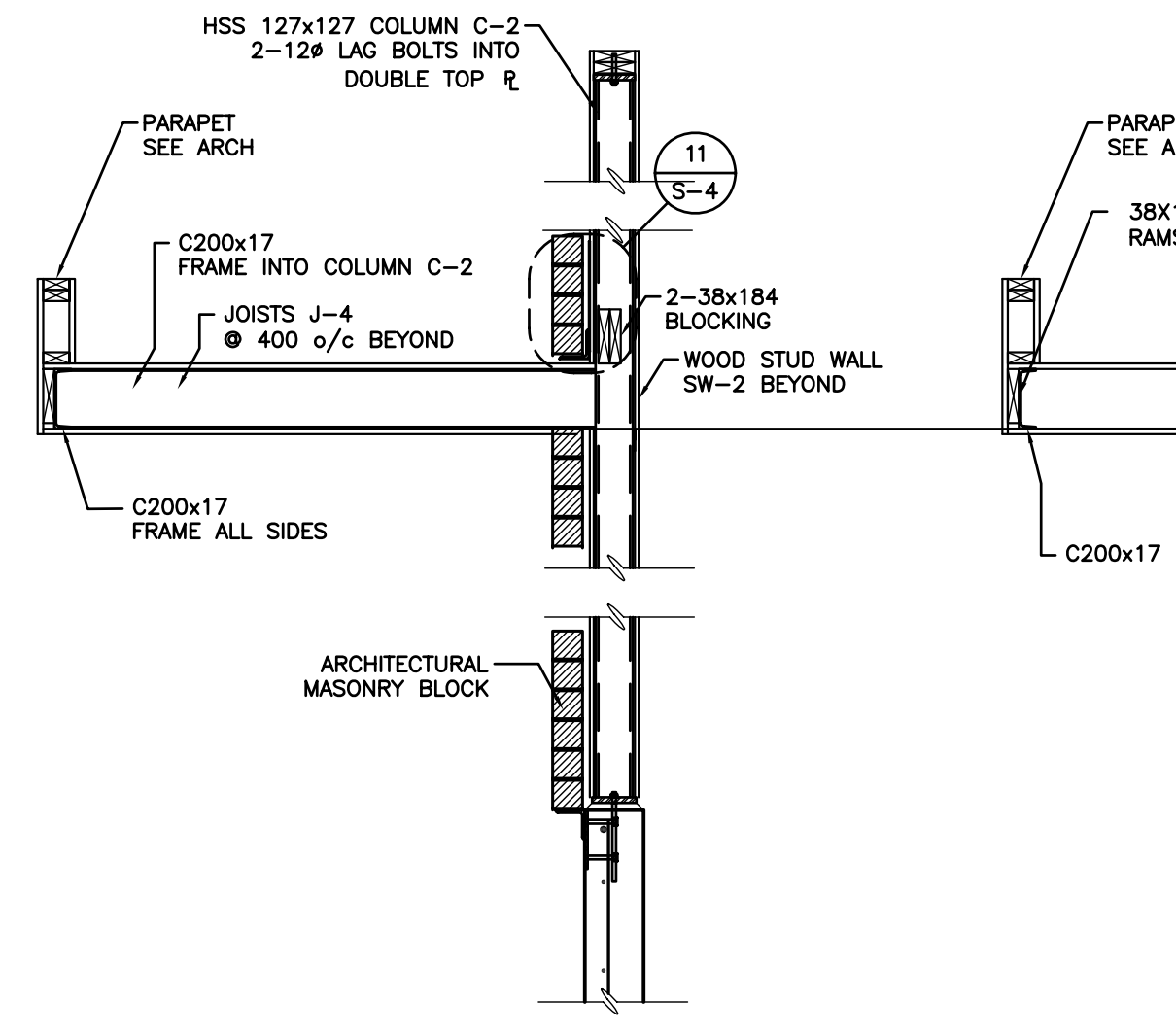
9 SECTION
S-4 1 : 10



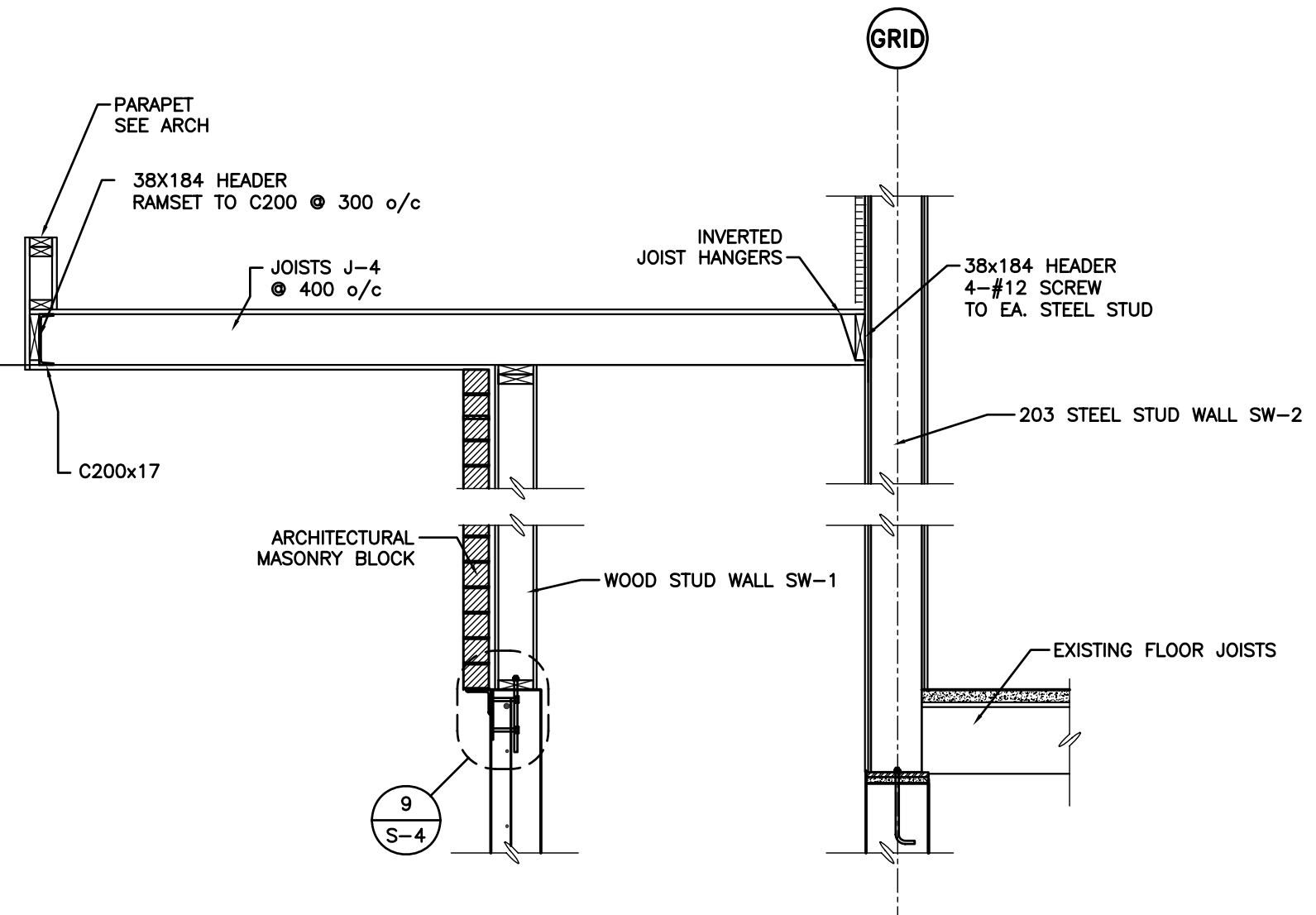
10 SECTION
S-4 1 : 10



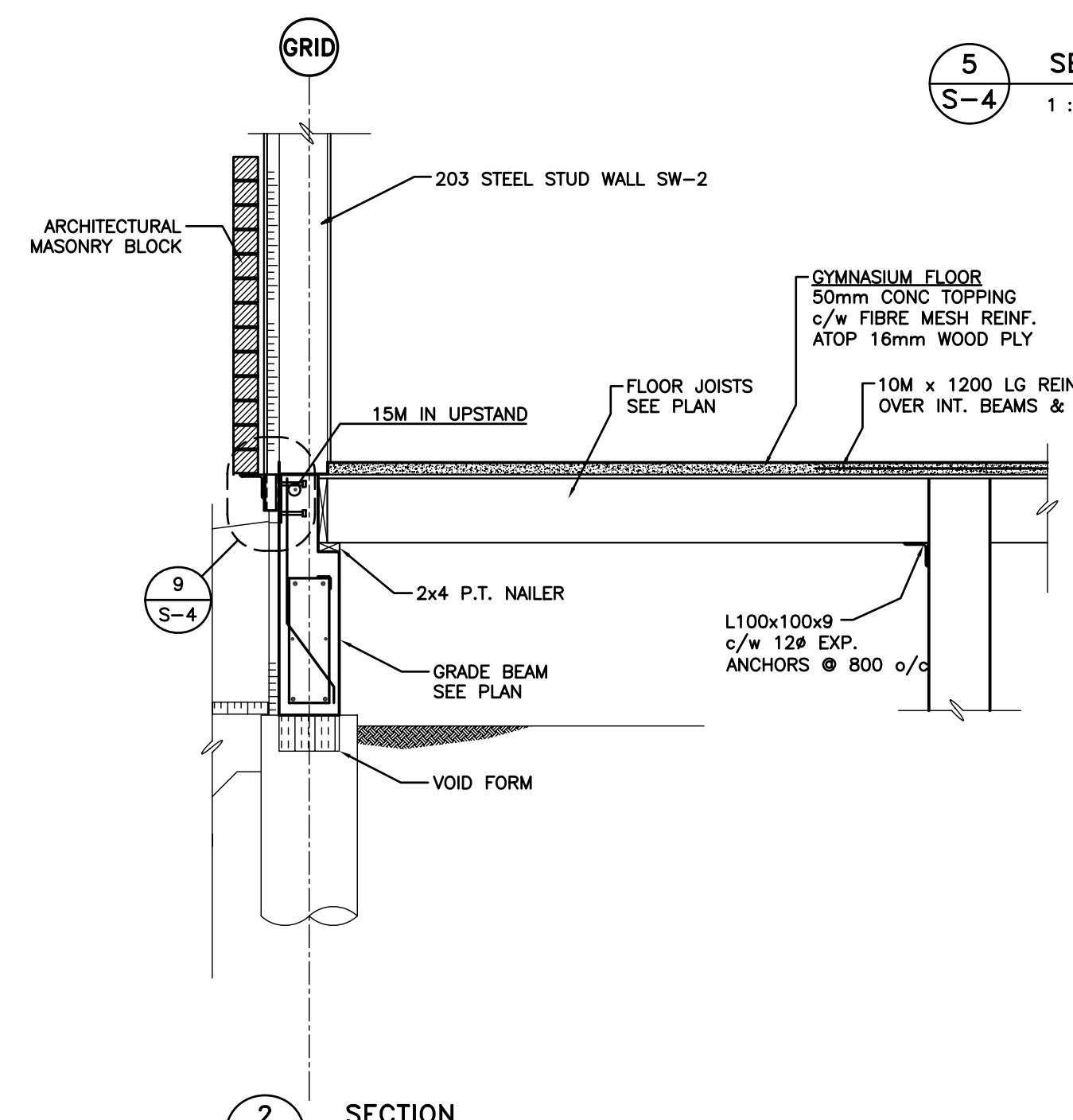
11 SECTION
S-4 1 : 10



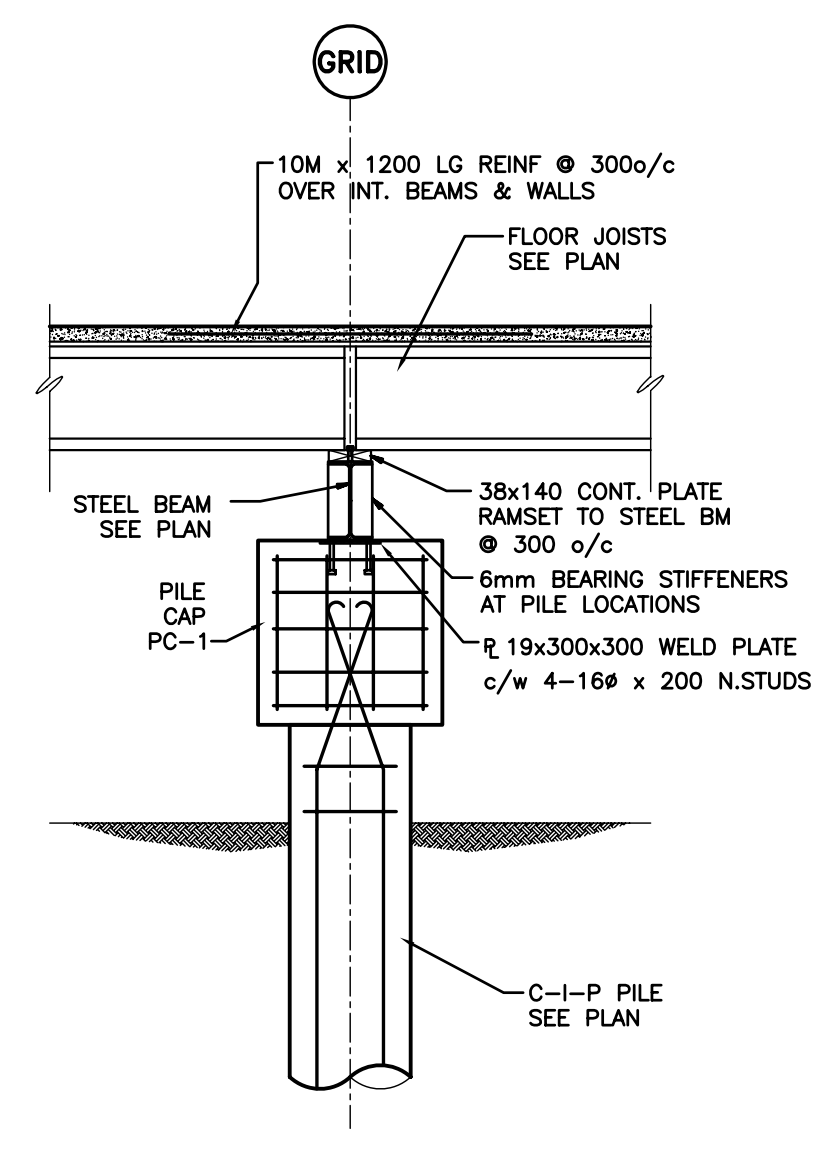
5 SECTION
S-4 1 : 25



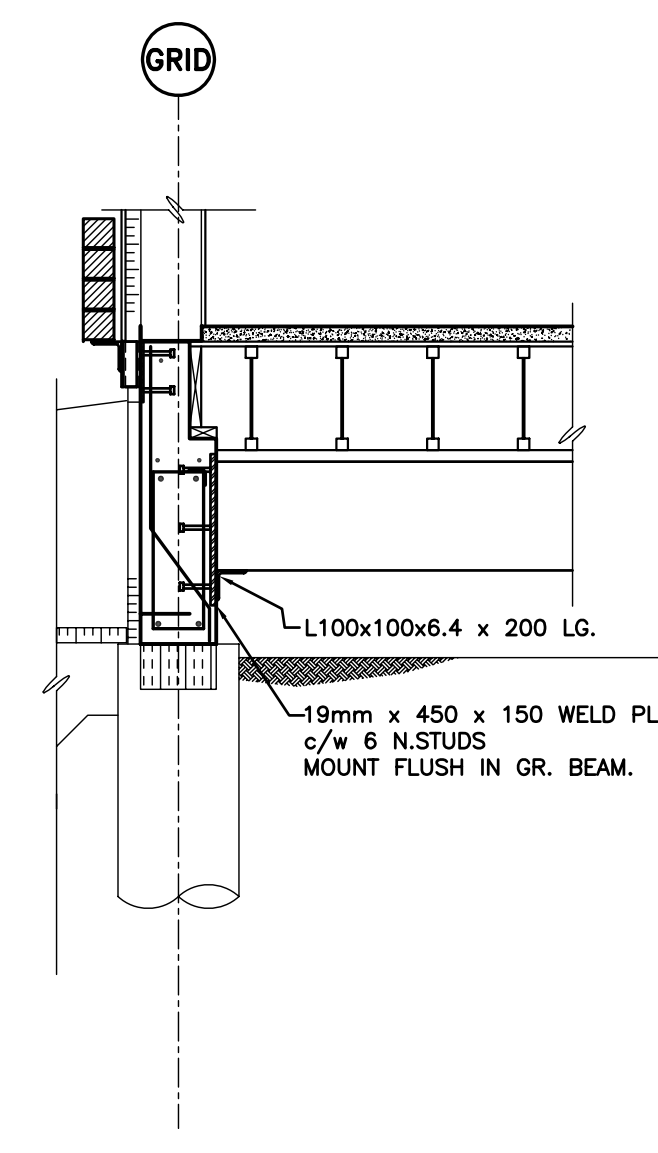
6 SECTION
S-4 1 : 25



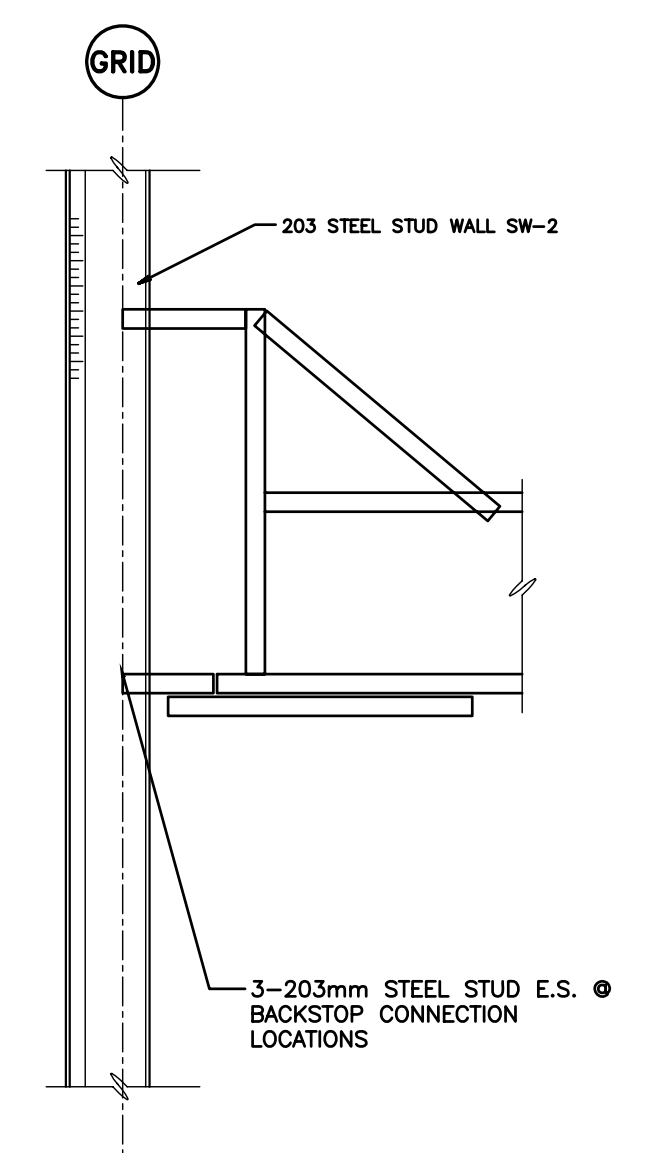
2 SECTION
S-4 1 : 25



3 SECTION
S-4 1 : 25



4 SECTION
S-4 1 : 25



8 SECTION
S-4 1 : 25

| | | | |
|---|---------------------|----------|-----|
| 2 | 95% SUBMISSION | 07.07.06 | SRB |
| 1 | UPDATED FOR PRICING | 07.04.11 | SRB |
| 0 | FOR PRICING | 07.03.30 | SRB |

WOLFROM ENGINEERING LTD
 CONSULTING ENGINEERS
 3445 WARDLAW AVENUE
 WINNIPEG, CANADA R3L 0L5
 (204) 452-0041 FAX: 284-8680
 E-Mail: info@wolfromeng.com

SEAL

JOB TITLE
VALOUR COMMUNITY CENTRE
 GYMNASIUM ADDITION AND
 RENOVATIONS
 715 TELFER STREET N. WINNIPEG

DRAWING TITLE
SECTIONS AND DETAILS

| | | |
|----------|-----------|----------------|
| DRAWN BY | SCALE | DRAWING NO. |
| SRB | AS NOTED | S-4 |
| FILE NO. | DATE | REVISION NO. 2 |
| W06440 | JULY 2007 | |