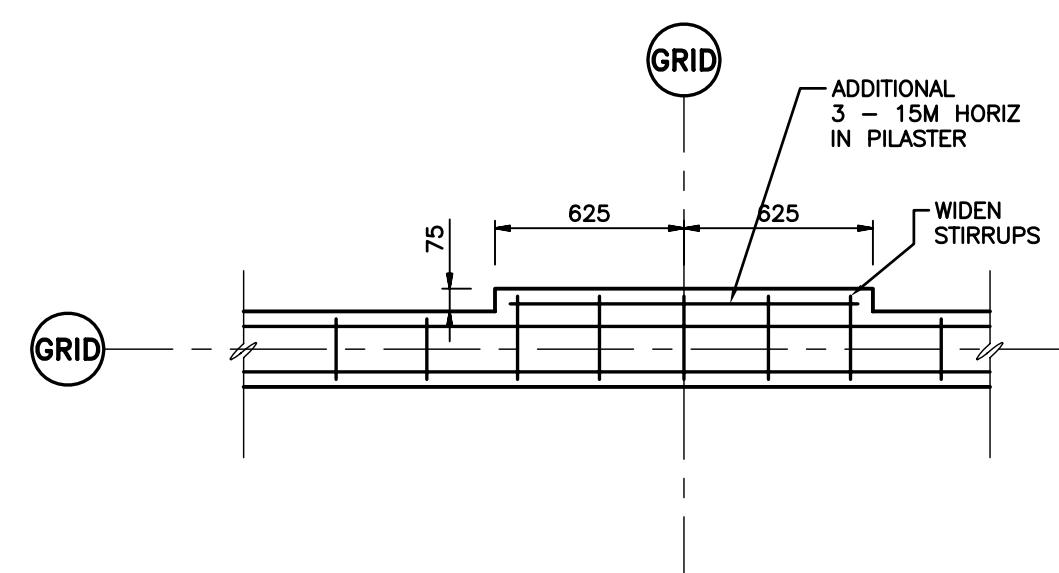
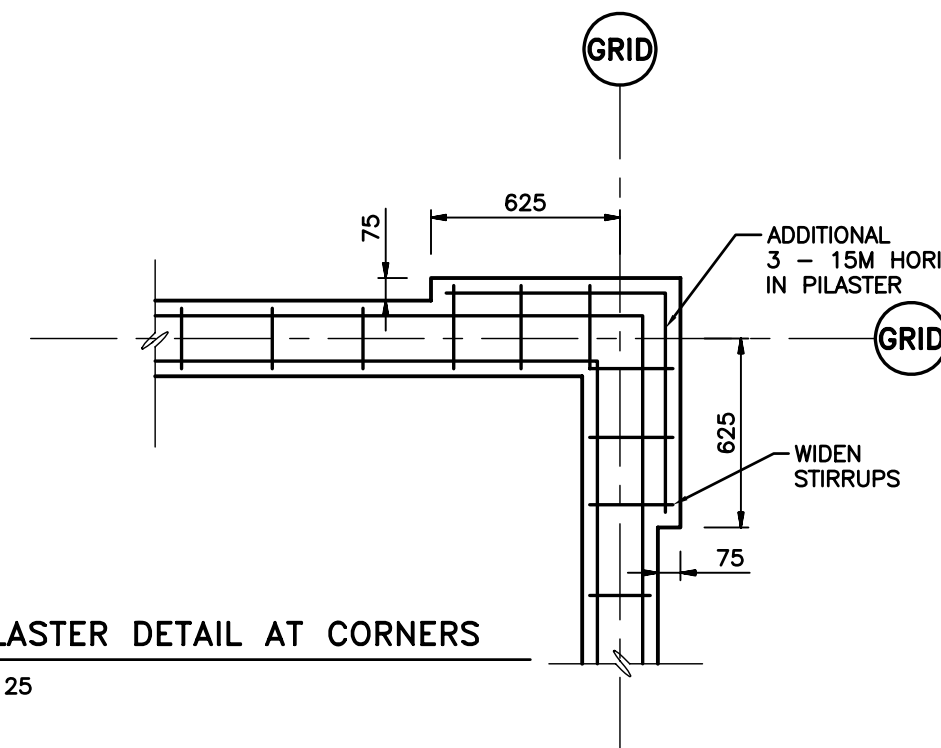


3 NAILING & GUSSETS FOR TRUSS LAMINATING
S-6 N.T.S.



1 PILASTER DETAIL AT COLUMNS
S-6 1 : 25



2 PILASTER DETAIL AT CORNERS
S-6 1 : 25

2	95% SUBMISSION	07.07.06	SRB
1	UPDATED FOR PRICING	07.04.11	SRB
0	FOR PRICING	07.03.30	SRB

WOLFROM ENGINEERING LTD
CONSULTING ENGINEERS
3445 WARDLAW AVENUE
WINNIPEG, CANADA R3L 0L5
(204)452-0041 FAX: 284-8680
E-Mail: info@wolfromeng.com

SEAL

JOB TITLE
**VALOUR COMMUNITY CENTRE
GYMNASIUM ADDITION AND
RENOVATIONS**
715 TELFER STREET N. WINNIPEG

DRAWING TITLE
**SECTIONS
AND DETAILS**

DRAWN BY SRB/JR	SCALE AS NOTED	DRAWING NO. S-6
FILE NO. W06440	DATE NOV 2007	REVISION NO. 2