

A1 SIZE - 594mm x 841mm
 LAST SAVE: 2008/01/09 - 10:24am
 PATH: M:\113063\ENGR\47ELE\DD - General DWG\1-0600M-E0002-001-00.dwg

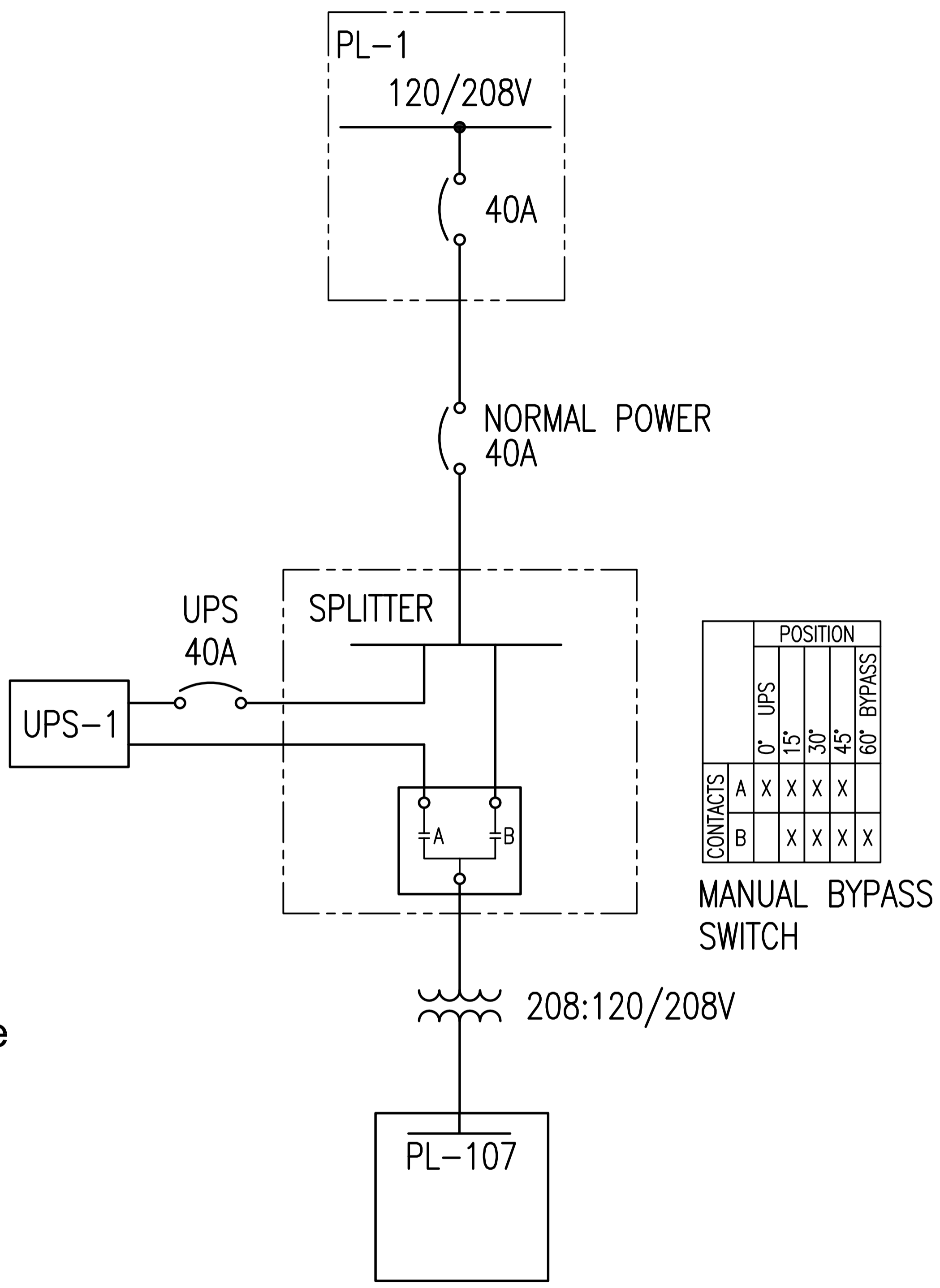
UPS-1 INSTRUCTIONS

Startup Procedure

1. Turn the Manual Bypass Switch to the *Bypass* position.
2. Ensure that the "Normal Power" breaker is closed and supplying power.
3. Close the "UPS" supply breaker to provide power to the UPS.
4. Turn on the UPS battery circuit breaker, located at the rear of the UPS.
5. Using the ↑ button, select the *Control* menu and press the → button.
6. Press ← to select the *Go to Bypass Mode* option.
7. Wait for the Ⓢ indicator to illuminate on the UPS.
8. Turn the Manual Bypass Switch to the *UPS* position.
9. Press the ← button to select the *Go To Normal Mode* option.
10. Press the *ESC* button until the Eaton Powerware logo appears.

Shutdown Procedure

1. Using the ↑ button, select the *Control* menu and press the → button.
2. Press ← to select the *Go to Bypass Mode* option.
3. Wait for the Ⓢ indicator to illuminate on the UPS.
4. Turn the Manual Bypass Switch from the *UPS* position to the *Bypass* position.
5. Press the ↑ button on the front panel display and then press the → button to select the *TURN UPS ON/OFF* menu.
6. Press the ↓ button to select the *TURN UPS OFF* option; press the ← button.
7. Confirm the selection. Press and hold the ← button for three seconds, until the UPS stops beeping.
8. Turn off the UPS battery circuit breaker, located at the rear of the UPS.
9. Open the "UPS" source breaker.



B.M. ELEV.	FIELD BOOK #:	 SNC-LAVALIN INC. 148 Nature Park Way Winnipeg, MB, Canada R3P 0X7 204-786-8080	ENGINEER'S SEAL
POSTED TO LBIS			PRELIMINARY NOT TO BE USED FOR CONSTRUCTION
DESIGNED BY	C. REIMER	CHECKED BY	C. REIMER
DRAWN BY	E. BOHNCKE	APPROVED BY	C. REIMER
HOR. SCALE	NTS	RELEASED FOR CONSTRUCTION	
VERTICAL	NTS	DATE	2007/10/11
0 ISSUED FOR TENDER	2008/01/08	AEO	
NO. REVISIONS	DATE	BY	FILENAME: 1-0600M-E0002-001-00.dwg

 THE CITY OF WINNIPEG WATER AND WASTE DEPARTMENT		
SHOAL LAKE INTAKE UPS UPGRADES OPERATING INSTRUCTIONS UPS-1		
CITY DRAWING NUMBER	SHEET	REV. SIZE
1-0600M-E0002	001	0 A1