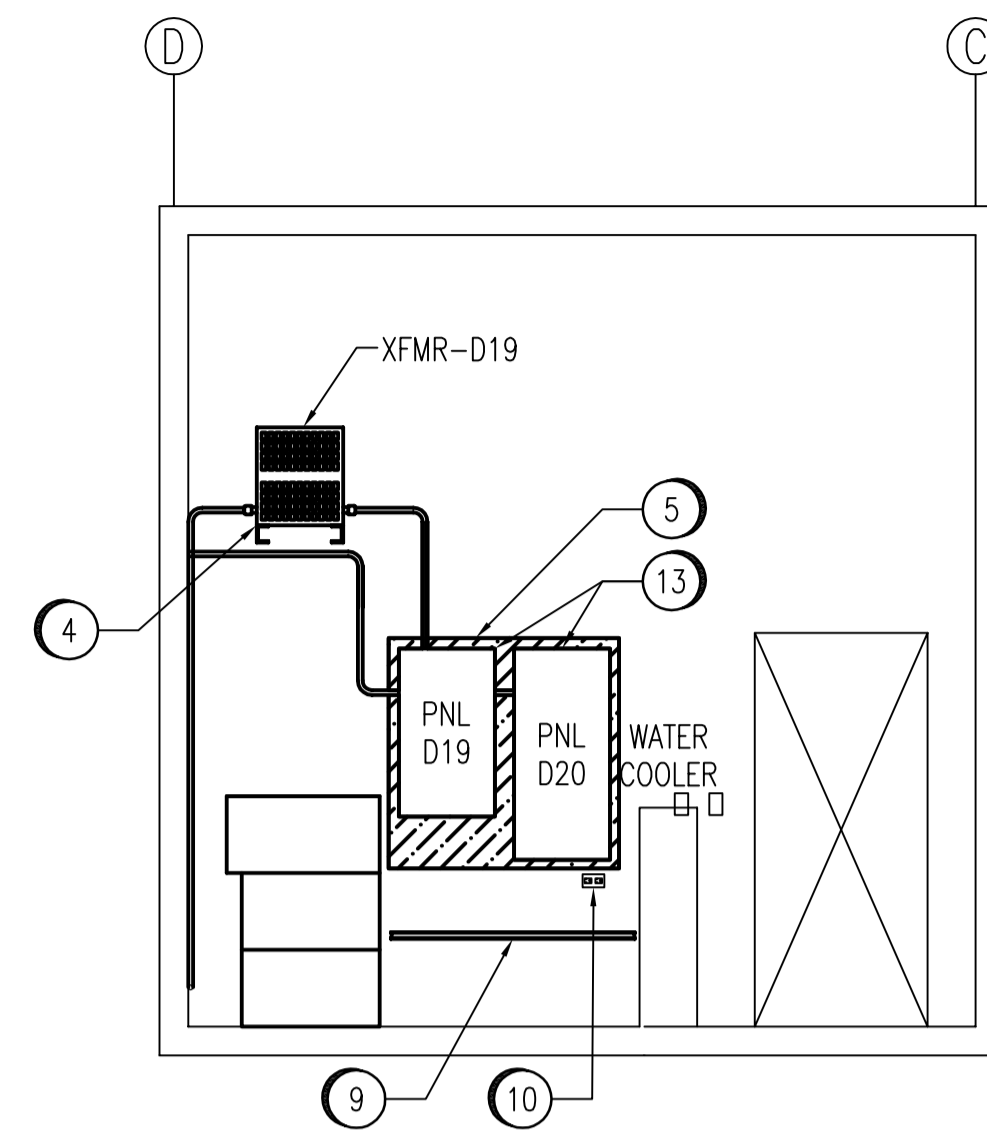
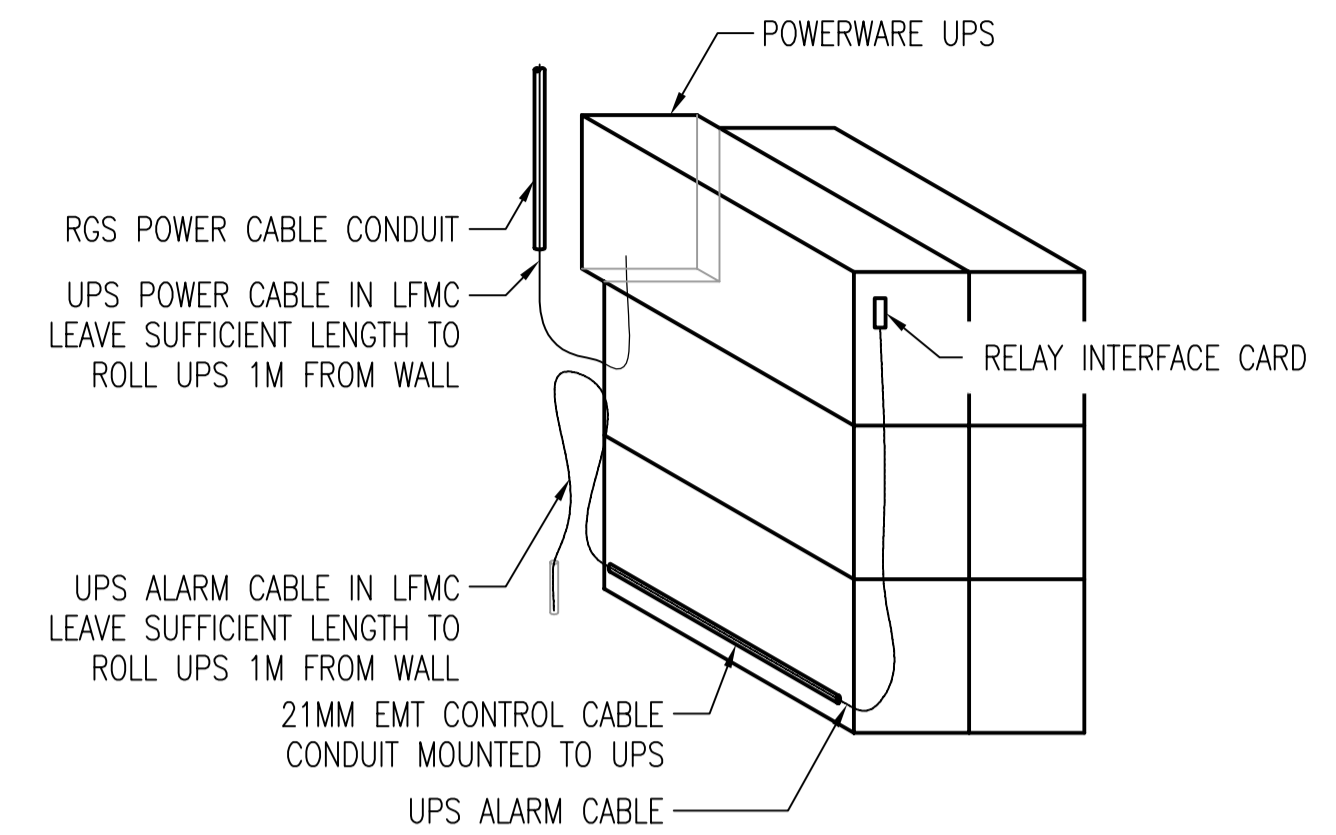


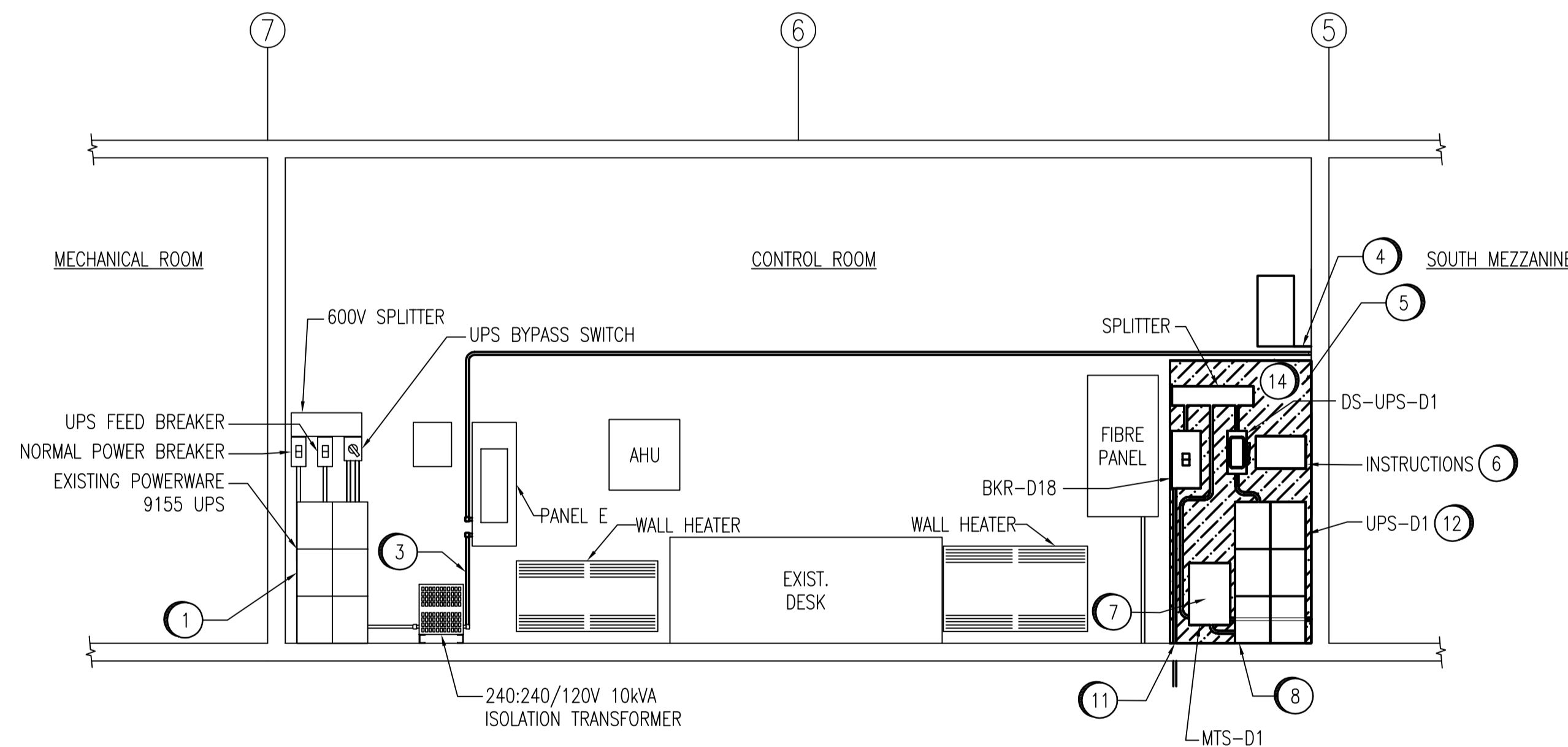
ELECTRICAL ROOM PLAN (EL 232.45)
SCALE: N.T.S.



SECTION H
SCALE: N.T.S.



DETAIL 1
SCALE: N.T.S.



SECTION C
SCALE: N.T.S.

| NO. | CONSTRUCTION NOTES |
|-----|---|
| 1 | RELOCATE EXISTING POWERWARE 9155, 10 kVA UPS TO MACLEAN PUMPING STATION AFTER NEW UPS INSTALLATION IS COMPLETE AND COMMISSIONED. REMOVE ASSOCIATED FLEXIBLE CONDUIT AND CLOSE HOLES IN THE UPS FEED BREAKER AND UPS BYPASS SWITCH. |
| 2 | REMOVE AND DISPOSE OF EXISTING POWERWARE PLUS 12 UPS FROM THE STATION. |
| 3 | REMOVE WIRING BETWEEN EXISTING ISOLATION TRANSFORMER AND PANEL E. DO NOT INTERRUPT POWER TO PANEL E WITHOUT APPROVAL OF THE CONTRACT ADMINISTRATOR. |
| 4 | INSTALL XFRM-D19 A MINIMUM OF 2.5M ABOVE THE FLOOR. PROVIDE WALL/CEILING MOUNT BRACKETS AS REQUIRED. INSTALL NON-COMBUSTIBLE INSULATING BOARD OVER DRYWALL TO MEET CEC REQUIREMENTS. GROUND XFRM-D19 WITH SEPARATE 6 AWG BARE COPPER WIRE TO THE STATION GROUND. DO NOT CONNECT TO A COMMON GROUNDING CONDUCTOR SMALLER THAN 2/0 AWG. |
| 5 | INSTALL 18mm PLYWOOD OVER DRYWALL AS SHOWN. PAINT PLYWOOD GRAY, TO MATCH EXISTING PAINT IN THE CONTROL ROOM. |
| 6 | MOUNT A COPY OF DRAWING 1-0620D-E0007 NEAR THE UPS, WITH A CLEAR PLEXIGLASS COVER. |
| 7 | MOUNT TRANSFER SWITCH MTS-D1 TO ALLOW FOR STRAIGHTFORWARD OPERATION OF THE TOP MOUNTED CONTROL HANDLE. |
| 8 | INSTALL UPS ALARM CABLE AS PER DRAWING 1-0620D-A0001. PROTECT CABLE IN 21MM EMT CONDUIT. |
| 9 | INSTALL UNISTRUT CHANNEL AS SHOWN TO CLIP CONDUIT AND FUTURE CABLES. |
| 10 | RELOCATE EXISTING RECEPTACLE AND WIRING AS REQUIRED TO ENSURE THAT RECEPTACLE CONDUCTORS ARE NOT DAMAGED BY FUTURE WIRING TO PNL-D20. |
| 11 | SEAL ALL OPENINGS IN THE FLOOR WITH AN APPROVED FIRESTOP MATERIAL. |
| 12 | INSTALL AND CONFIGURE NEW POWERWARE 9155 UPS. FOLLOW MANUFACTURER INSTRUCTIONS UNLESS OTHERWISE NOTED. |
| 13 | INSTALL PANELBOARDS D19 AND D20 AS SHOWN. PROVIDE TYPEWRITTEN DIRECTORY AND LAMECOIDS FOR ALL BREAKERS WITH CONNECTED LOADS. |
| 14 | INSTALL SPLITTER, BREAKER, BKR-D18, AND DISCONNECT DS-UPS-D1 AS SHOWN. |

| | |
|----------------|--------------------|
| DRAWING NUMBER | REFERENCE DRAWINGS |
|----------------|--------------------|



| | |
|-----------------------|---------------------------|
| B.M. ELEV. | FIELD BOOK #: |
| POSTED TO LBIS | |
| DESIGNED BY C. REIMER | CHECKED BY C. REIMER |
| DRAWN BY A. OLIVER | APPROVED BY C. REIMER |
| HOR. SCALE NTS | RELEASED FOR CONSTRUCTION |
| VERTICAL NTS | DATE 2007/07/05 |
| 0 ISSUED FOR TENDER | 2008/01/08 AEO |
| NO. REVISIONS | DATE BY |

SNC-LAVALIN INC.
148 Nature Park Way
Winnipeg, MB, Canada R3P 0X7
204-786-8080

ENGINEER'S SEAL

PRELIMINARY
NOT TO BE USED FOR CONSTRUCTION

FILENAME: 1-0620D-E0004-001-00.dwg

THE CITY OF WINNIPEG
WATER AND WASTE DEPARTMENT

DEACON BOOSTER PUMPING STATION
UPS UPGRADES
PLAN VIEW
UPS-D1 INSTALLATION

CITY DRAWING NUMBER: 1-0620D-E0004

SHEET: 001 REV: 0 SIZE: A1