

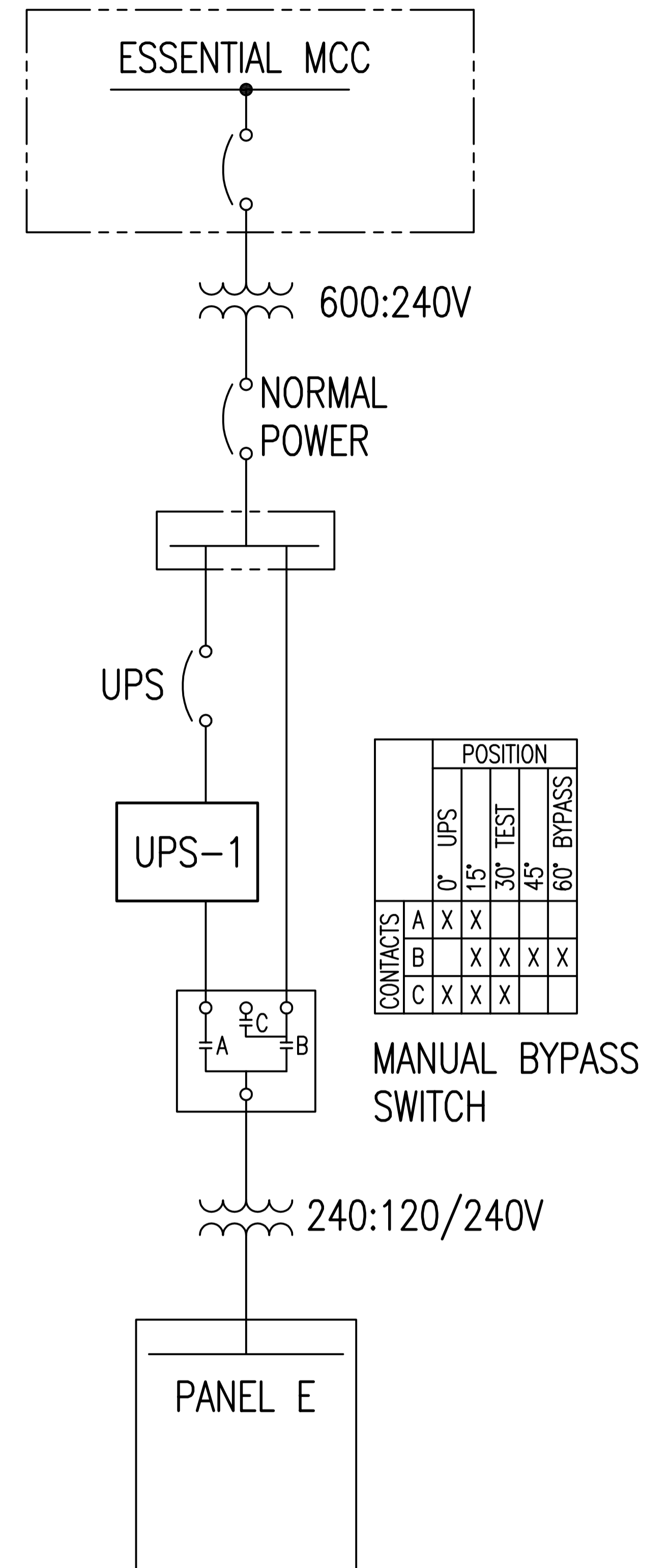
# UPS-1 INSTRUCTIONS

## Startup Procedure

1. Turn the Manual Bypass Switch to the *Bypass* position.
2. Ensure that the "Normal Power" breaker is closed and supplying power.
3. Close the "UPS" supply breaker to provide power to the UPS.
4. Turn on the UPS battery circuit breaker, located at the rear of the UPS.
5. Using the ↑ button, select the *Control* menu and press the → button.
6. Press ← to select the *Go to Bypass Mode* option.
7. Wait for the Ⓢ indicator to illuminate on the UPS.
8. Turn the Manual Bypass Switch to the *UPS* position.
9. Press the ← button to select the *Go To Normal Mode* option.
10. Press the *ESC* button until the Eaton Powerware logo appears.

## Shutdown Procedure

1. Using the ↑ button, select the *Control* menu and press the → button.
2. Press ← to select the *Go to Bypass Mode* option.
3. Wait for the Ⓢ indicator to illuminate on the UPS.
4. Turn the Manual Bypass Switch from the *UPS* position to the *Bypass* position.
5. Press the ↑ button on the front panel display and then press the → button to select the *TURN UPS ON/OFF* menu.
6. Press the ↓ button to select the *TURN UPS OFF* option; press the ← button.
7. Confirm the selection. Press and hold the ← button for three seconds, until the UPS stops beeping.
8. Turn off the UPS battery circuit breaker, located at the rear of the UPS.
9. Open the "UPS" source breaker.



B.M. ELEV.	FIELD BOOK #:		SNC-LAVALIN INC. 148 Nature Park Way Winnipeg, MB, Canada R3P 0X7 204-786-8000	ENGINEER'S SEAL	 THE CITY OF WINNIPEG WATER AND WASTE DEPARTMENT
POSTED TO LBIS		DESIGNED BY C. REIMER	CHECKED BY C. REIMER	<b>PRELIMINARY</b> <b>NOT TO BE USED FOR CONSTRUCTION</b>	MACLEAN PUMPING STATION UPS UPGRADES OPERATING INSTRUCTIONS UPS-1
		DRAWN BY E. BOHNCKE	APPROVED BY C. REIMER		
		HOR. SCALE NTS	RELEASED FOR CONSTRUCTION		
0	ISSUED FOR TENDER	2008/01/08	AEO	DATE 2007/10/11	DATE
NO.	REVISIONS	DATE	BY	FILENAME: 1-0630M-E0009-001-00.dwg	
				CITY DRAWING NUMBER	SHEET
				1-0630M-E0009	001
				REV.	SIZE
				0	A1