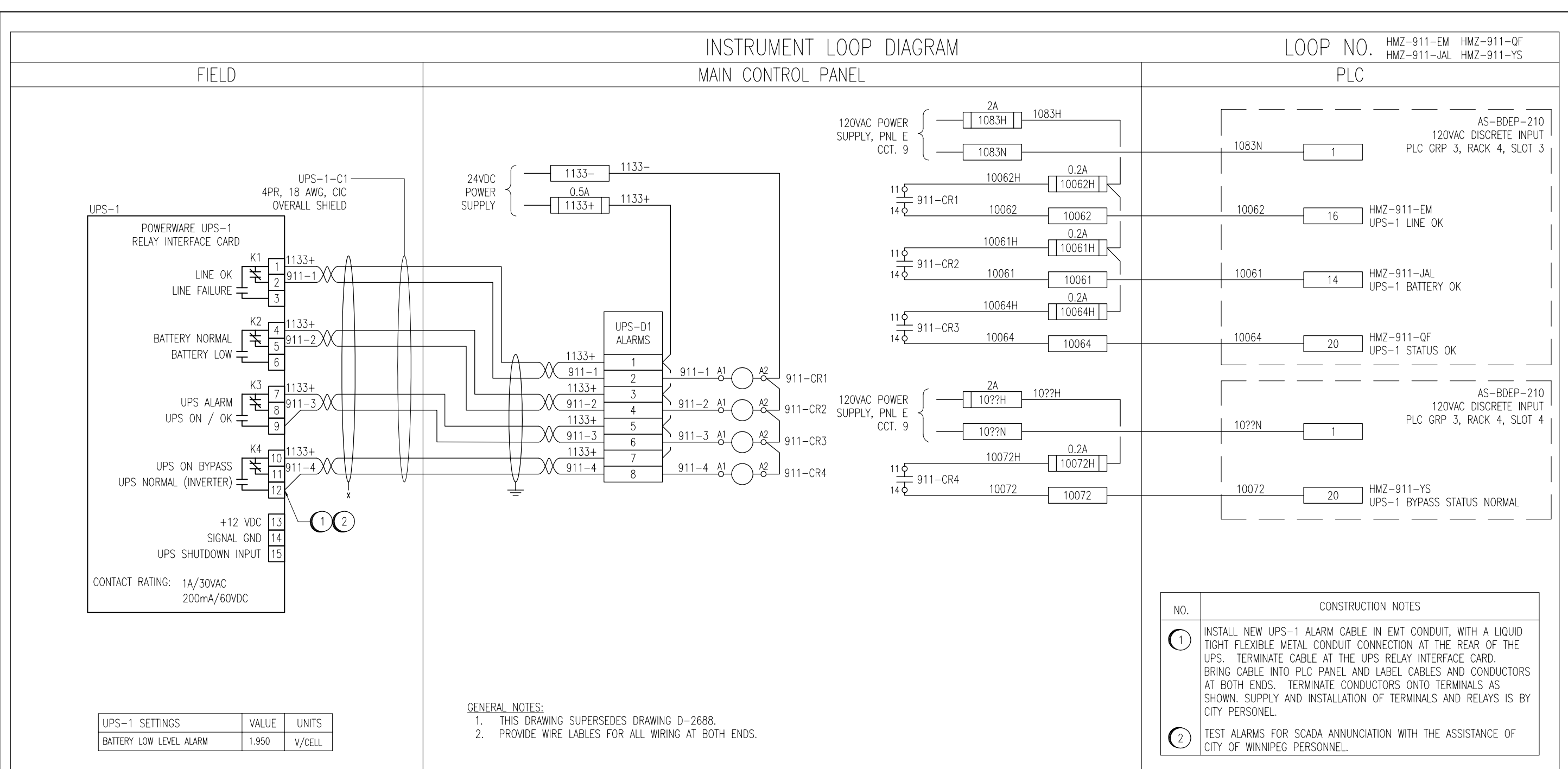


LAST SAVE: 2008/01/09 - 10:30am  
 PATH: M:\113063\4ENG\481&C\DD - General DWG\1-0650M-A0027-001-PA.dwg  
 B SIZE - 279mm x 432mm



**SNC-Lavalin Inc. (MB)**  
 No. 4489 Expiry: April 30, 2008

		<b>SNC-LAVALIN INC.</b> 148 Nature Park Way Winnipeg, MB, Canada R3P 0X7 204-786-8080	
DESIGNED BY:	C. REIMER	ENGINEER'S SEAL	PRELIMINARY NOT TO BE USED FOR CONSTRUCTION
DRAWN BY:	A. OLIVER		
CHECKED BY:	C. REIMER		
APPROVED BY:	C. REIMER		
SCALE:	N.T.S.		
DATE:	2007/08/28		
CONSULTANT NO.:	113063		
NO.	REVISIONS	DATE	BY
0	ISSUED FOR TENDER	2008/01/09	AEO

PRELIMINARY  
NOT TO BE  
USED FOR  
CONSTRUCTION

**THE CITY OF WINNIPEG**  
WATER AND WASTE DEPARTMENT

HURST PUMPING STATION  
UPS UPGRADES  
INSTRUMENT LOOP DIAGRAM  
UPS-1 ALARMS

CITY DRAWING NUMBER	SHEET	REV.	SIZE
1-0650M-A0027	001	0	B