

1 PARTIAL PLAN - ADMINISTRATION (THIRD FLOOR LEVEL)
WB-B0139 1:100

2 PARTIAL PLAN - ROOF (THIRD FLOOR LEVEL)
WB-B0139 1:100

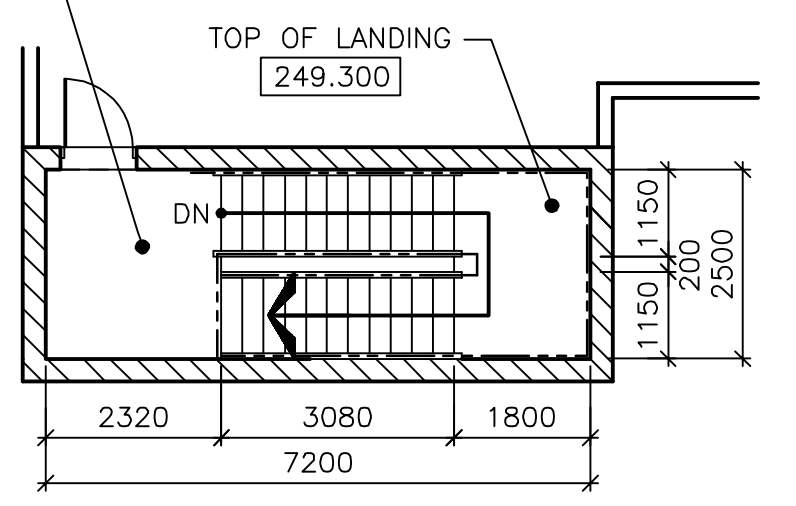
- NOTES:
- ALL INTERIOR CMU PARTITION WALLS IN THE ADMIN AREA (LEVEL 245.00) WILL BE UP TO 3000mm AFF.
 - DUCT SHAFT CMU WALLS TO BE UP TO U/S OF CONCRETE SLAB.
 - FLOORING C/W BASE TO RUN UNDER LOCKERS IN CHANGE ROOMS 329A & 332A.

- FIRE RATINGS:
- 2 HR FIRE RATING
 - 1 HR FIRE RATING

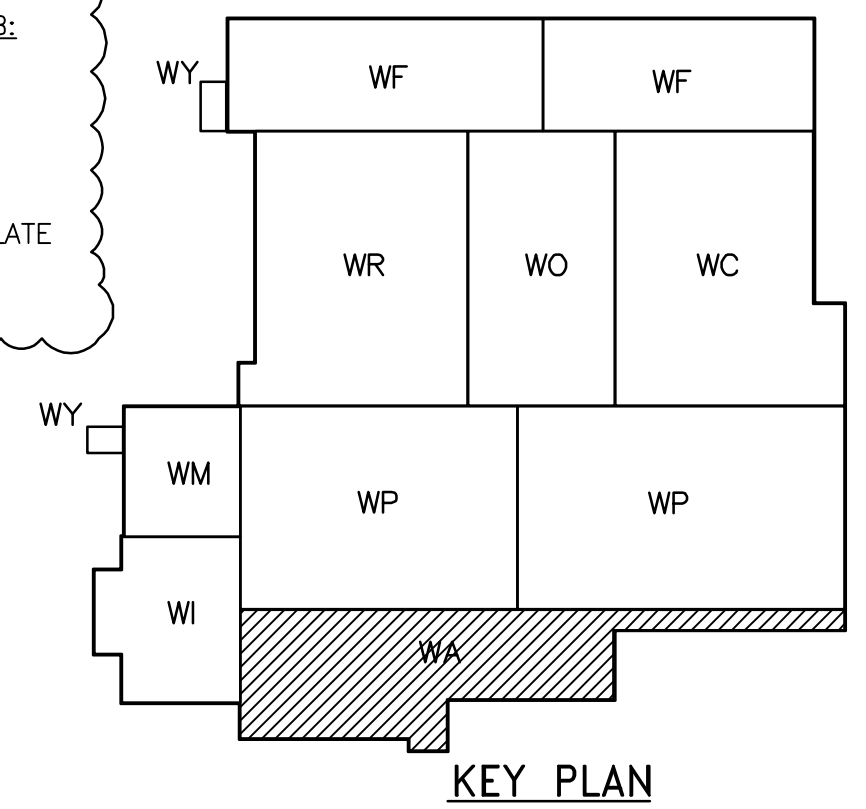
- WALL TYPES:
- W1 EXIST CAST-IN-PLACE CONC TYPICAL UNLESS NOTED
 - W2 CMU 290mm
 - W3 CMU 240mm
 - W4 CMU 190mm
 - W5 CMU 140mm
 - W6 CMU 90mm
 - W5B CMU 140mm BURNISHED
 - W6B CMU 90mm BURNISHED
 - W4A FROM FIN FLOOR TO 3000mm AFF: CMU 190mm FROM 3000mm AFF TO U/S OF SLAB: USE WALL TYPE W8
 - W6B CMU 90mm BURNISHED (DUAL WHYTHE - BACK TO BACK)
 - W7 FROM FIN FLOOR TO 1200mm AFF: CMU 90mm BURNISHED 13mm FURRING BAR @ 400mm O/C 13mm GYP BD - PT FROM 1200mm AFF TO U/S OF SLAB: USE WALL TYPE W8
 - W8 13mm GYP BD - PT 92mm STEEL STUDS @ 400mm O/C 13mm GYP BD - PT ACOUSTICAL BATT INSULATION ACOUSTICAL CAULK ON TOP & BOT PLATE. UP TO U/S OF SLAB EXCEPT IN ROOM 341 (KITCHEN)
 - W2B CMU 290mm BURNISHED
 - W3A CMU 240mm (VARIES) 92mm METAL STUDS 13mm GYP BD - PT
 - W4B CMU 190mm BURNISHED
 - W4C CMU 190mm AIR SPACE (VARIES) 92mm METAL STUDS 13mm GYP BD - PT
 - W5B FROM FIN FLOOR TO 3000mm AFF: CMU 140mm BURNISHED FROM 3000mm AFF TO U/S OF SLAB: USE WALL TYPE W8
 - W8 16mm TYPE X GYP BD - PT 92mm STEEL STUDS @ 400mm O/C 13mm GYP BD - PT ACOUSTICAL BATT INSULATION ACOUSTICAL CAULK ON TOP & BOT PLATE

INTERIOR CMU PARTITIONS LEGEND:

- BURNISHED SIDE
- BURNISHED CMU
- CONVENTIONAL CMU



3 PARTIAL PLAN - STAIRWELL No.2 @ EL. 251.450
WB-B0139 1:100



SCALE 1:100 METRES 0 2 4 6 8 10
SCALE 1:1 MILLIMETRES 0 20 40 60 80 100

INFORMATION ONLY

NO.	REVISIONS	DATE	BY
06	95-2007 FI-O-006-FC	07/12/04	LK
05	95-2007 ISSUED FOR CONSTRUCTION	07/09/10	LK
04	95-2007 ADDENDUM 07	07/07/27	LK
03	95-2007 ADDENDUM 06	07/07/20	LK
02	95-2007 ADDENDUM 05	07/07/13	LK
01	95-2007 ADDENDUM 02	07/06/20	LK
00	ISSUED FOR TENDER	07/06/05	LK

CH2M HILL
Frederickson Cooper ARCHITECTS

EarthTech
A Fluor International Ltd. Company

DESIGNED BY TWS
DRAWN BY AL/LK
SCALE: 1:100

CHECKED BY BJS
APPROVED BY AHL
RELEASED FOR CONSTRUCTION BY R. SOROKOWSKI

DATE 2005/08/03
DATE 2007/06/05

ORIGINAL SIGNED BY NEIL COOPER
2007/06/05
CONSULTANT DRAWING NO. WB-B0139

THE CITY OF WINNIPEG
WATER AND WASTE DEPARTMENT
ENGINEERING DIVISION

Winnipeg

WATER TREATMENT PLANT
MAIN BUILDING
OFFICE AND PLANT INTERIOR FINISHES

ARCHITECTURAL
PARTIAL PLAN OF ADMINISTRATION AND ROOF
(ELEV. 245.000)

CITY FILE NUMBER
SHEET OF
CITY DRAWING NUMBER
1-060B-A-0039-001-06D

