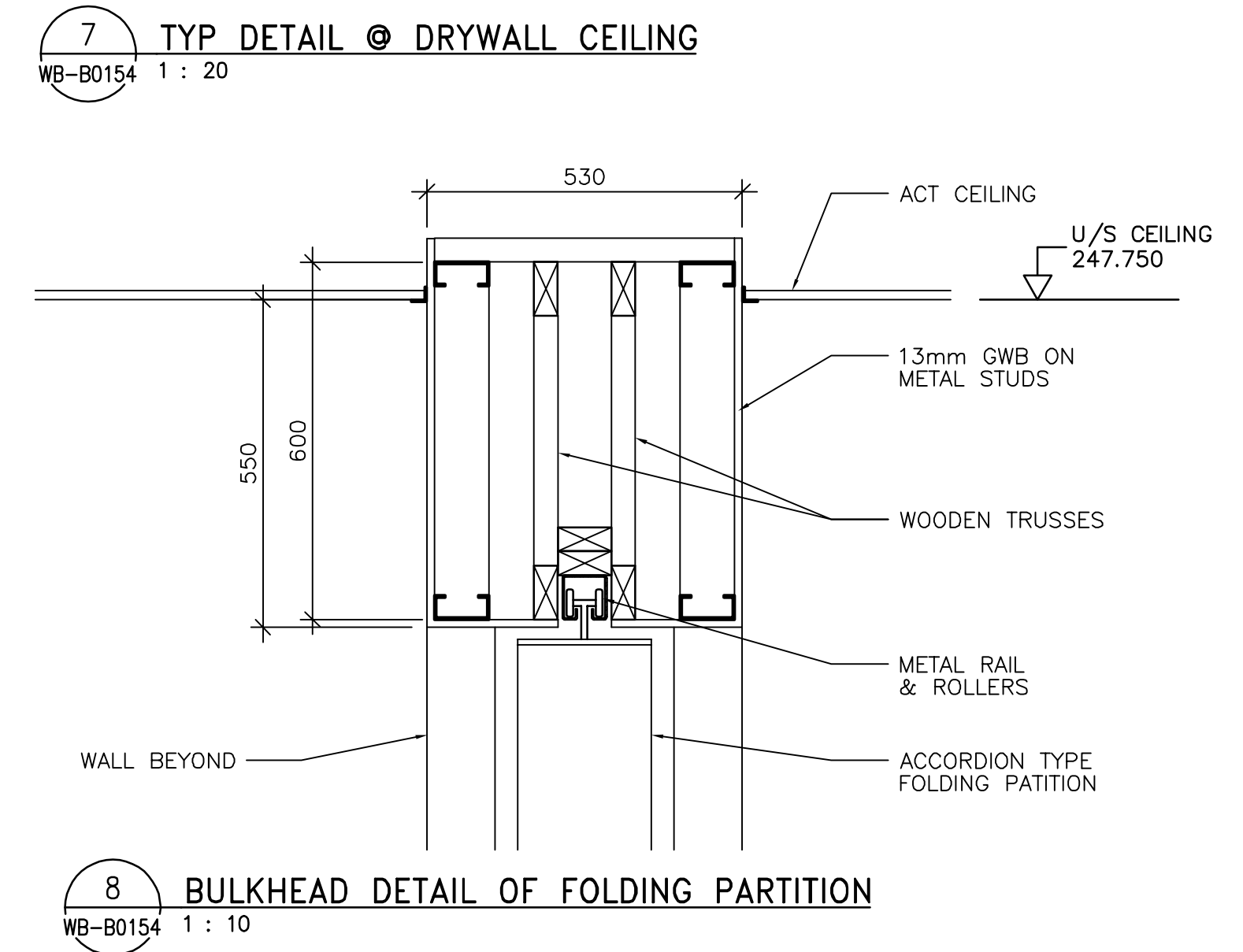
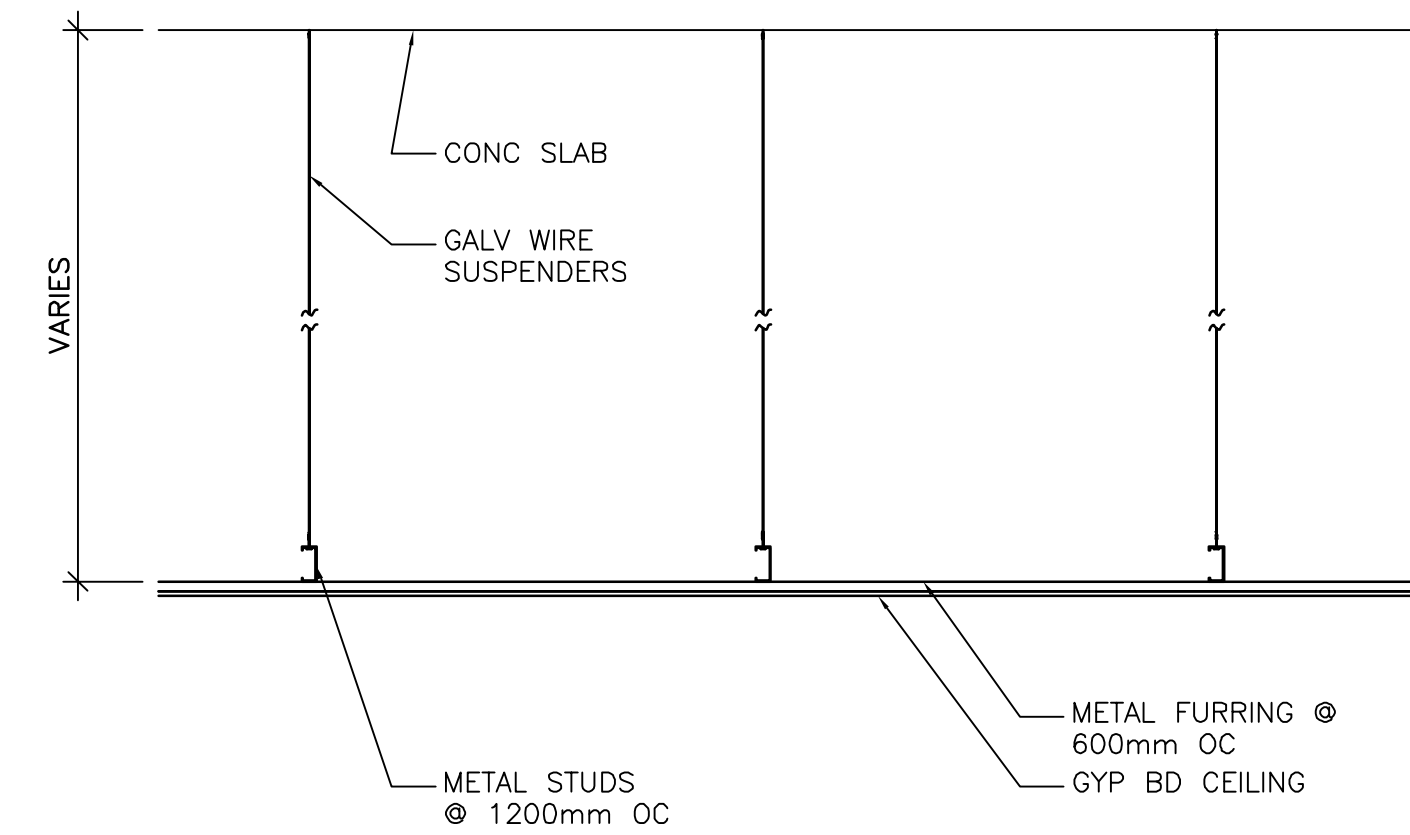


NOTE: FIRESTOPPING TO MEET REQUIREMENTS OF WALL FIRE RATINGS



INFORMATION ONLY

NO.	REVISIONS	DATE	BY
05	95-2007 FI-0-006-FC	07/12/04	LK
04	95-2007 ISSUED FOR CONSTRUCTION	07/09/10	LK
03	95-2007 ADDENDUM 06	07/07/20	LK
02	95-2007 ADDENDUM 05	07/07/13	LK
01	95-2007 ADDENDUM 01	07/06/12	LK
00	ISSUED FOR TENDER	07/06/05	LK

DESIGNED BY	MG	CHECKED BY	BJS
DRAWN BY	AL	APPROVED BY	AHL
SCALE:	AS NOTED	RELEASED FOR CONSTRUCTION BY:	R. SOROKOWSKI
DATE	2005/08/05	DATE	2007/06/05

ENGINEER'S SEAL	ORIGINAL SIGNED BY	NEIL COOPER
		2007/06/05
	CONSULTANT DRAWING NO.	WB-B0154

THE CITY OF WINNIPEG WATER AND WASTE DEPARTMENT ENGINEERING DIVISION	
WATER TREATMENT PLANT MAIN BUILDING OFFICE AND PLANT INTERIOR FINISHES	
CITY FILE NUMBER	SHEET OF
CITY DRAWING NUMBER	1-06018-A-B0154-001-05D