

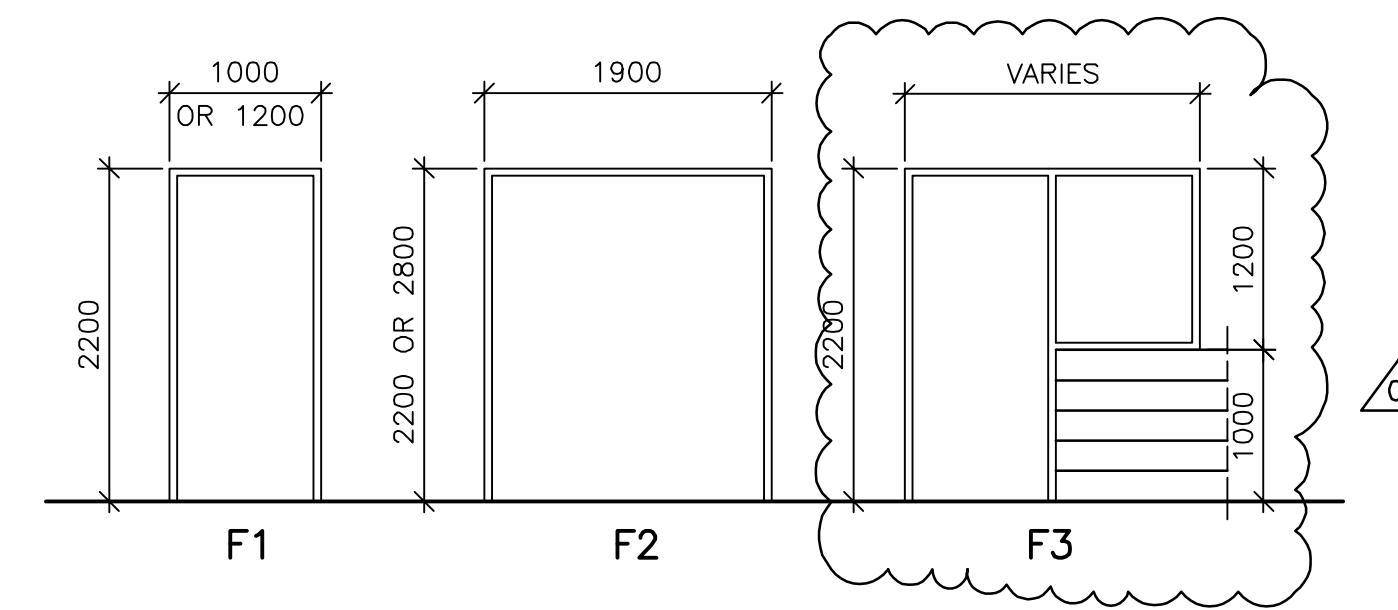
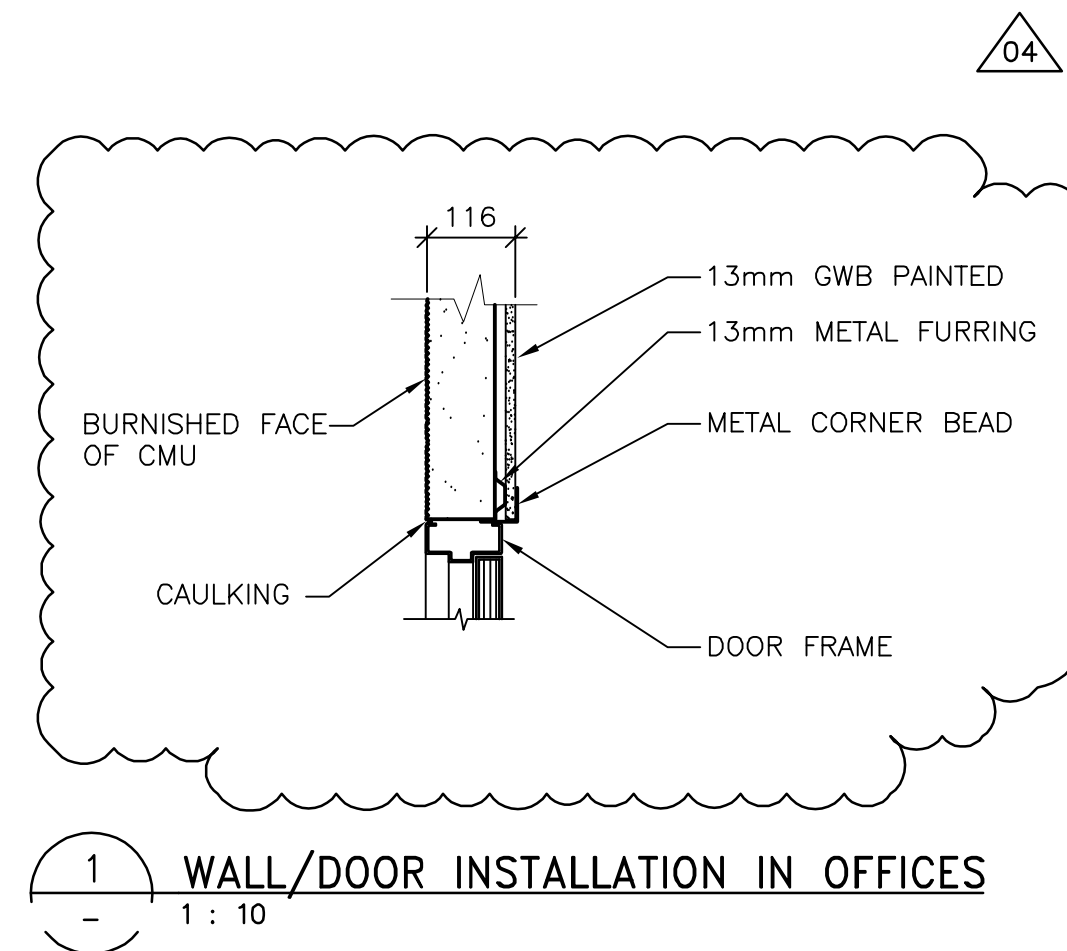
WALL TYPES:

- W1 EXISTING CAST-IN-PLACE CONCRETE TYPICAL UNLESS NOTED
- W2 CMU 290mm
- W3 CMU 240mm
- W4 CMU 190mm
- W5 CMU 140mm
- W6 CMU 90mm
- W6BD CMU 90mm BURNISHED CMU 90mm BURNISHED (DUAL WHYTE - BACK TO BACK)
- W7 FROM FIN FLOOR TO 1200mm AFF: CMU 90mm BURNISHED 13mm FURRING BAR @ 400mm O/C 13mm GYP BD - PT FROM 1200mm AFF TO U/S OF CONCRETE SLAB - WALL TYPE W8
- W8 13mm GYP BD - PT 92mm STEEL STUDS @ 400mm O/C 13mm GYP BD - PT ACOUSTICAL BATT INSULATION ACOUSTICAL CAULK ON TOP & BOT PLATE. UP TO U/S OF SLAB EXCEPT IN ROOM 341 (KITCHEN)
- W2B CMU 290mm BURNISHED
- W3A CMU (VAR. THICKNESS) AIR SPACE (VARIES) 92mm METAL STUDS 13mm GYP BD - PT
- W4B CMU 190mm BURNISHED
- W4B FROM FIN FLOOR TO 3000mm AFF: CMU 190mm BURNISHED FROM 3000mm AFFL TO U/S OF SLAB: USE WALL TYPE 8
- W5B FROM FIN FLOOR TO 3000mm AFF: CMU 140mm BURNISHED FROM 3000mm AFFL TO U/S OF SLAB: USE WALL TYPE 8
- W5B CMU 140mm BURNISHED
- W6B CMU 90mm BURNISHED

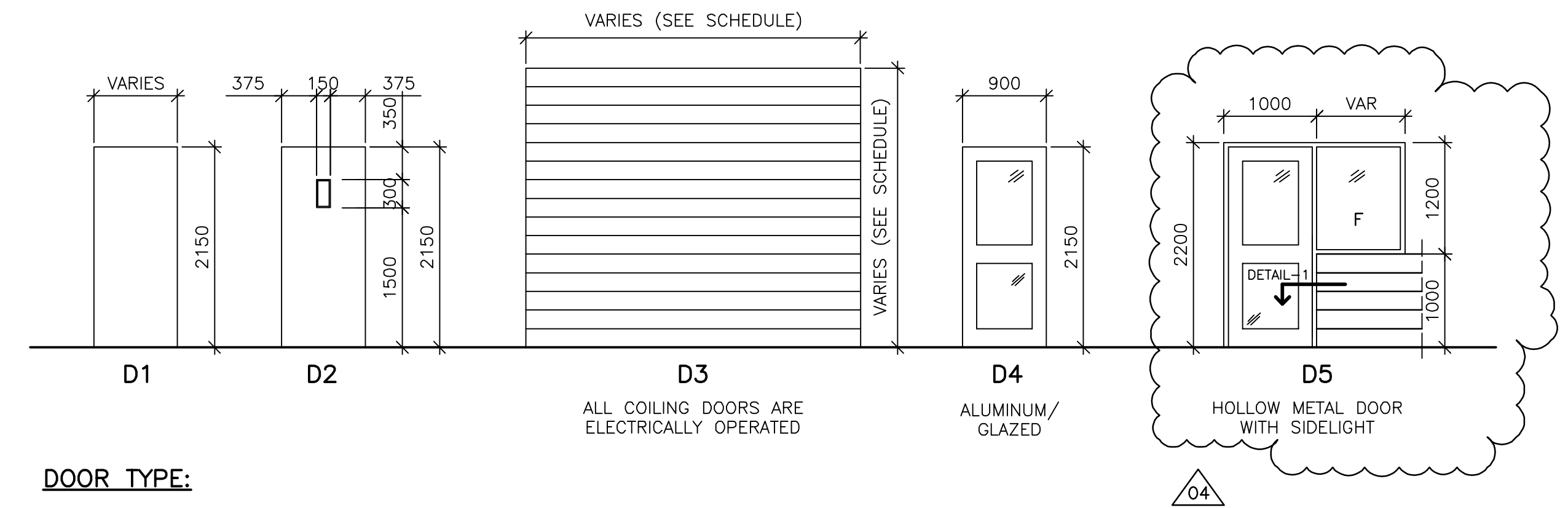
FIRE RATINGS:

- 1 HR FIRE RATING
- 2 HR FIRE RATING

HARDWARE SCHEDULE:



FRAME TYPE:



DOOR TYPE:

INFORMATION ONLY



NO.	REVISIONS	DATE	BY
04	95-2007 FI-0-003-FC	07/11/16	LK
03	95-2007 ISSUED FOR CONSTRUCTION	07/09/30	LK
02	95-2007 ADDENDUM 02	07/06/20	LK
01	95-2007 ADDENDUM 01	07/06/12	LK
00	ISSUED FOR TENDER (95-2007)	07/06/05	LK

DESIGNED BY	TWS	CHECKED BY	BJS
DRAWN BY	REH/LK	APPROVED BY	AHL
SCALE:	AS NOTED	RELEASED FOR CONSTRUCTION BY:	R. SOROKOWSKI
DATE	2005/08/03	DATE	2007/06/05

ENGINEER'S SEAL	ORIGINAL SIGNED BY	NEIL COOPER
		2007/06/05
CONSULTANT DRAWING NO.	WB-B0505	

THE CITY OF WINNIPEG
WATER AND WASTE DEPARTMENT
ENGINEERING DIVISION

WATER TREATMENT PLANT
 MAIN BUILDING
 OFFICE AND PLANT INTERIOR FINISHES

ARCHITECTURAL
 DOOR SCHEDULE
 DOOR TYPES AND SCHEDULES

CITY FILE NUMBER
 SHEET OF
 CITY DRAWING NUMBER
1-0601B-A-B0505-001-04D