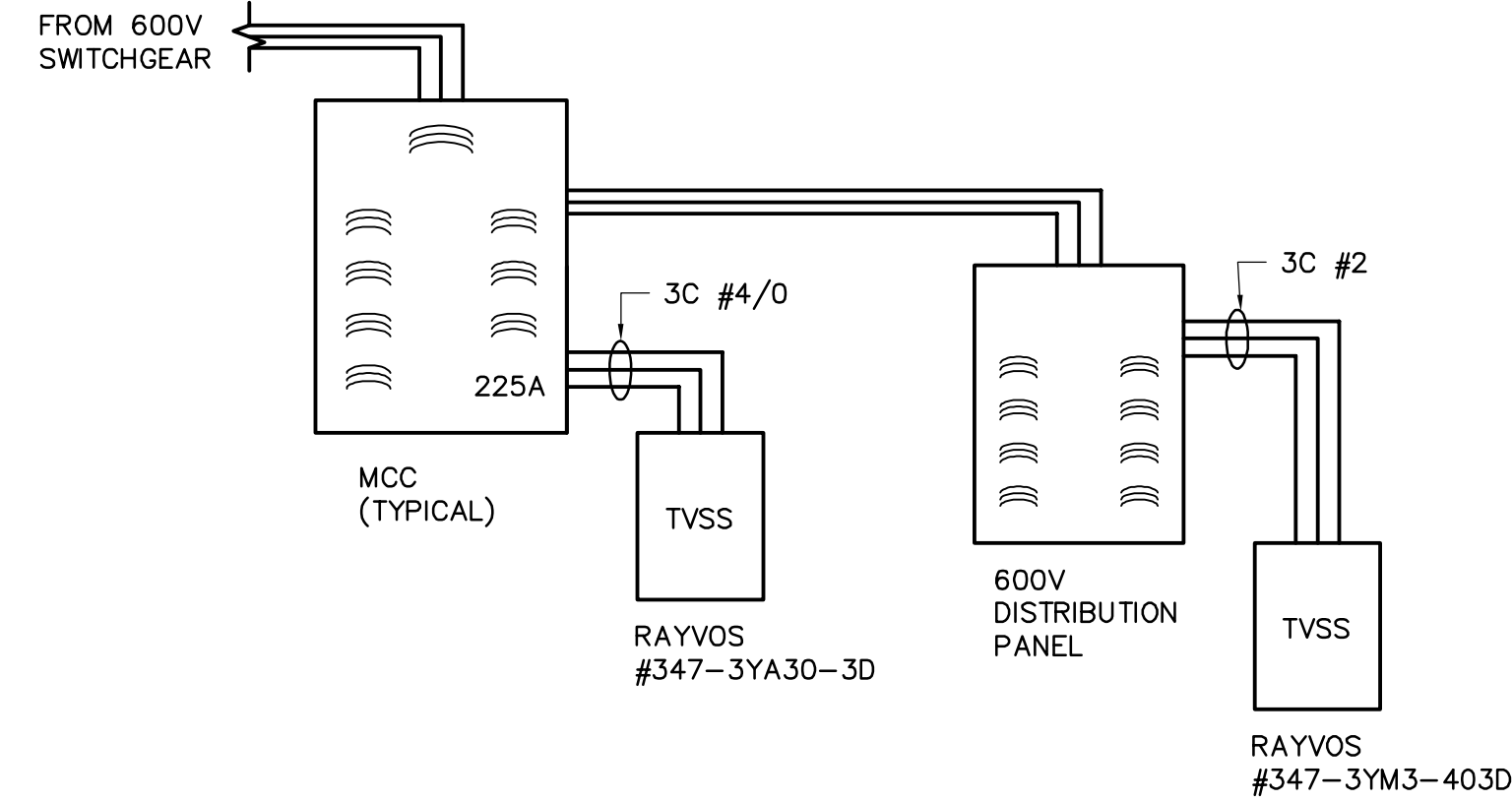


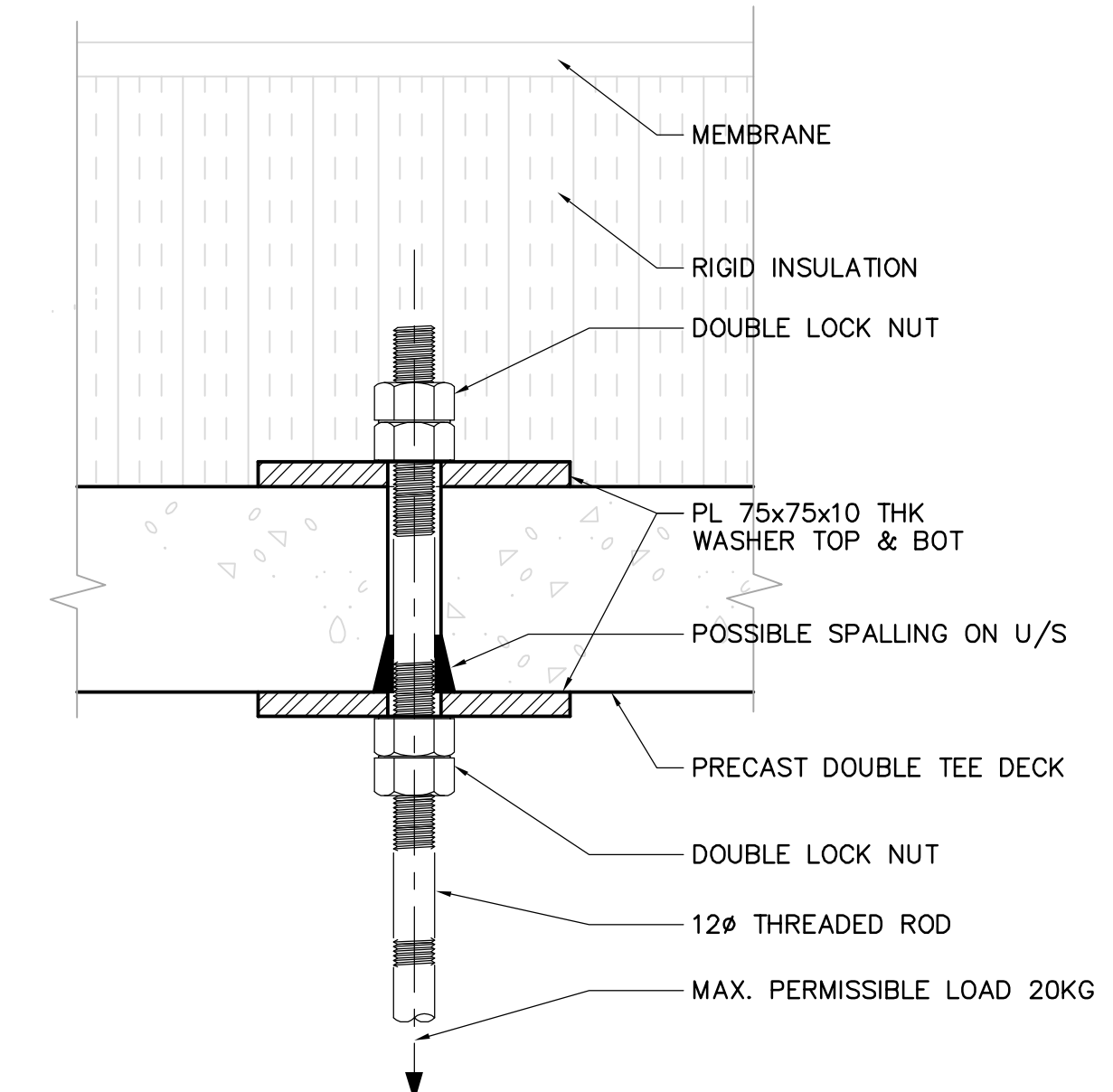
NOTES

1. BEFORE BOLTING, CLEAN THE CONNECTING SURFACES AND APPLY BURNDY PENETROX COMPOUND "A" TO BOTH SURFACES.
2. BARE COPPER CONNECTIONS SHALL BE COATED WITH SILICONE
3. CONNECTOR SHALL BE PLACED TO AVOID CABLE PULLING SPACE.

1 CABLE TRAY GROUNDING DETAIL
N.T.S.

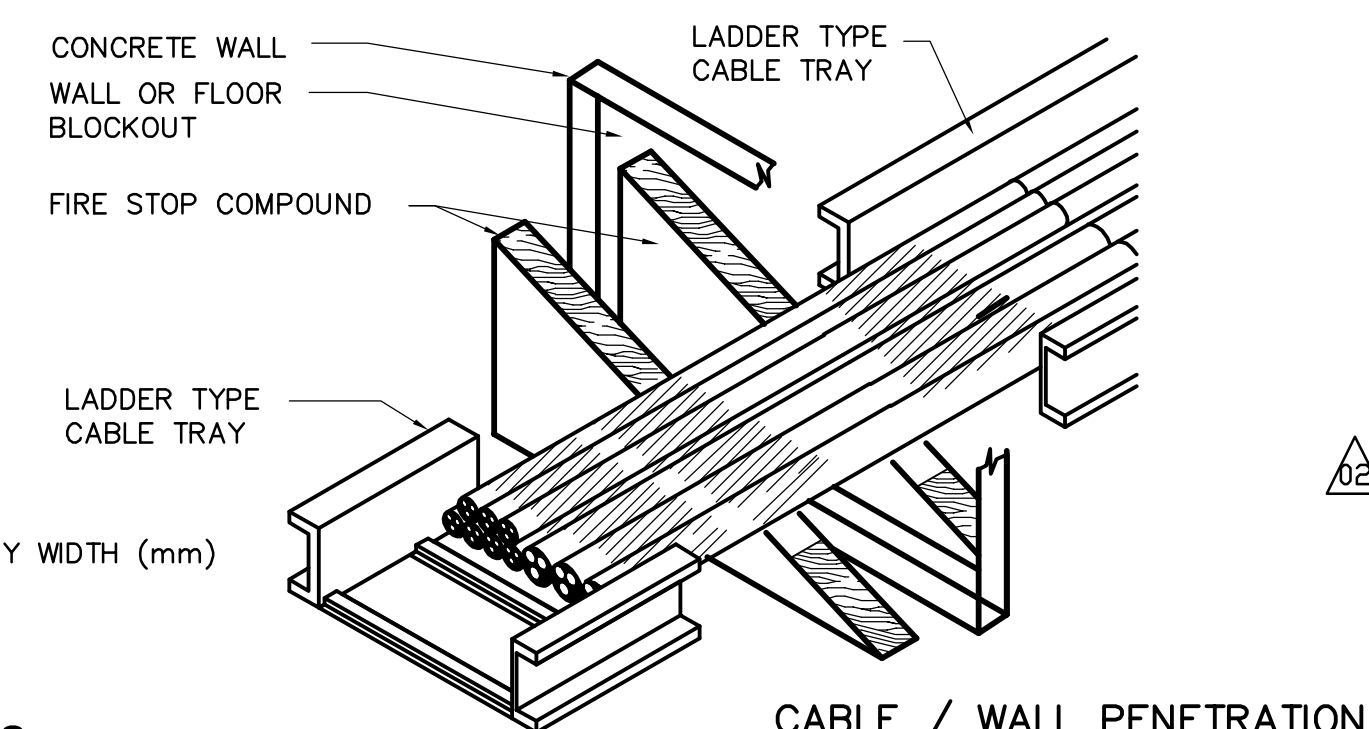


4 TVSS TYPICAL INSTALLATION DETAIL
N.T.S.



HANGER IN DOUBLE TEE

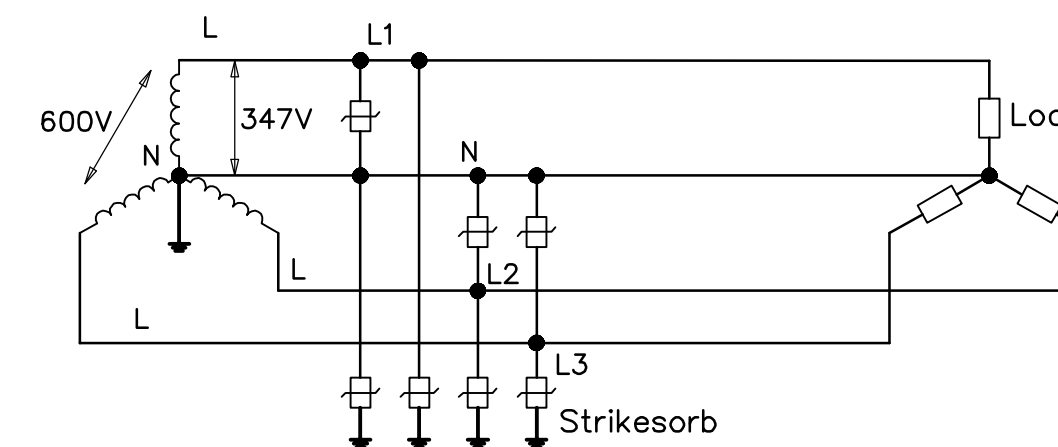
7 DETAIL
N.T.S.



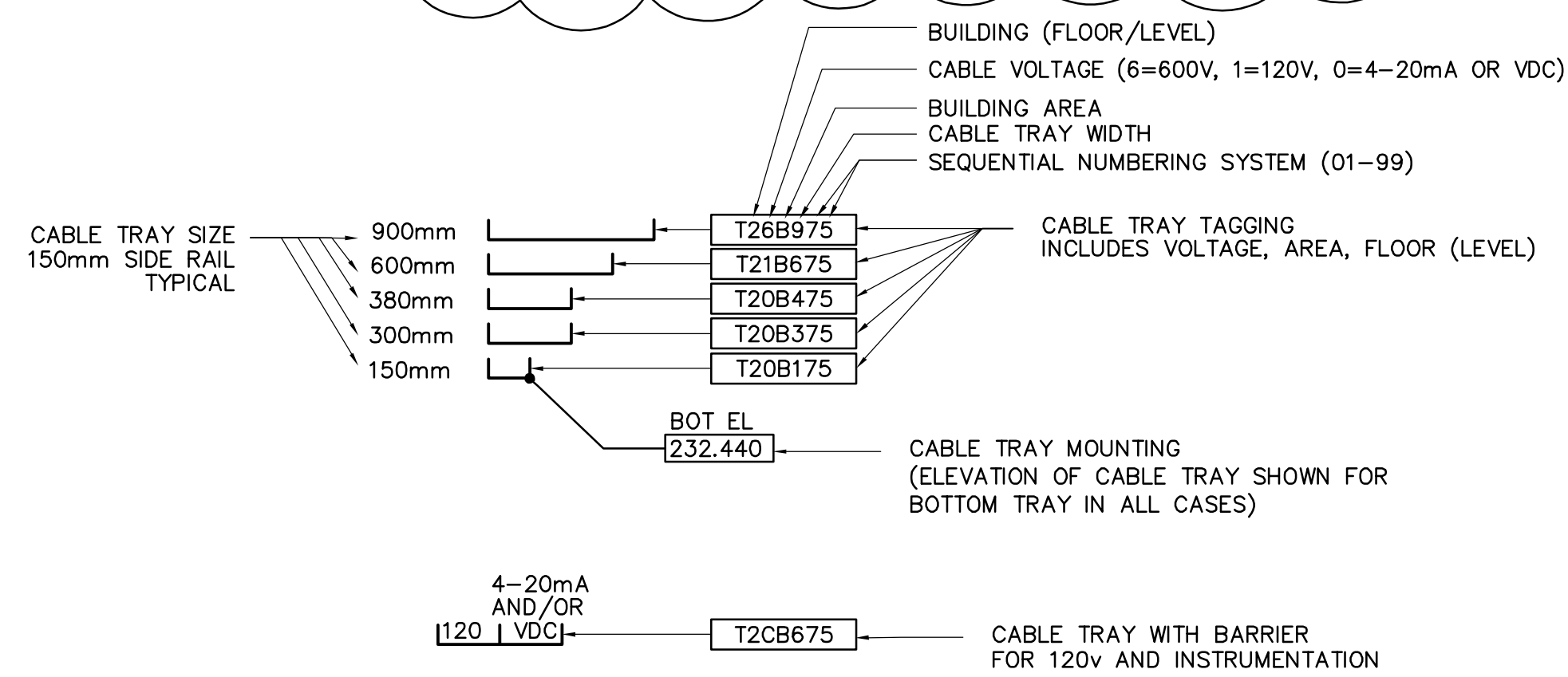
NOTES:

1. APPLY FIRE RESISTANT COATING TO BOTH INSIDE AND OUTSIDE OF WALL AND TO THE TRAY ALSO.
2. ALL COMPONENTS OF A ULC APPROVED FIRE STOP SYSTEM TO BE INSTALLED PER MANUFACTURERS' INSTRUCTIONS FOR SPECIFIED FIRE RATING.
3. FIRE STOP MATERIALS & INSTALLATION TO BE DONE BY 803-2007

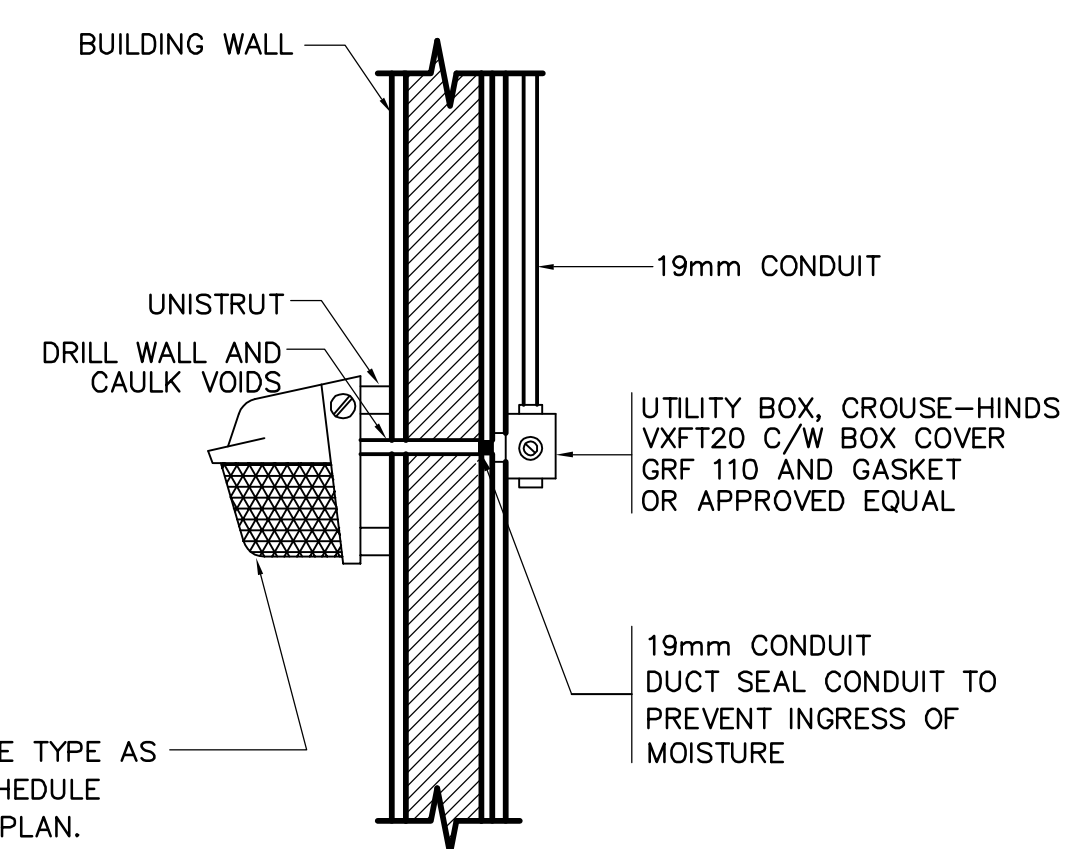
2 CABLE TRAY WALL PENETRATION DETAIL
N.T.S.



5 TYPICAL TVSS CONNECTION WIRING DETAIL
N.T.S.



3 CABLE TRAY TAGGING DETAIL
N.T.S.



6 EXTERIOR LIGHT MOUNTING DETAIL
N.T.S.

<p>APEGM Certificate of Authorization CH2M HILL Canada Ltd. No. 1441 Expiry: April 30, 2007</p>	B.M. ELEV.	<p>CH2MHILL Frederickson Cooper ARCHITECTS</p>	<p>EarthTech A Top International Ltd. Company</p>	ENGINEER'S SEAL	<p>THE CITY OF WINNIPEG WATER AND WASTE DEPARTMENT ENGINEERING DIVISION</p>	
	DESIGNED BY: LL			CHECKED BY: ND		ORIGINAL SIGNED BY: L.D. LLEWELLYN
	DRAWN BY: TL			APPROVED BY: AHL		DATE: 2006/03/29
	SCALE: NTS			RELEASED FOR CONSTRUCTION BY: R. SOROKOWSKI		CONSULTANT DRAWING NO. WB-E0455
NO. REVISIONS	DATE BY	DATE: 2006/03/02	DATE: 2006/03/29	STANDARD DETAILS	<p>WATER TREATMENT PLANT MAIN BUILDING MECHANICAL AND ELECTRICAL</p> <p>ELECTRICAL</p> <p>CITY FILE NUMBER SHEET OF CITY DRAWING NUMBER 1-0601B-A-E0455-001-020</p>	