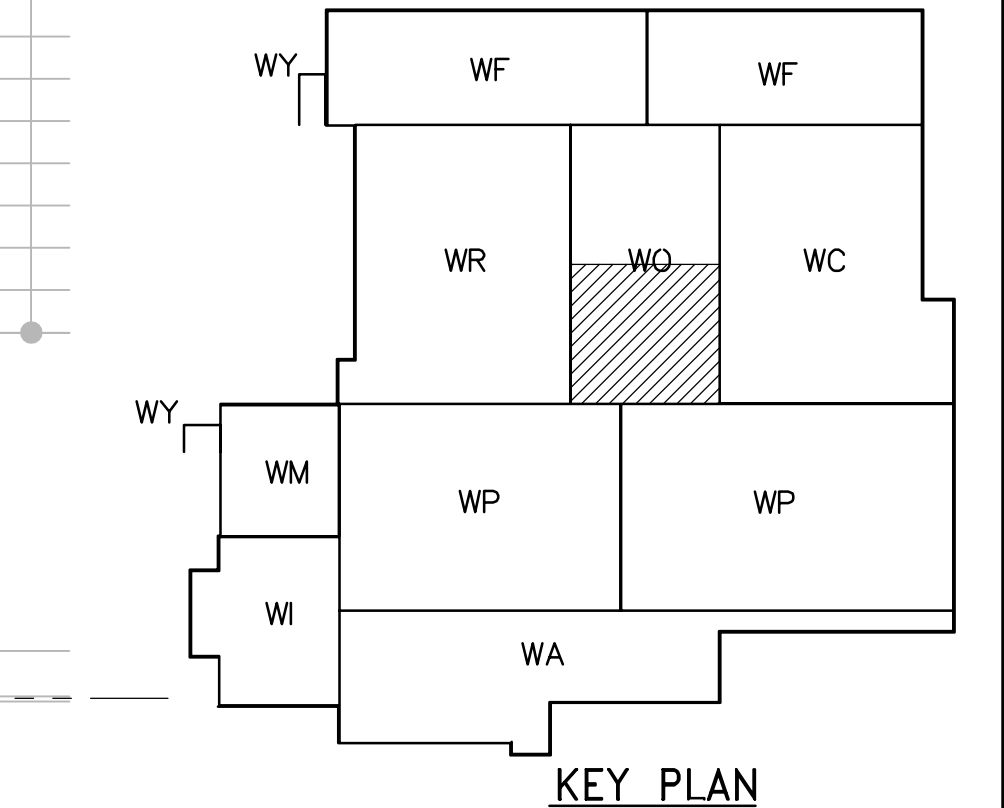
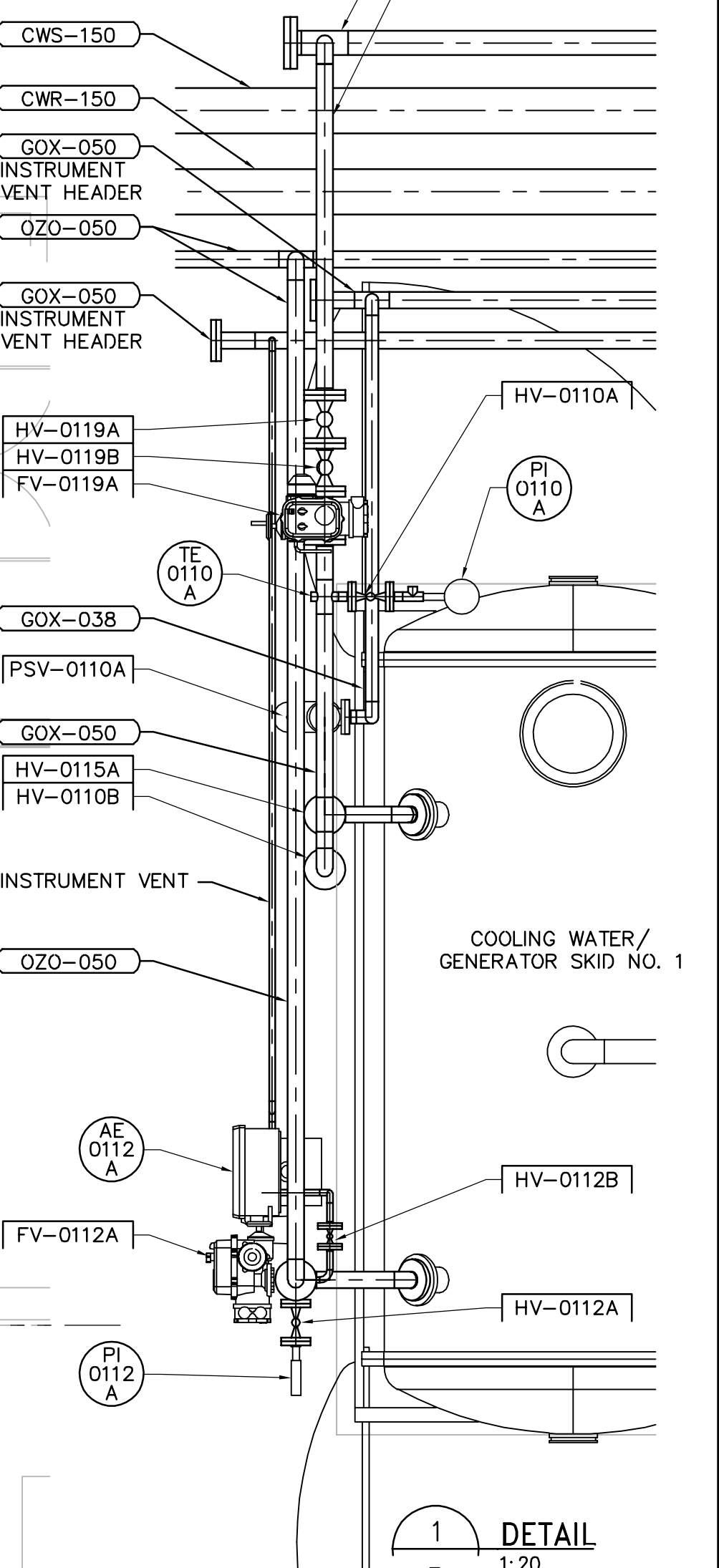


NOTES:
1. REFER TO SUPPLY CONTRACTOR SHOP DRAWINGS FOR EQUIPMENT DETAILS.
2. VALVES HV-0210A TO HV-0210H AND HV-0230A TO HV-0230H ARE ON VERTICAL OF SAMPLE LINES FROM CONTACTOR CELLS.



1 DETAIL
WO-M0131 1:50

SCALE 1:50 METRES
SCALE 1:1 MILLIMETRES

 APEGM Certificate of Authorization CH2M HILL Canada Ltd. No. 1441 Expiry: April 30, 2007	INFORMATION ONLY B.M. CH2M HILL Frederickson Cooper ARCHITECTS		ENGINEER'S SEAL ORIGINAL SIGNED BY D.J. PERNITSKY 2006/03/29	THE CITY OF WINNIPEG WATER AND WASTE DEPARTMENT ENGINEERING DIVISION WATER TREATMENT PLANT OZONE MECHANICAL AND ELECTRICAL PROCESS MECHANICAL OZONE GENERATION AREA PLAN DETAIL	CITY FILE NUMBER SHEET OF
	DESIGNED BY CBE/DP DRAWN BY RWA/KM SCALE: 1:50 NO. REVISIONS DATE BY DATE	CHECKED BY EPM APPROVED BY AHL RELEASED FOR CONSTRUCTION BY: R. SOROKOWSKI DATE 2006/03/29	CONSULTANT DRAWING NO. WO-M0402		CITY DRAWING NUMBER 1-06010-A-M0402-001-010