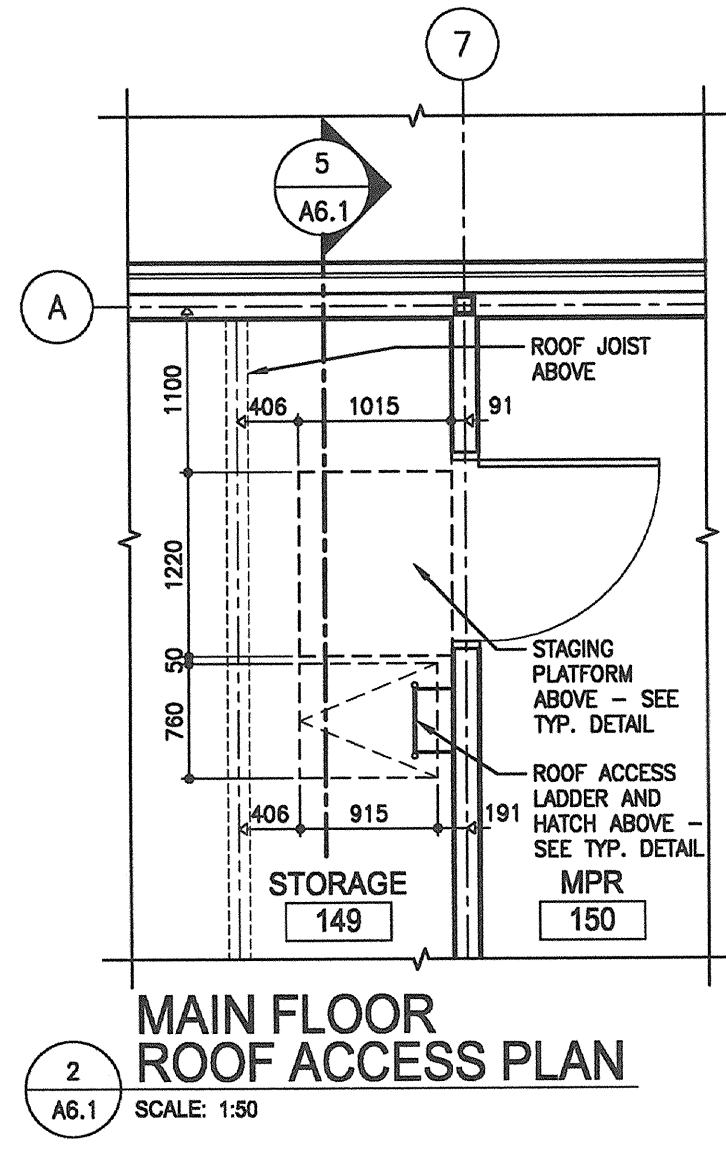
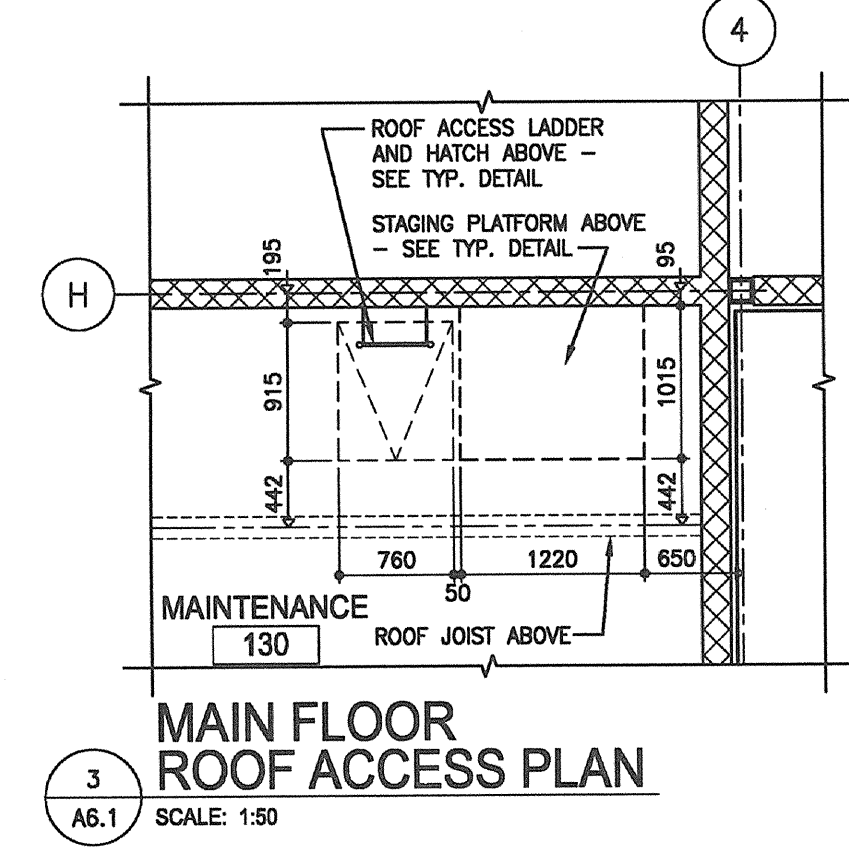


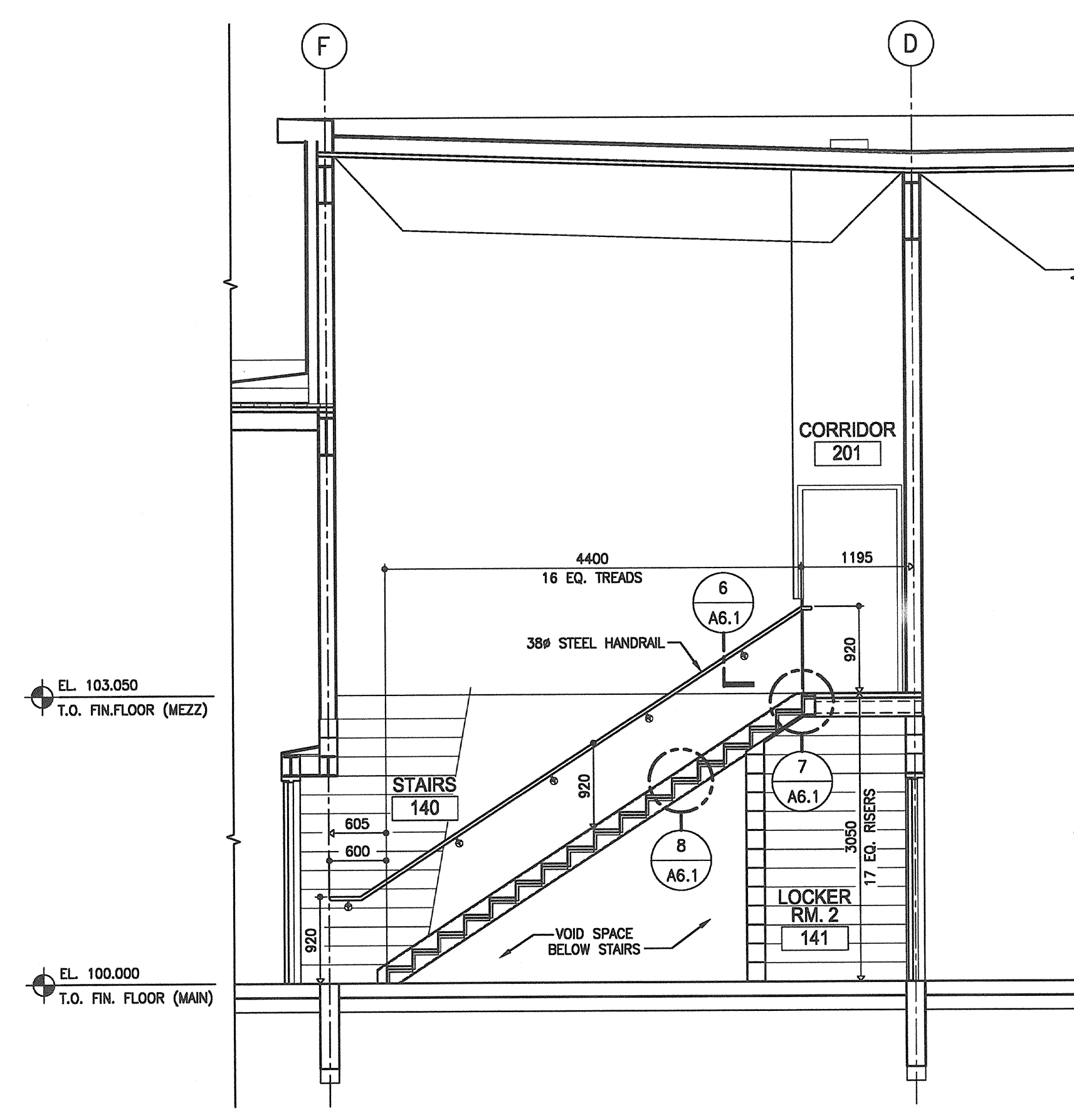
1 MEZZANINE STAIR PLAN SCALE: 1:50



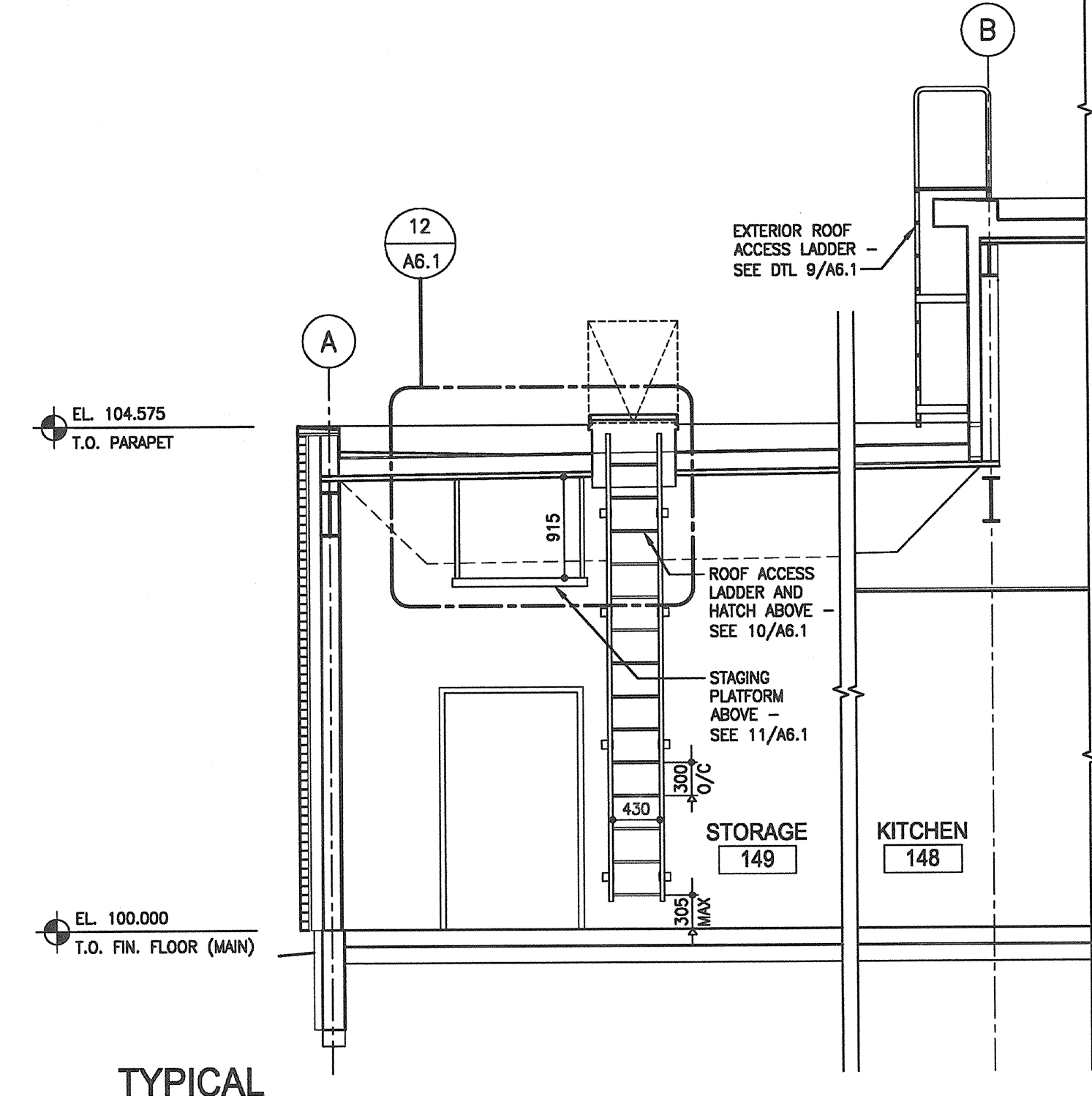
2 MAIN FLOOR ROOF ACCESS PLAN SCALE: 1:50



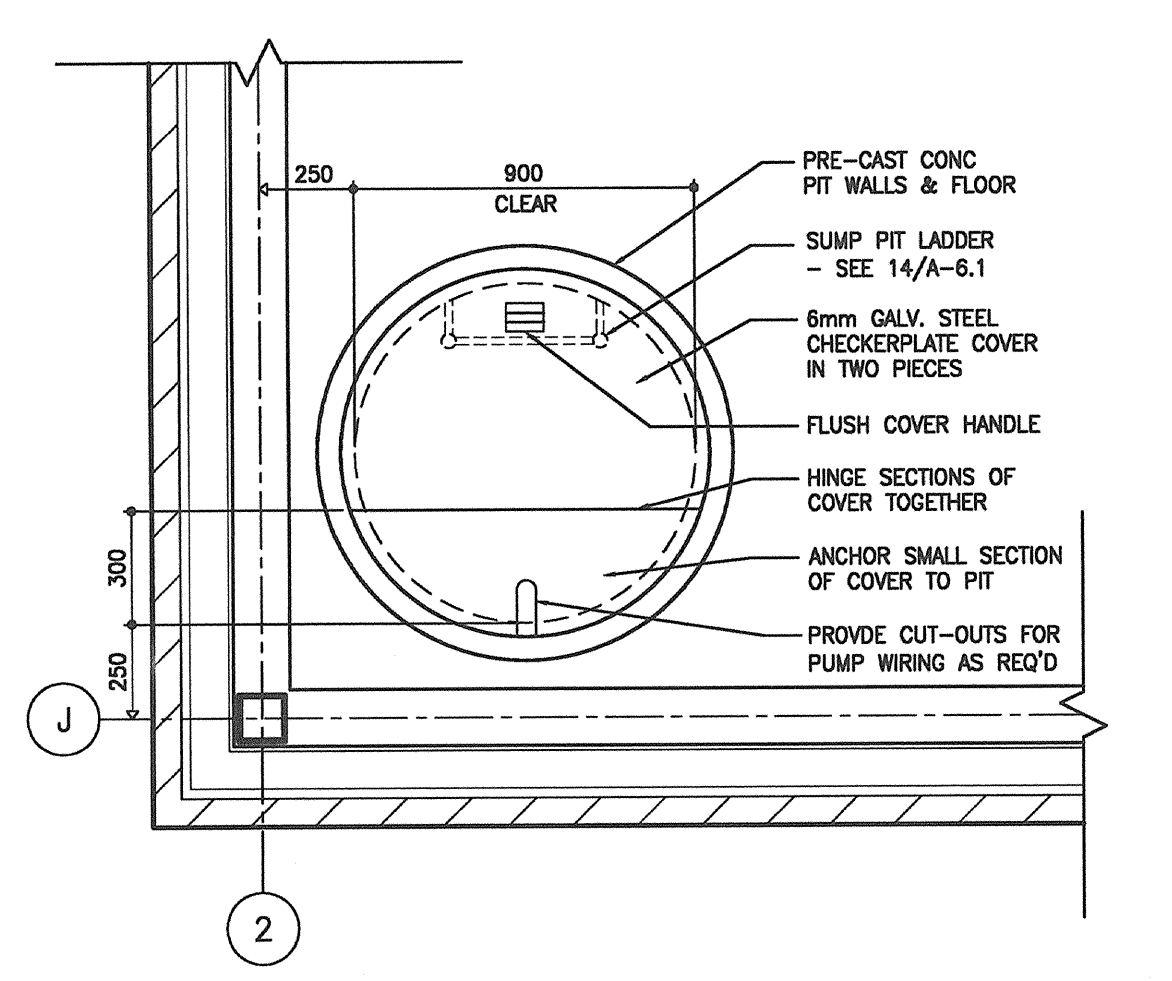
3 MAIN FLOOR ROOF ACCESS PLAN SCALE: 1:50



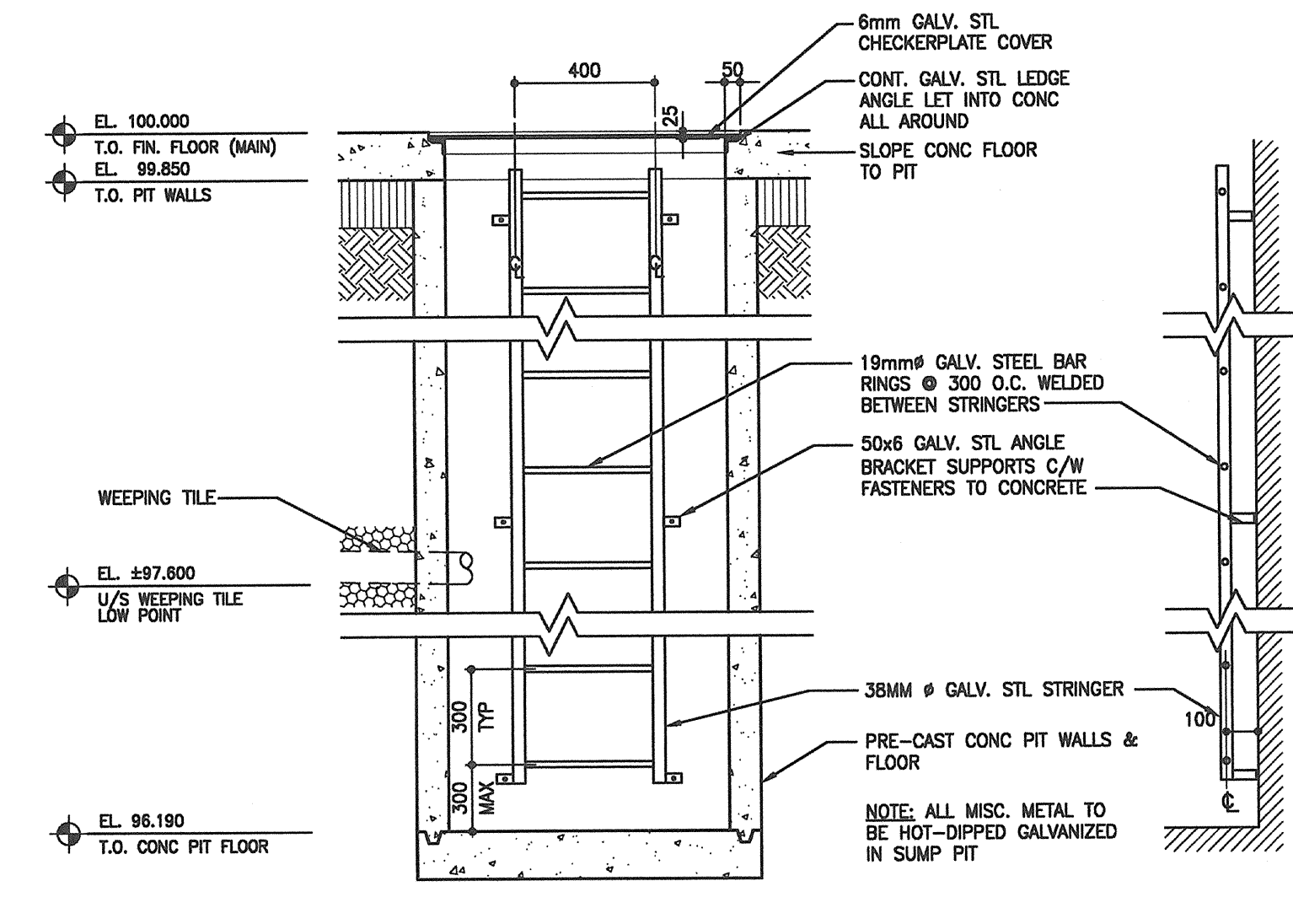
4 STAIR SECTION SCALE: 1:50



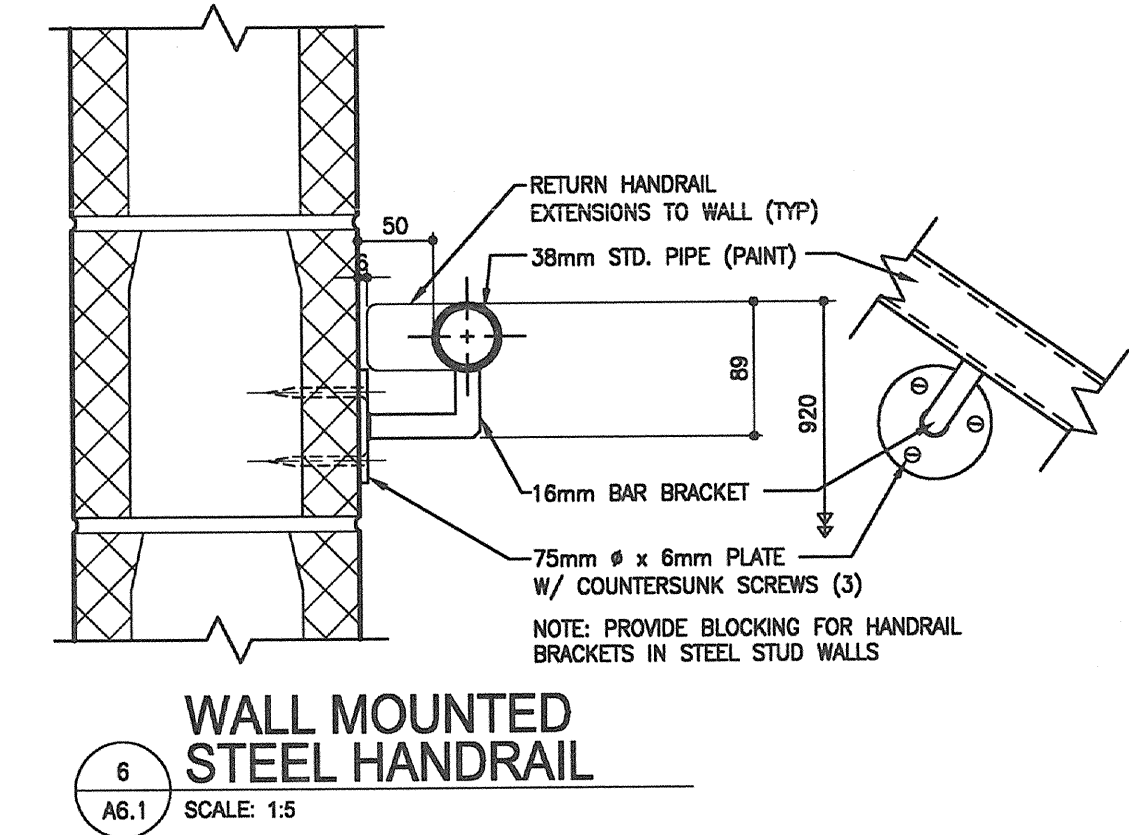
5 TYPICAL ROOF ACCESS SECTIONS SCALE: 1:50



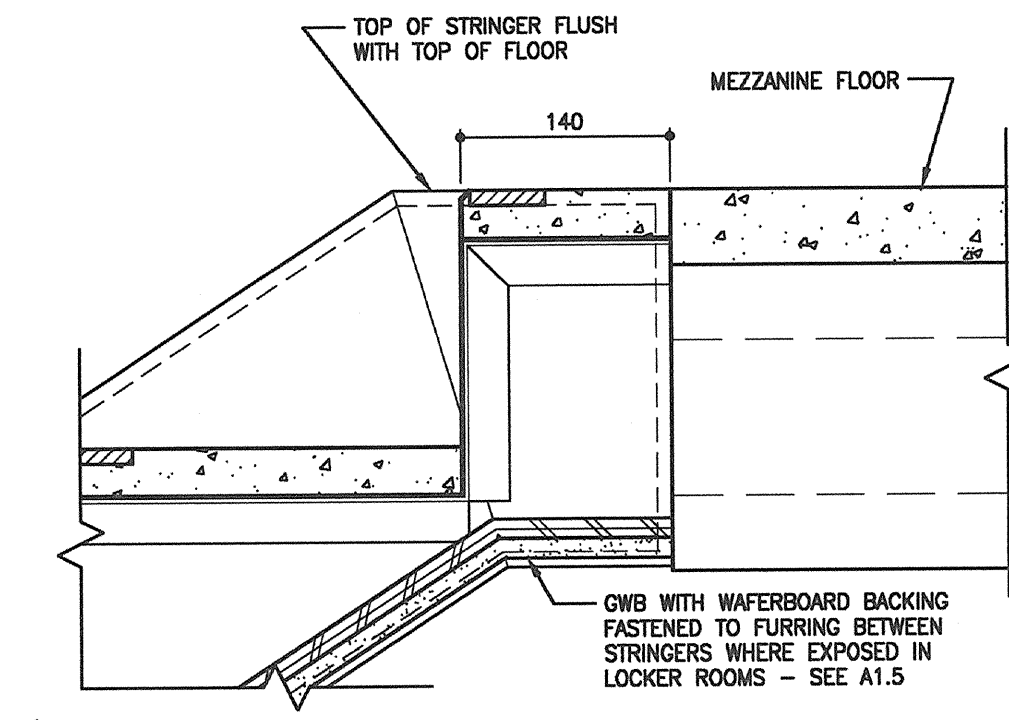
13 SUMP PIT PLAN SCALE: 1:20



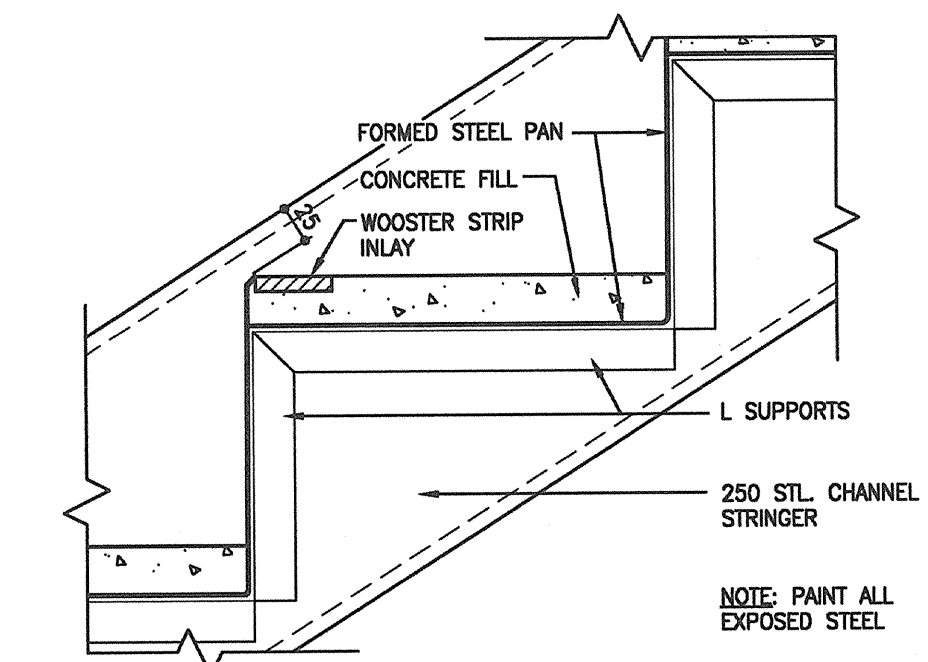
14 SUMP PIT LADDER DETAIL SCALE: 1:20



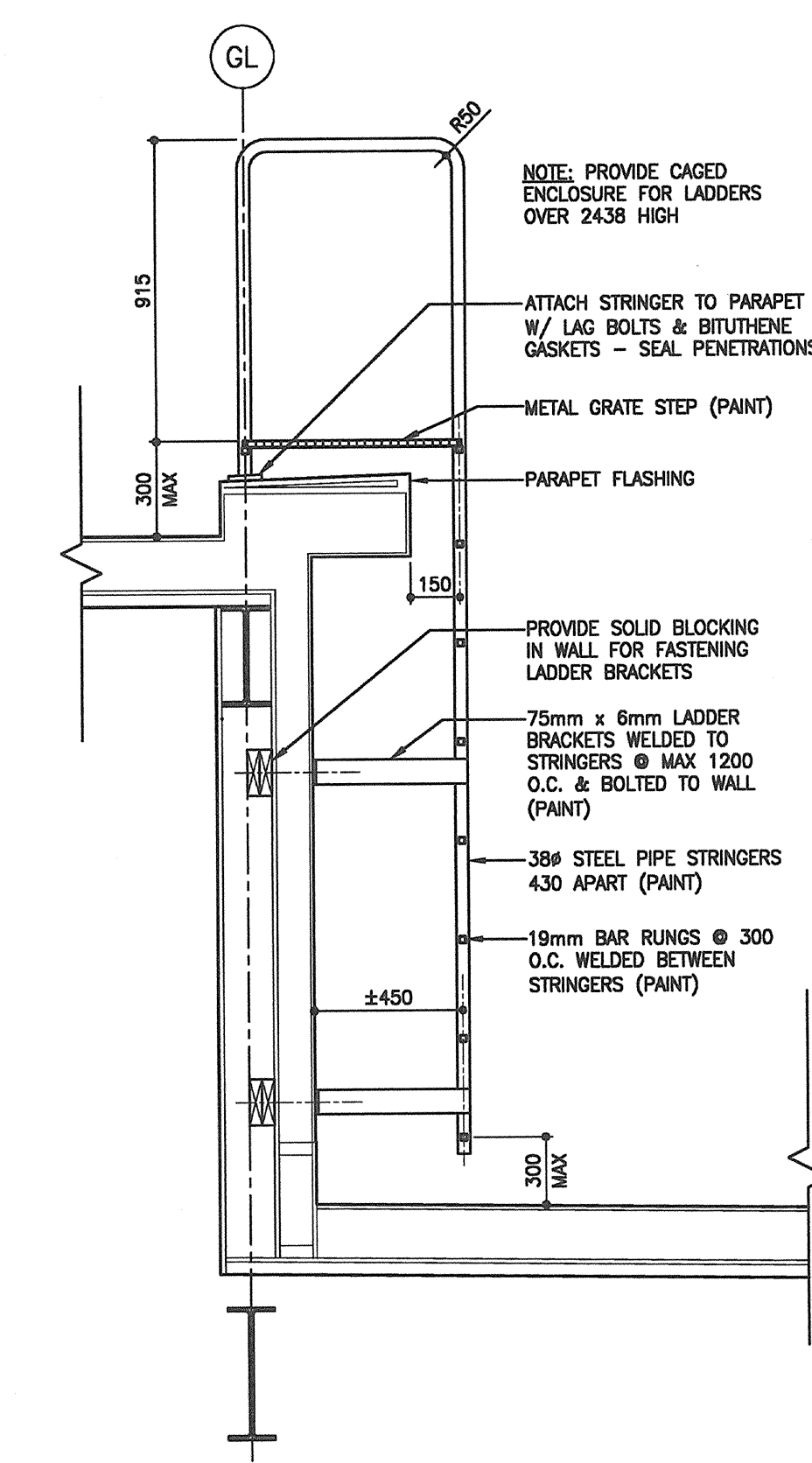
6 WALL MOUNTED STEEL HANDRAIL SCALE: 1:5



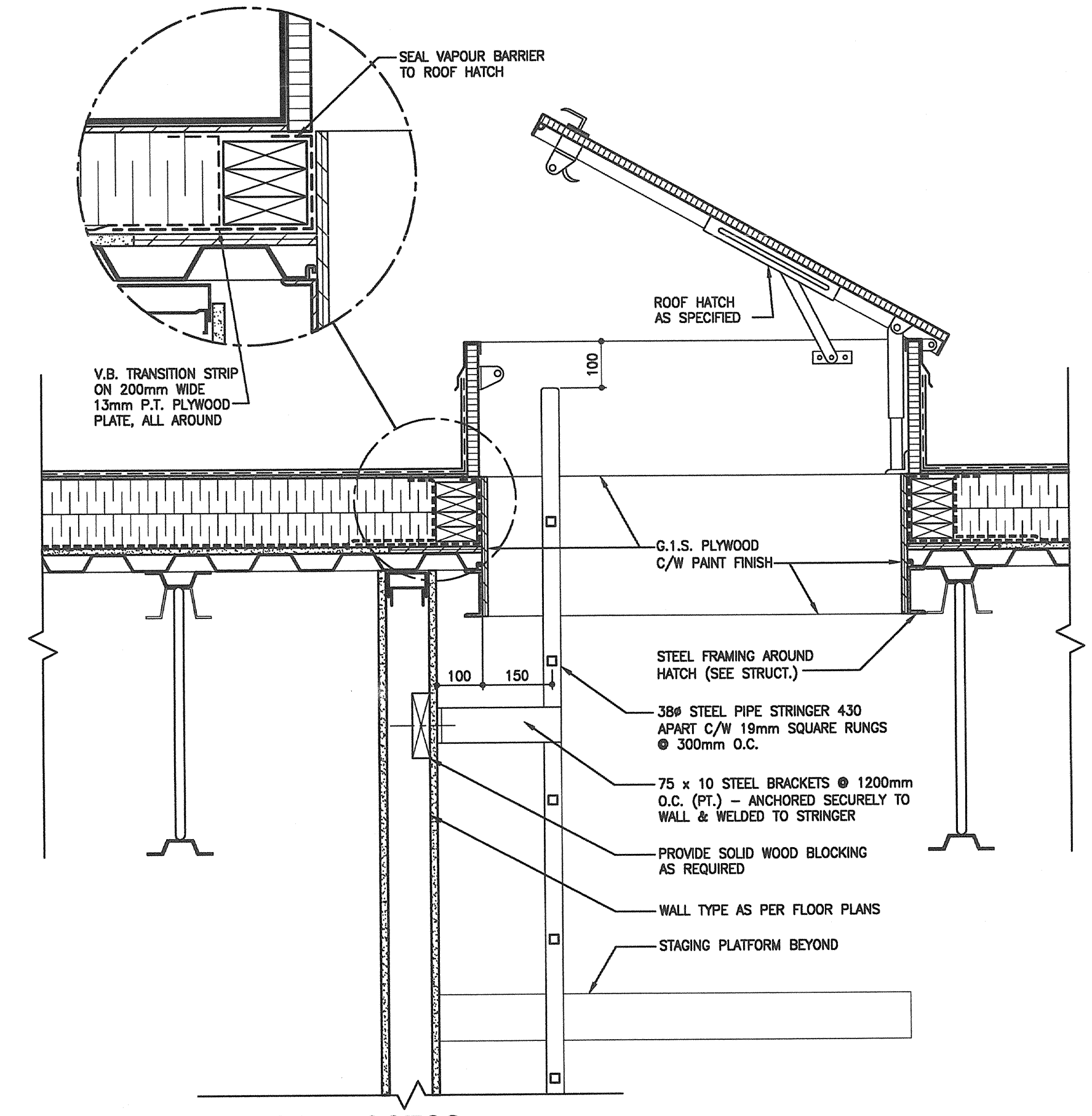
7 STAIR DETAIL AT TOP LANDING SCALE: 1:5



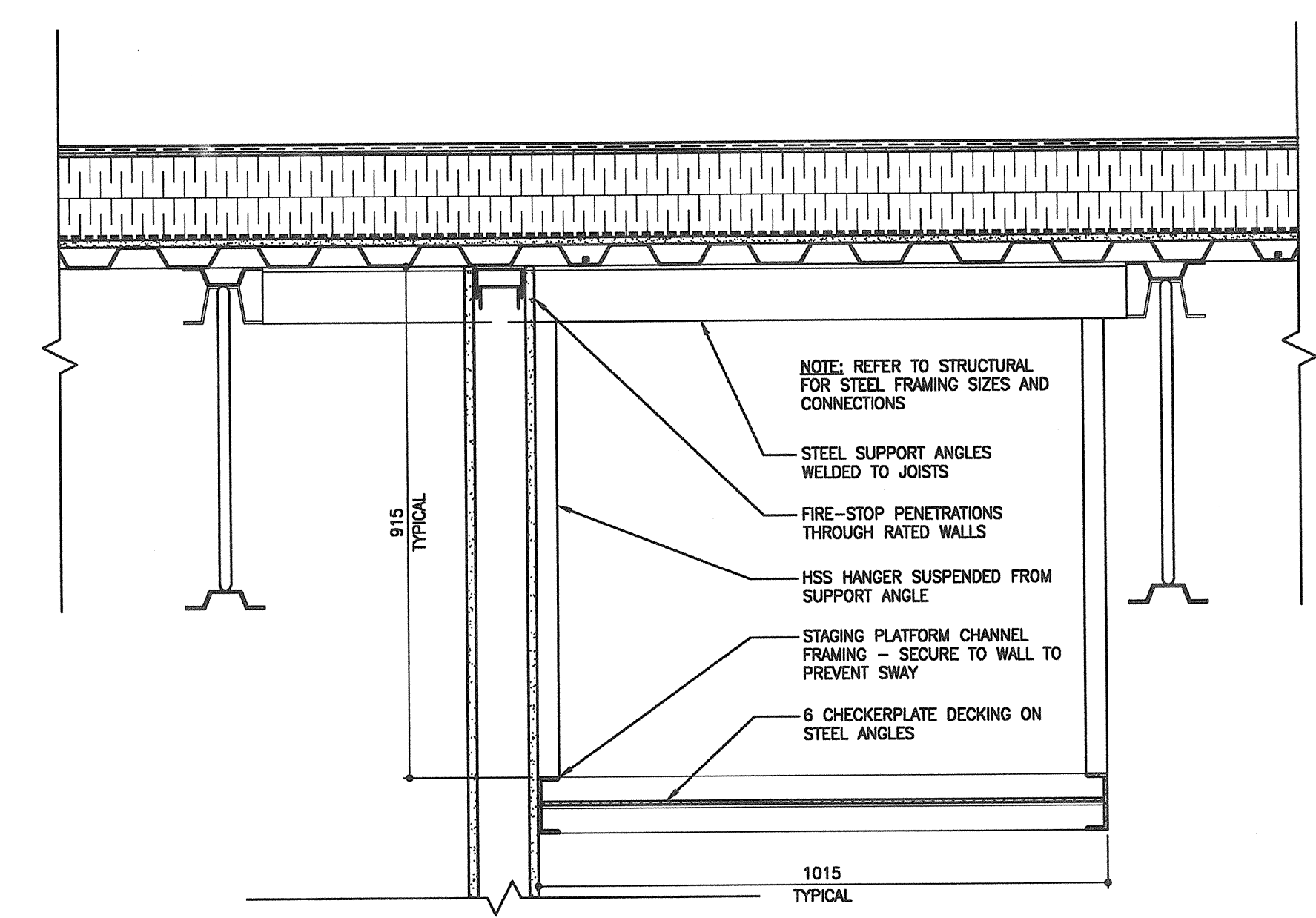
8 EXPOSED STEEL STAIR DETAIL SCALE: 1:5



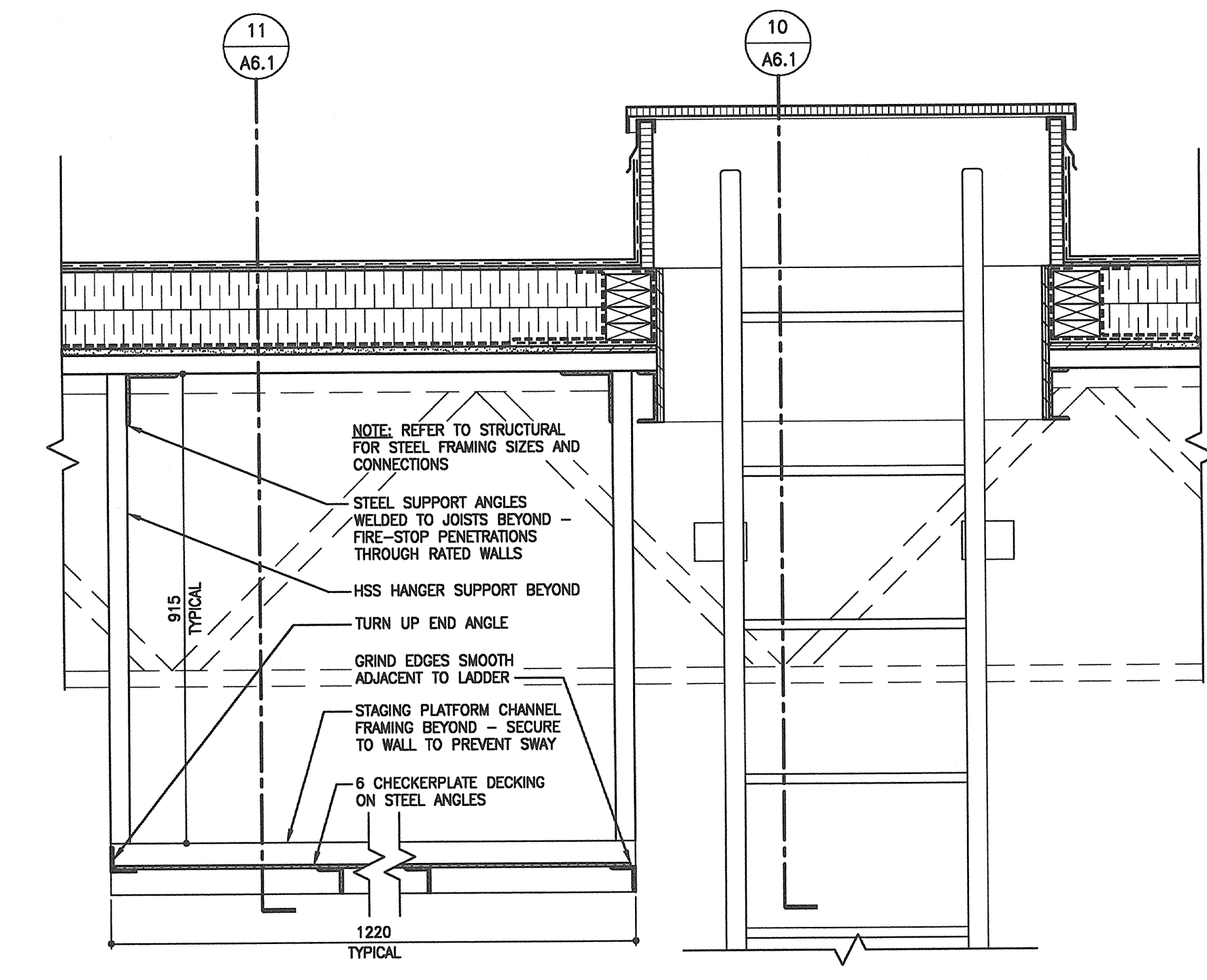
9 EXTERIOR ROOF LADDER DETAIL SCALE: 1:20



10 TYPICAL ROOF ACCESS HATCH AND LADDER DETAIL SCALE: 1:10



11 TYPICAL STAGING PLATFORM SCALE: 1:10



12 TYPICAL STAGING PLATFORM SCALE: 1:10

NOTES:

THIS DRAWING MUST NOT BE SCALED.

THE CONTRACTOR SHALL VERIFY ALL DIMENSIONS, DETAILS, AND LEVELS PRIOR TO COMMENCEMENT OF WORK. ALL ERRORS AND OMISSIONS TO BE REPORTED TO THE CONTRACT ADMINISTRATOR BEFORE PROCEEDING.

VARIATIONS AND MODIFICATIONS TO WORK SHOWN ON THESE DRAWINGS SHALL NOT BE CARRIED OUT WITHOUT WRITTEN PERMISSION OF THE CONTRACT ADMINISTRATOR.

THIS DRAWING IS THE EXCLUSIVE PROPERTY OF NUMBER TEN ARCHITECTURAL GROUP AND THE COPYRIGHT IN THE SAME REMAINS RESERVED TO THEM. IT MAY BE REPRODUCED ONLY WITH THE PERMISSION OF THE CITY OF WINNIPEG.

numberTEN architectural group

204 942.9981 250 340.2106

architecture • interior design • graphic design

▲	ISSUED FOR 40% REVIEW	26-OCT-2007
▲	ISSUED FOR CLASS 'X' OPINION OF PROBABLE COSTS	28-NOV-2007
▲	ISSUED FOR 80% REVIEW	7-DEC-2007
▲	ISSUED FOR 100% REVIEW	11-JAN-2008
▲	ISSUED FOR TENDER	18-JAN-2008
NO.	REVISION/DESCRIPTION	DATE

DRAWN BY JMG CHECKED BY DH APPROVED

DATE 18-JAN-2008 USER APPROVAL

CITY OF WINNIPEG PLANNING, PROPERTY & DEVELOPMENT DEPARTMENT CIVIC ACCOMMODATIONS DIVISION 300 - 65 GARRY ST. R3C 4K4

PROJECT BRONX PARK COMMUNITY CENTRE HOME OF GOOD NEIGHBOURS SENIOR CENTRE WINNIPEG, MANITOBA

SHEET TITLE STAIR AND LADDER DETAILS