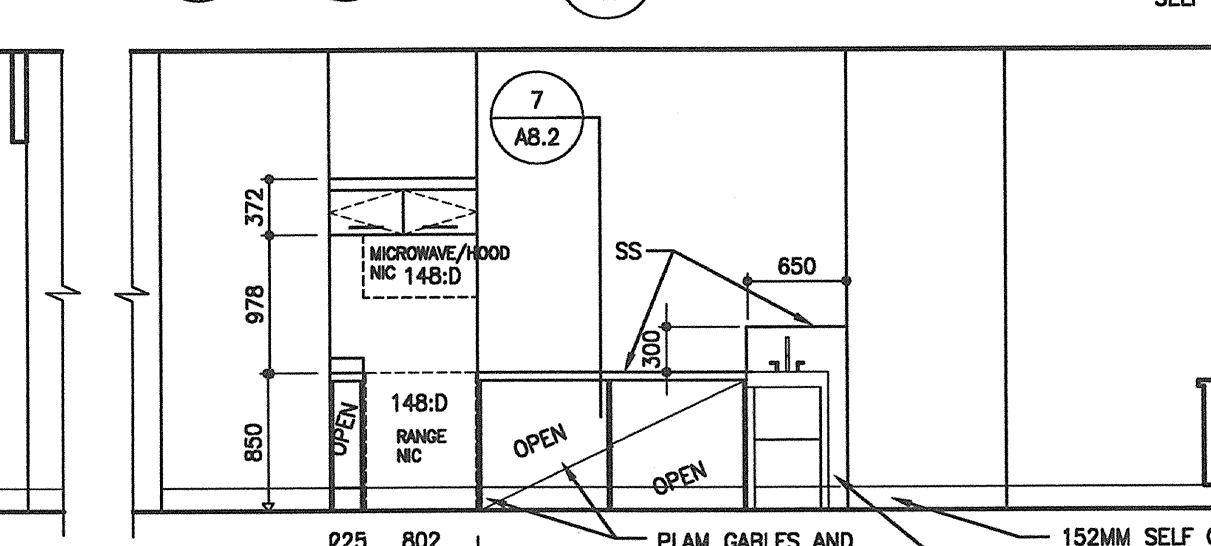
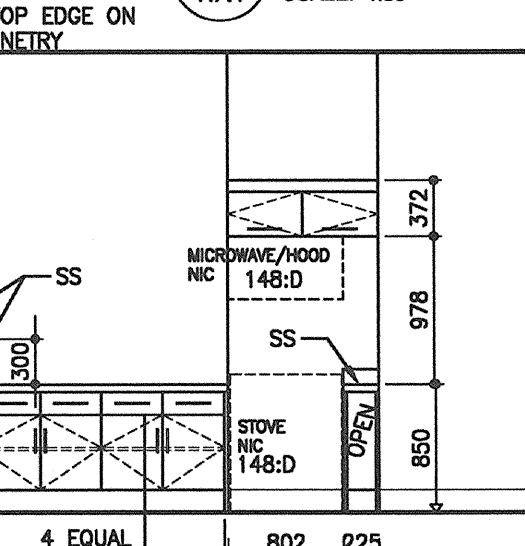
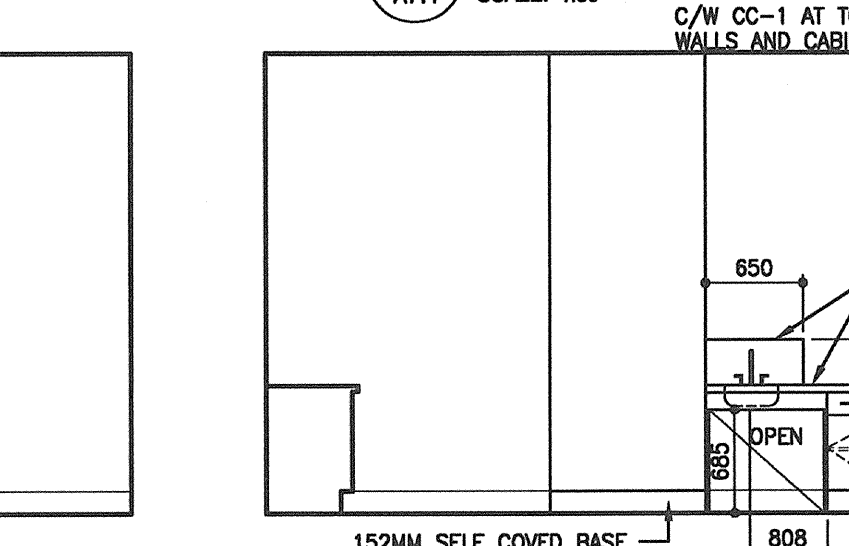
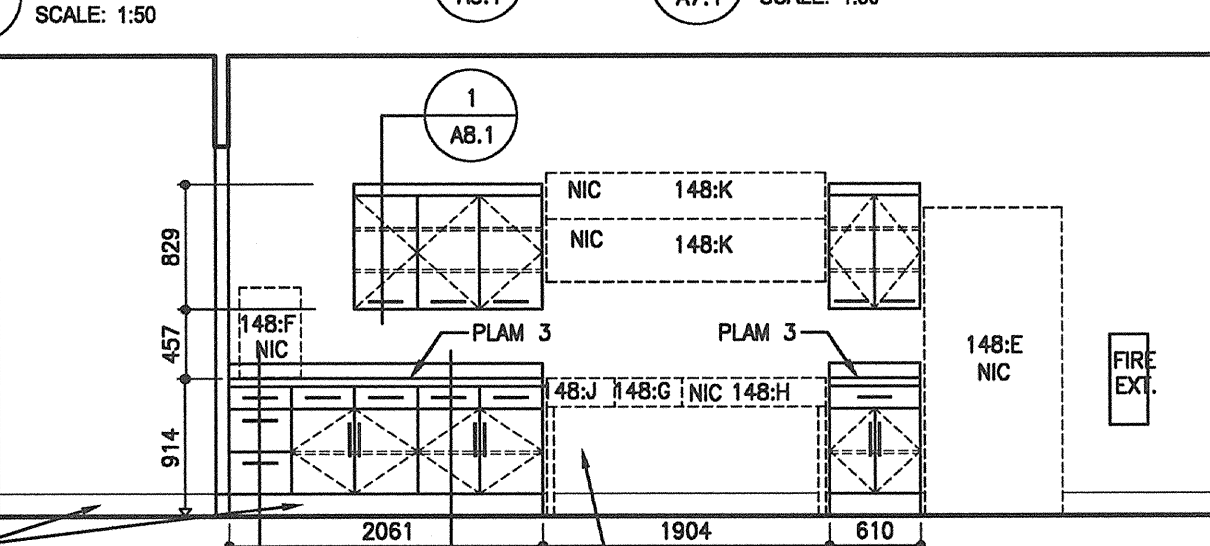
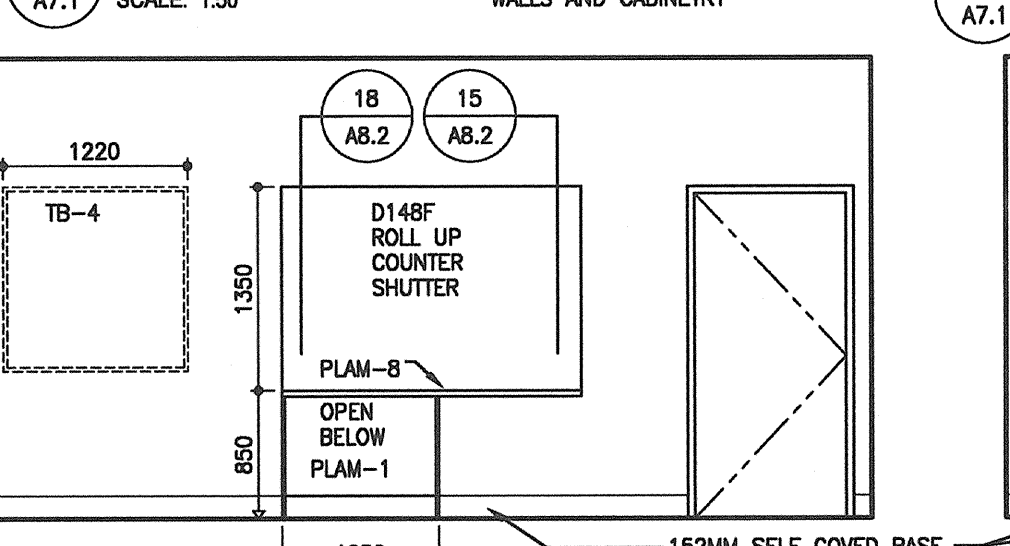
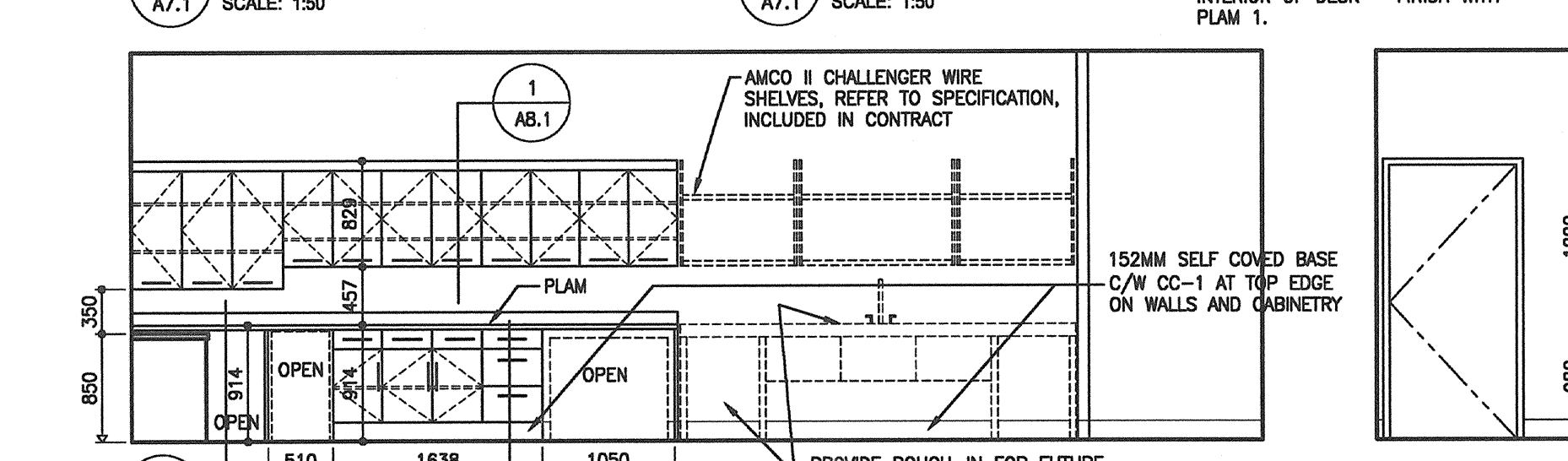
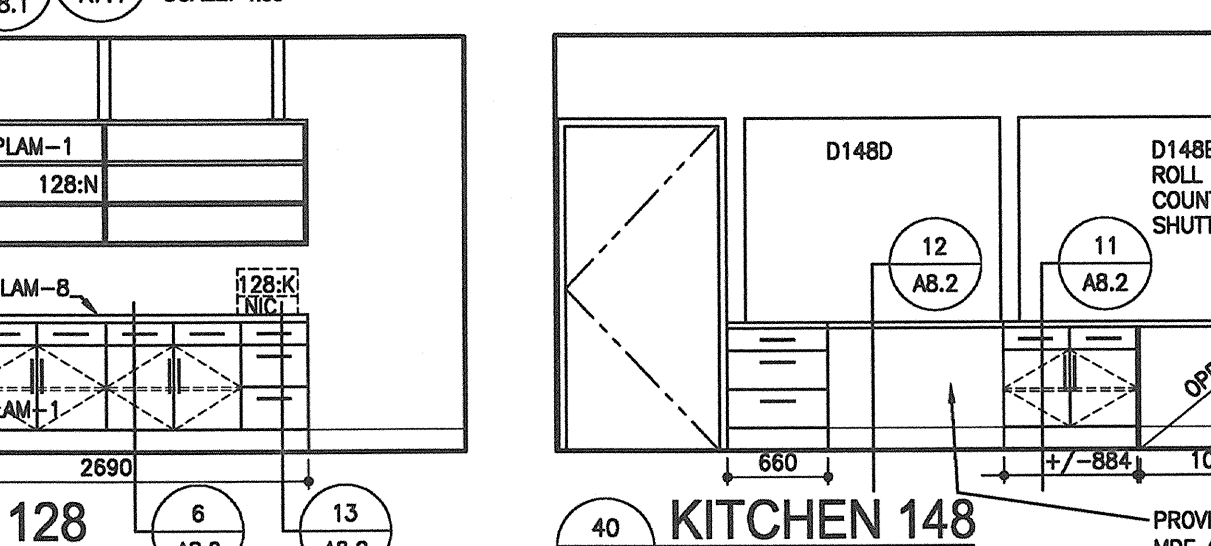
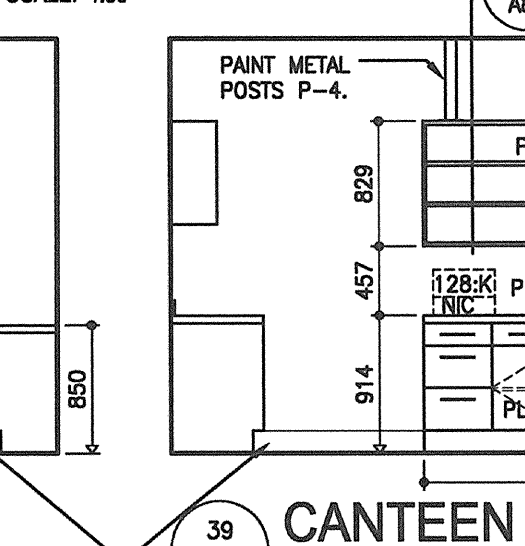
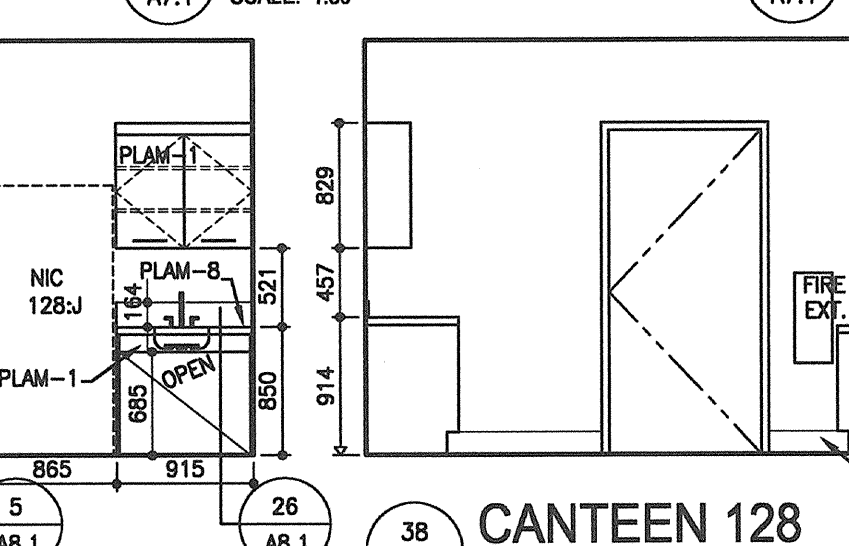
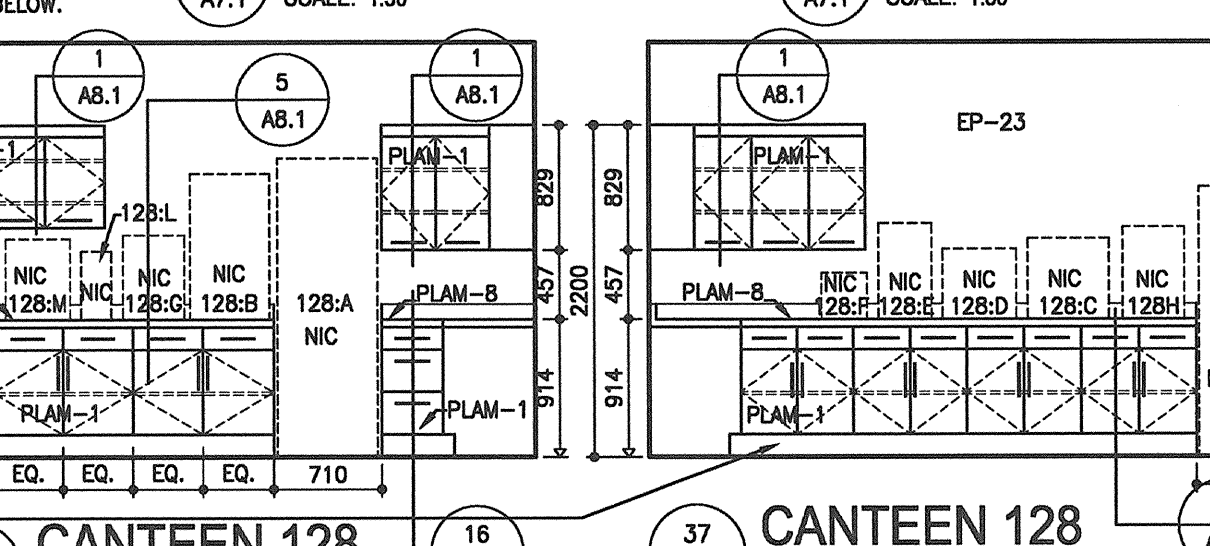
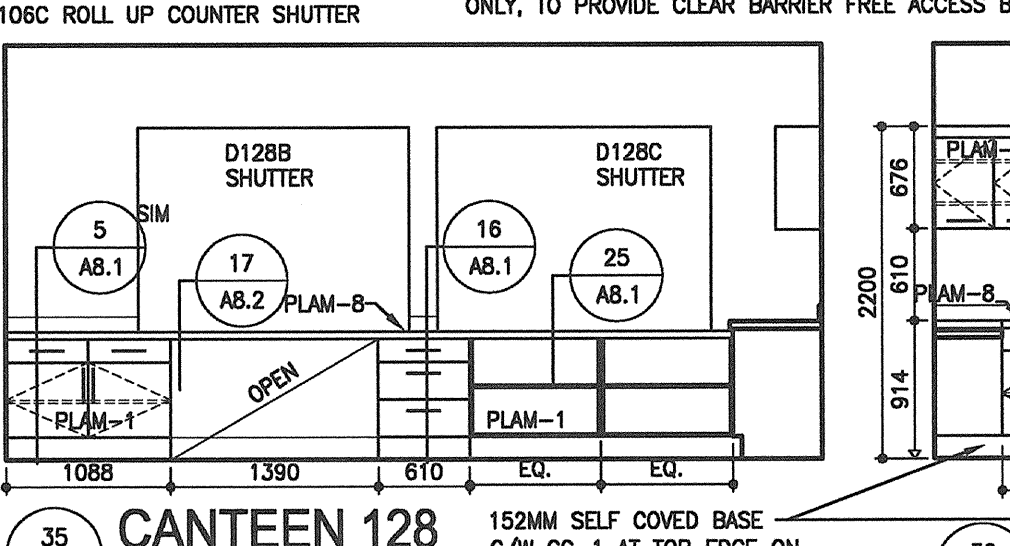
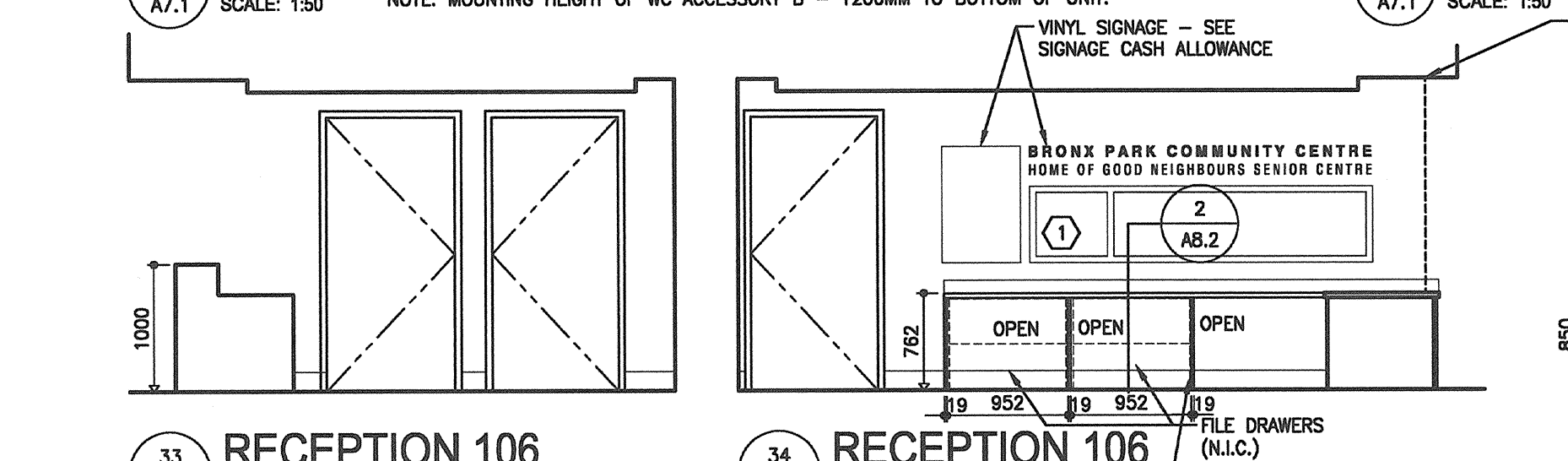
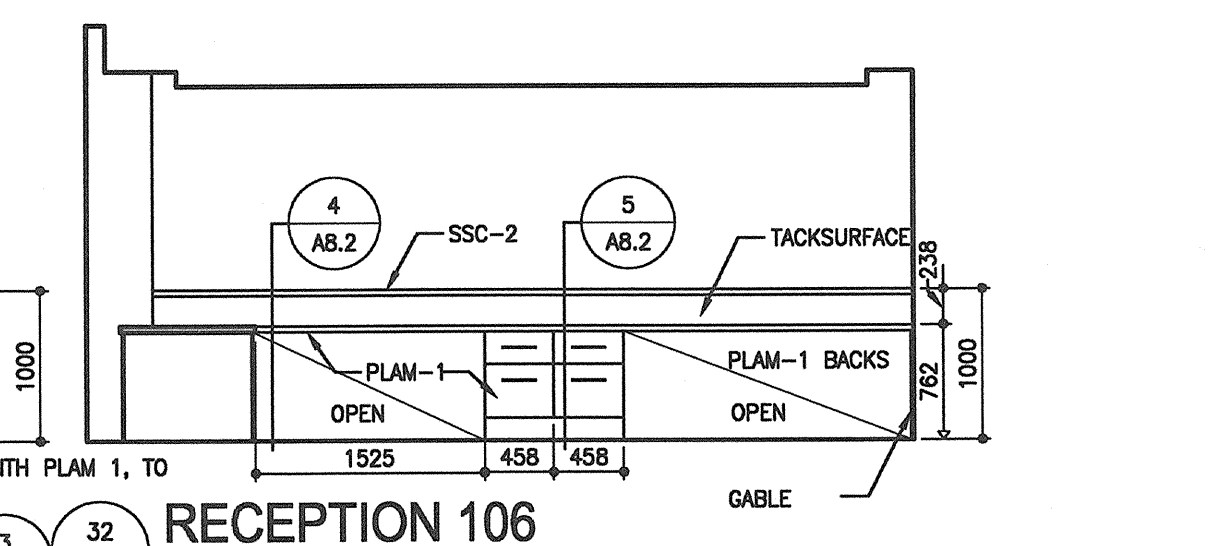
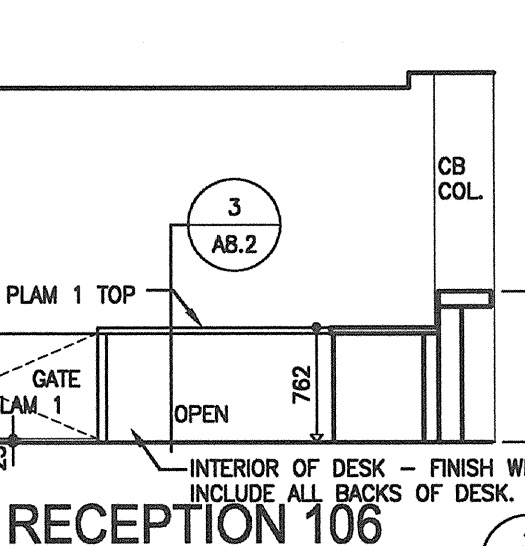
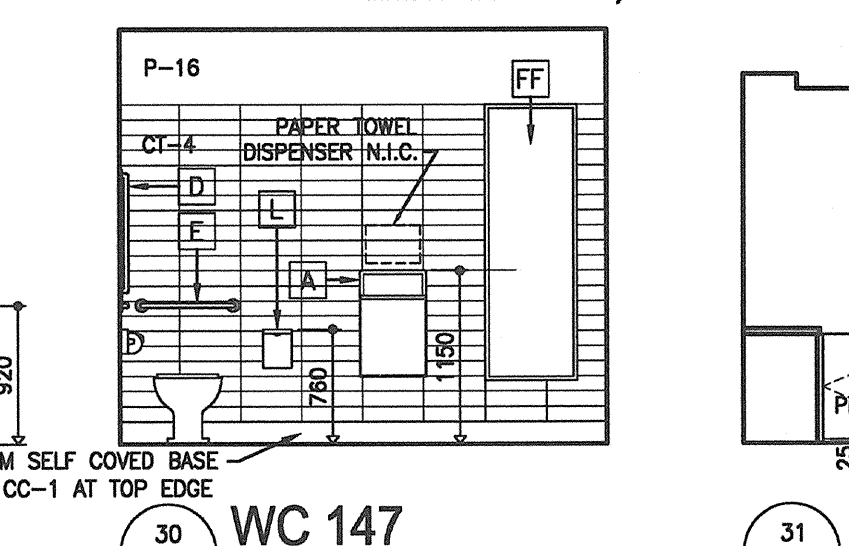
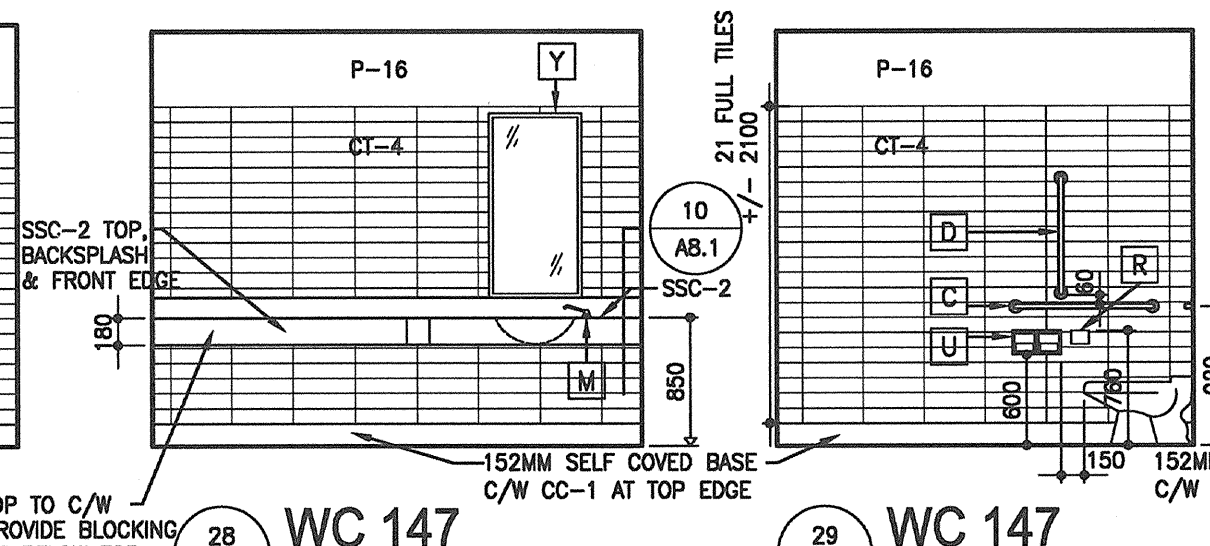
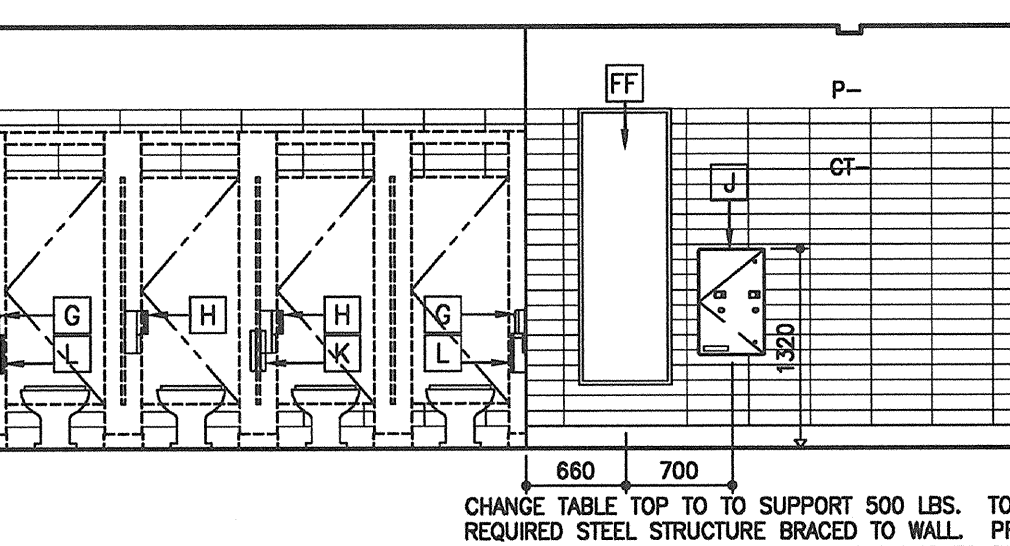
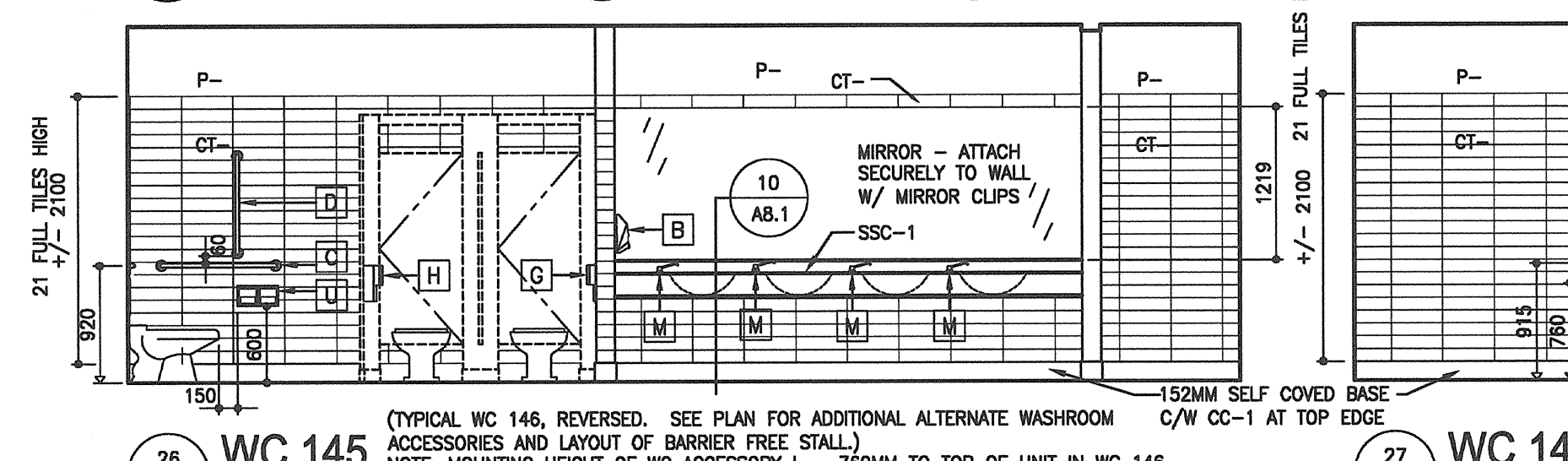
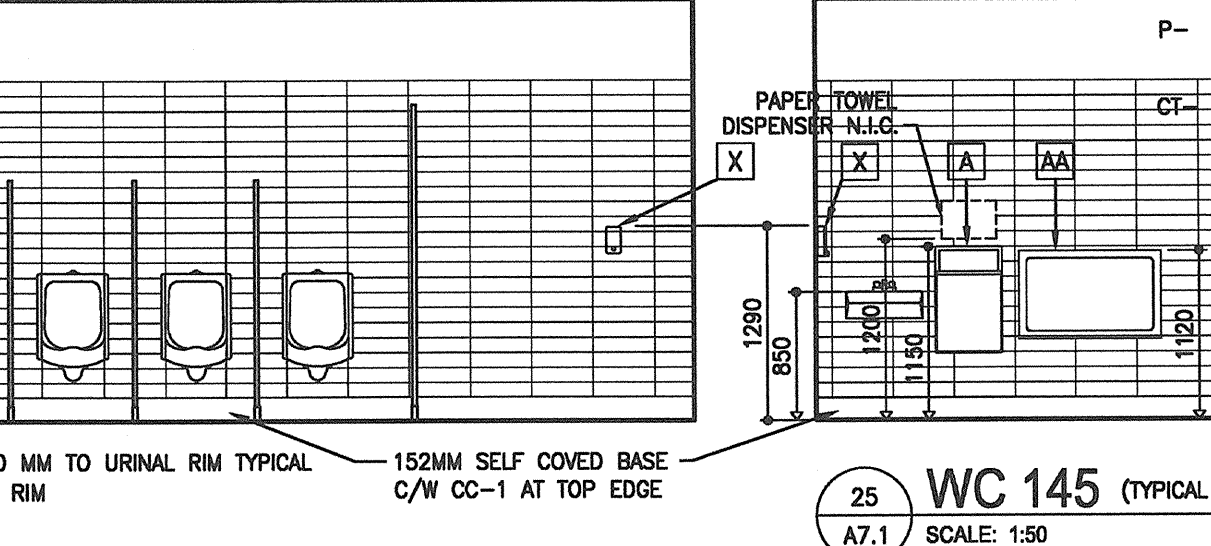
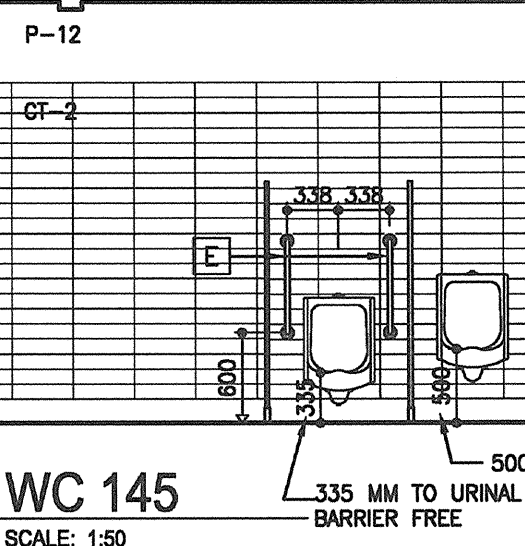
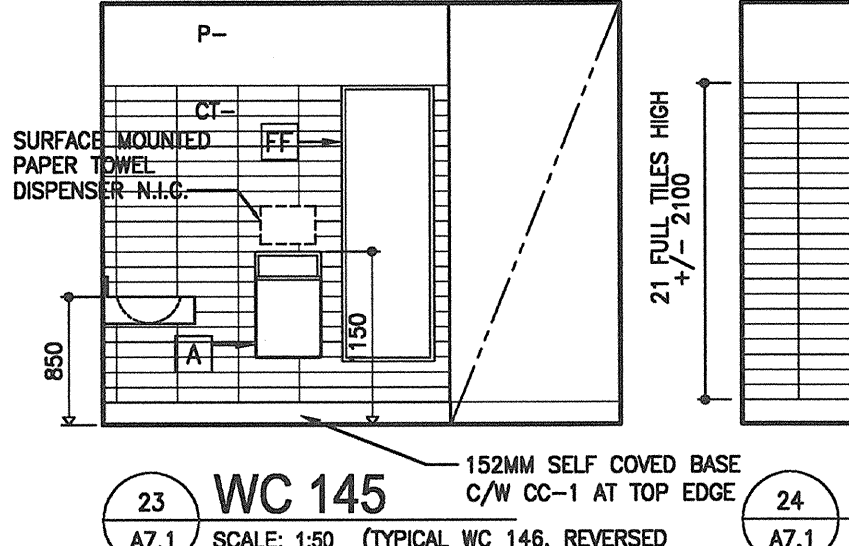
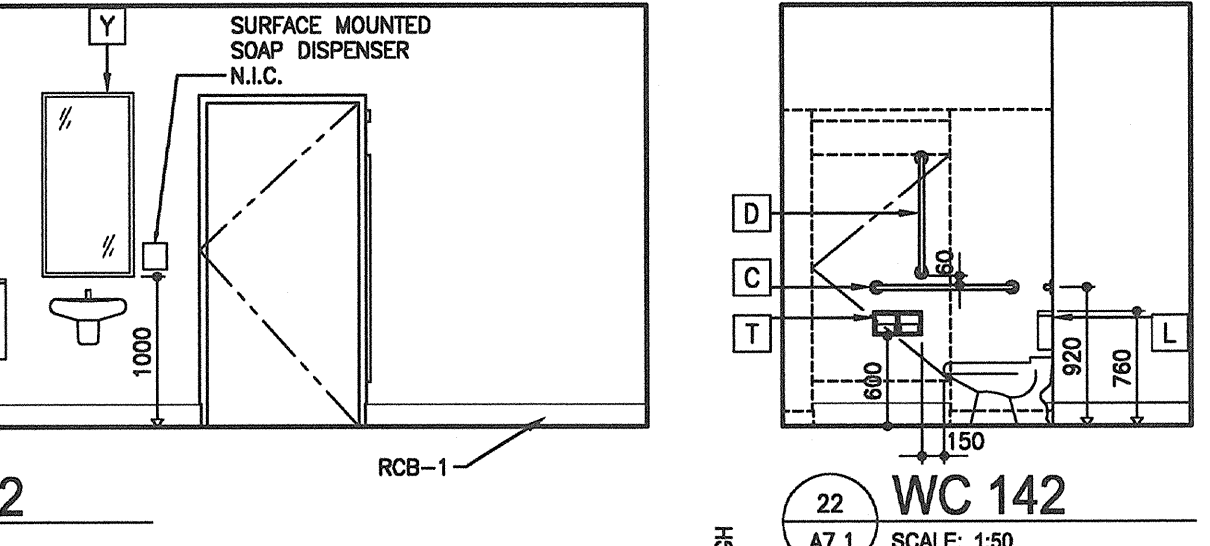
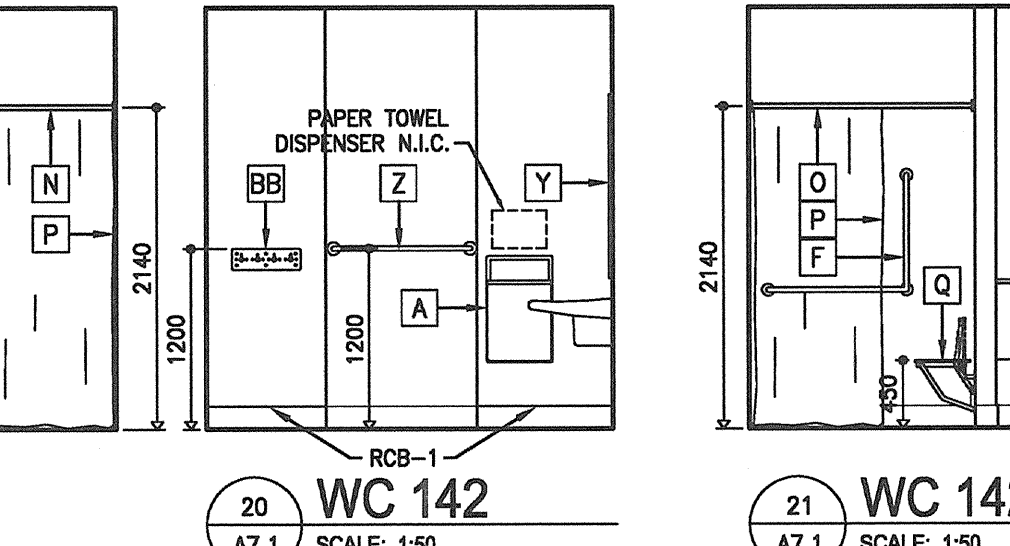
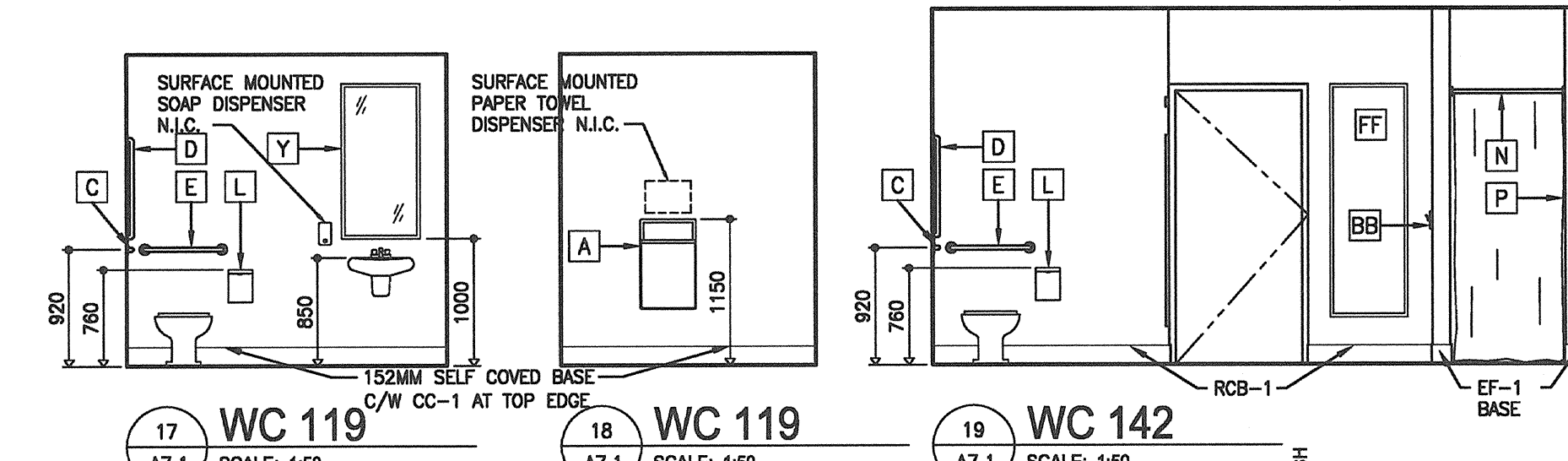
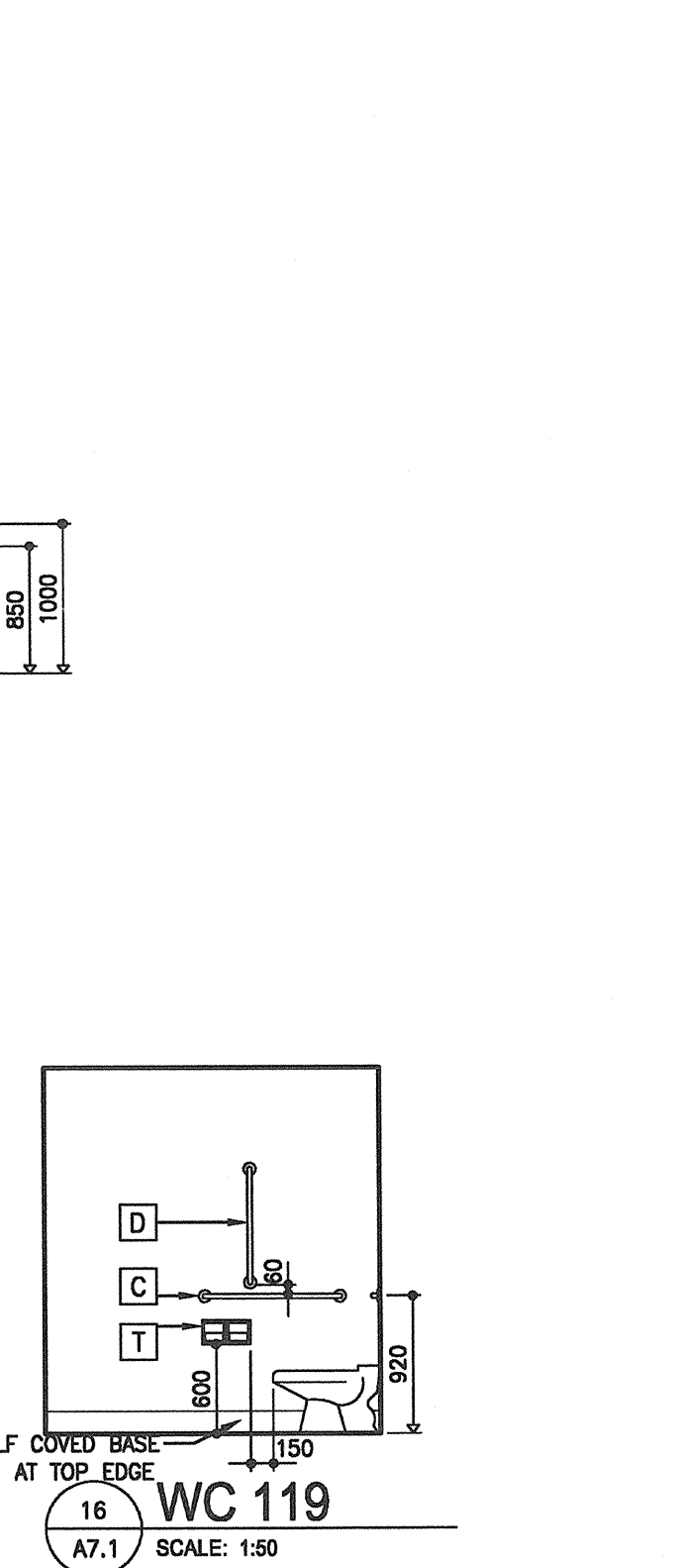
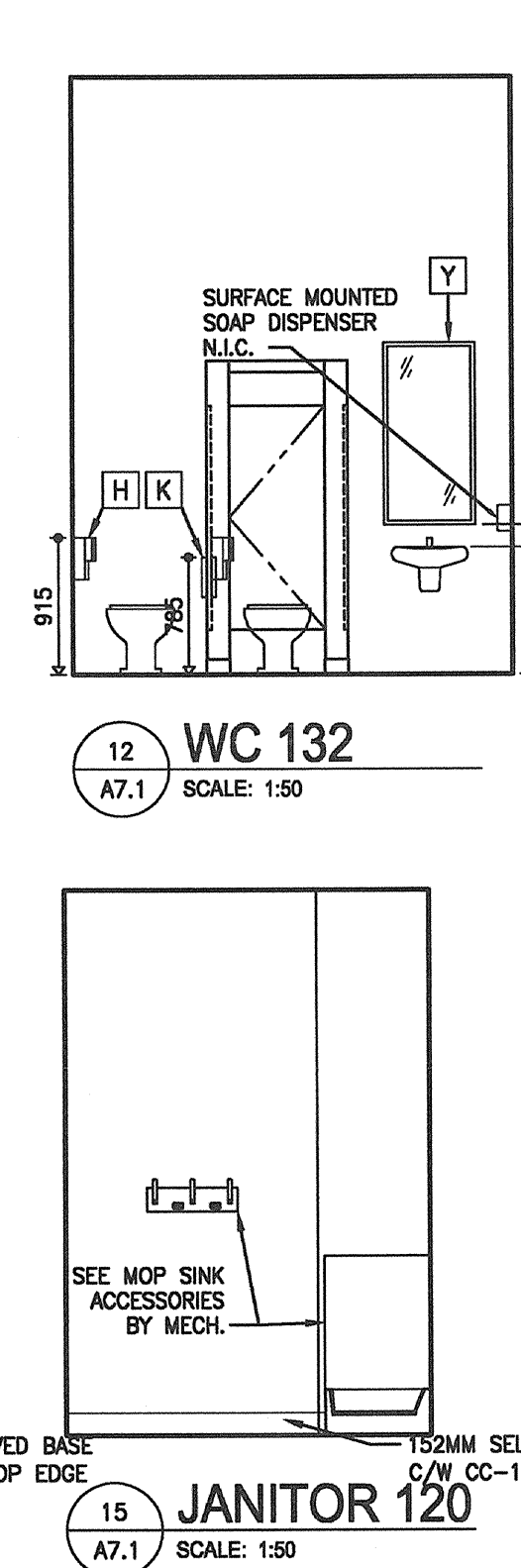
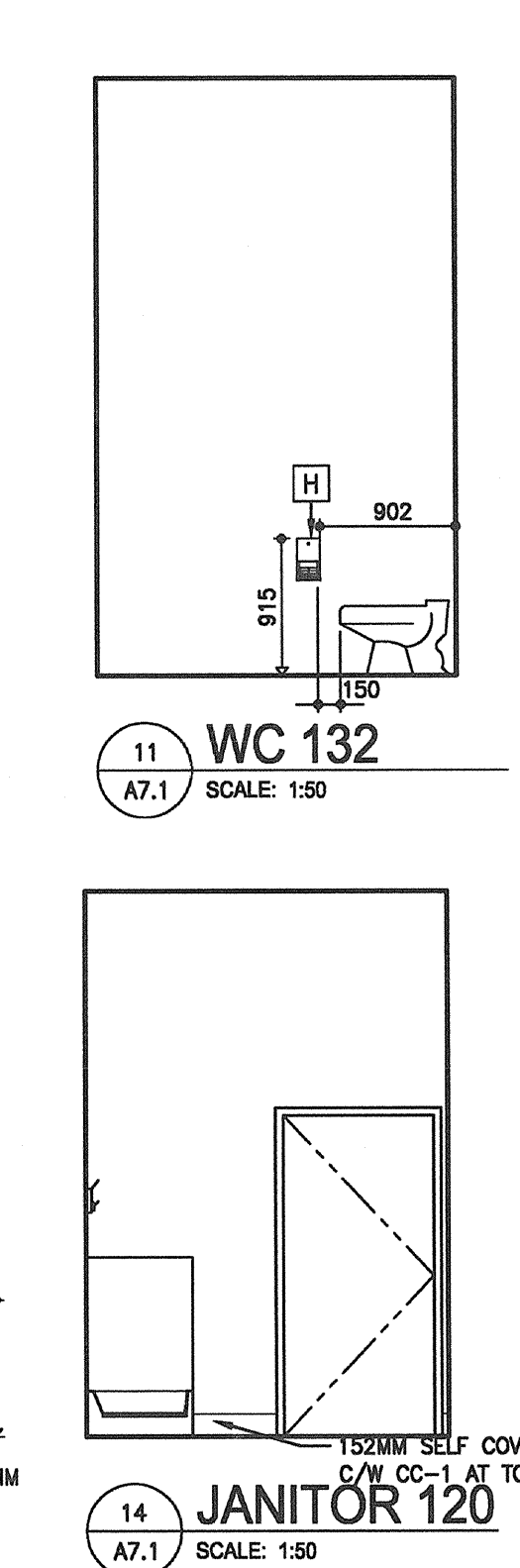
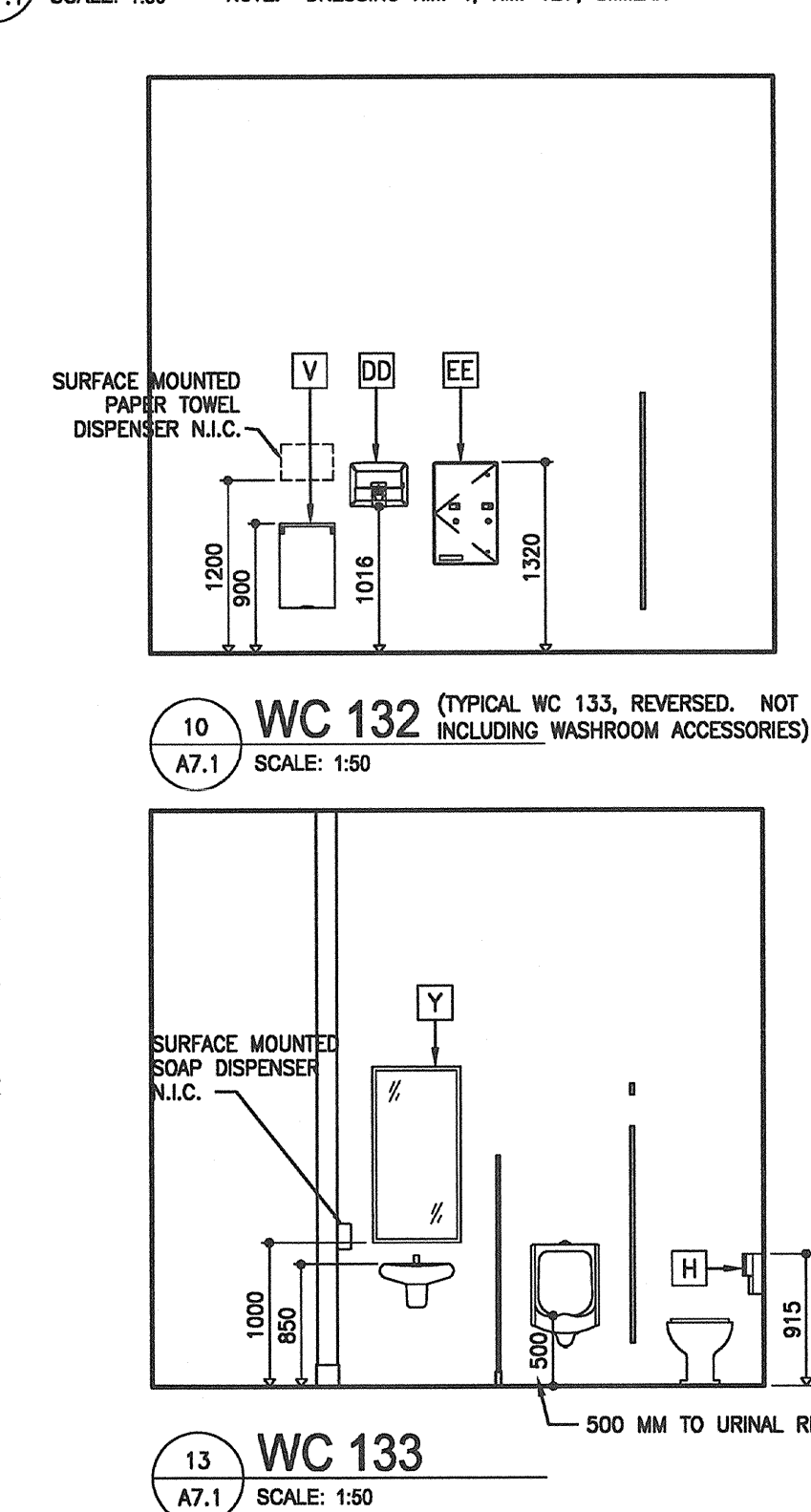
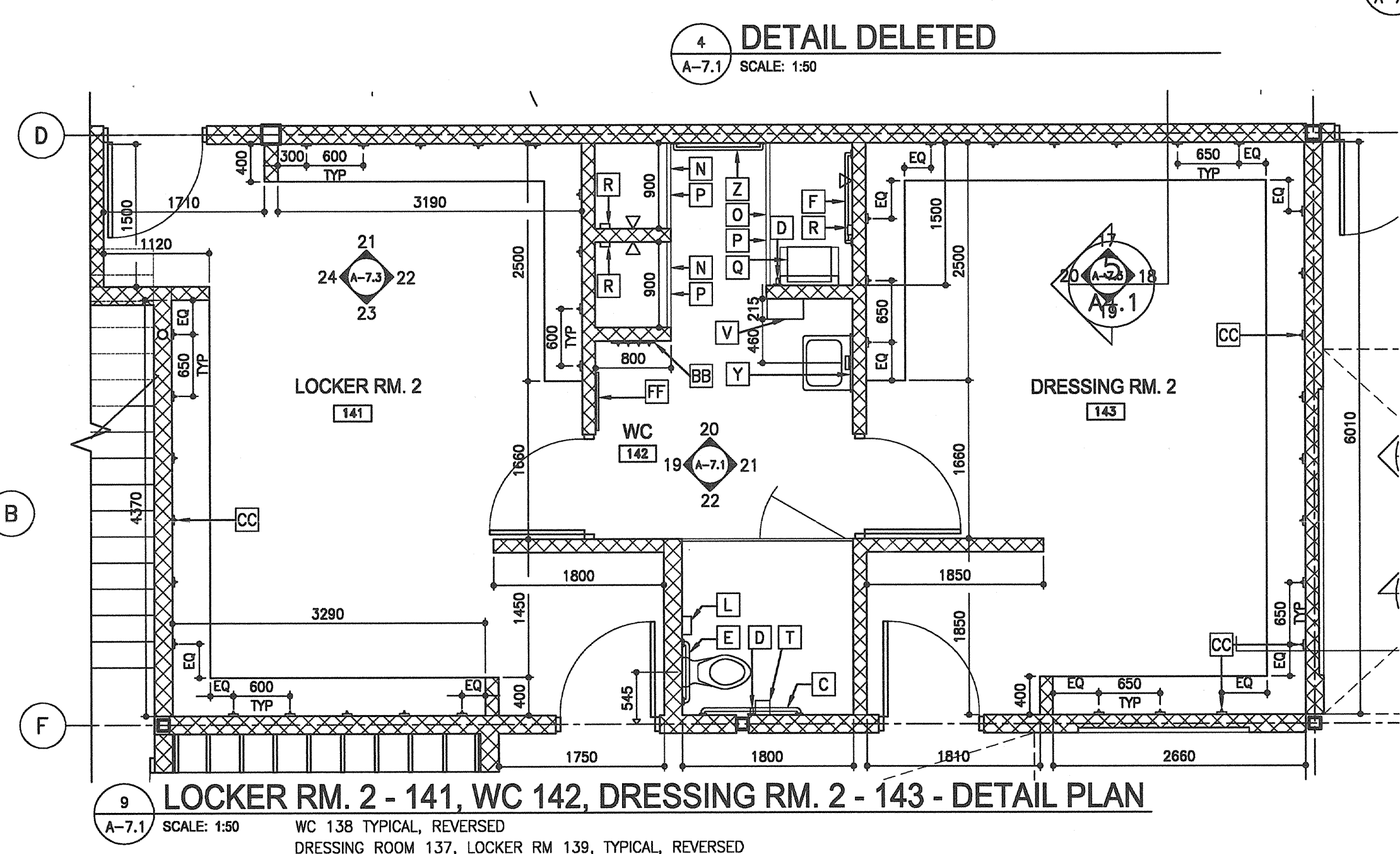
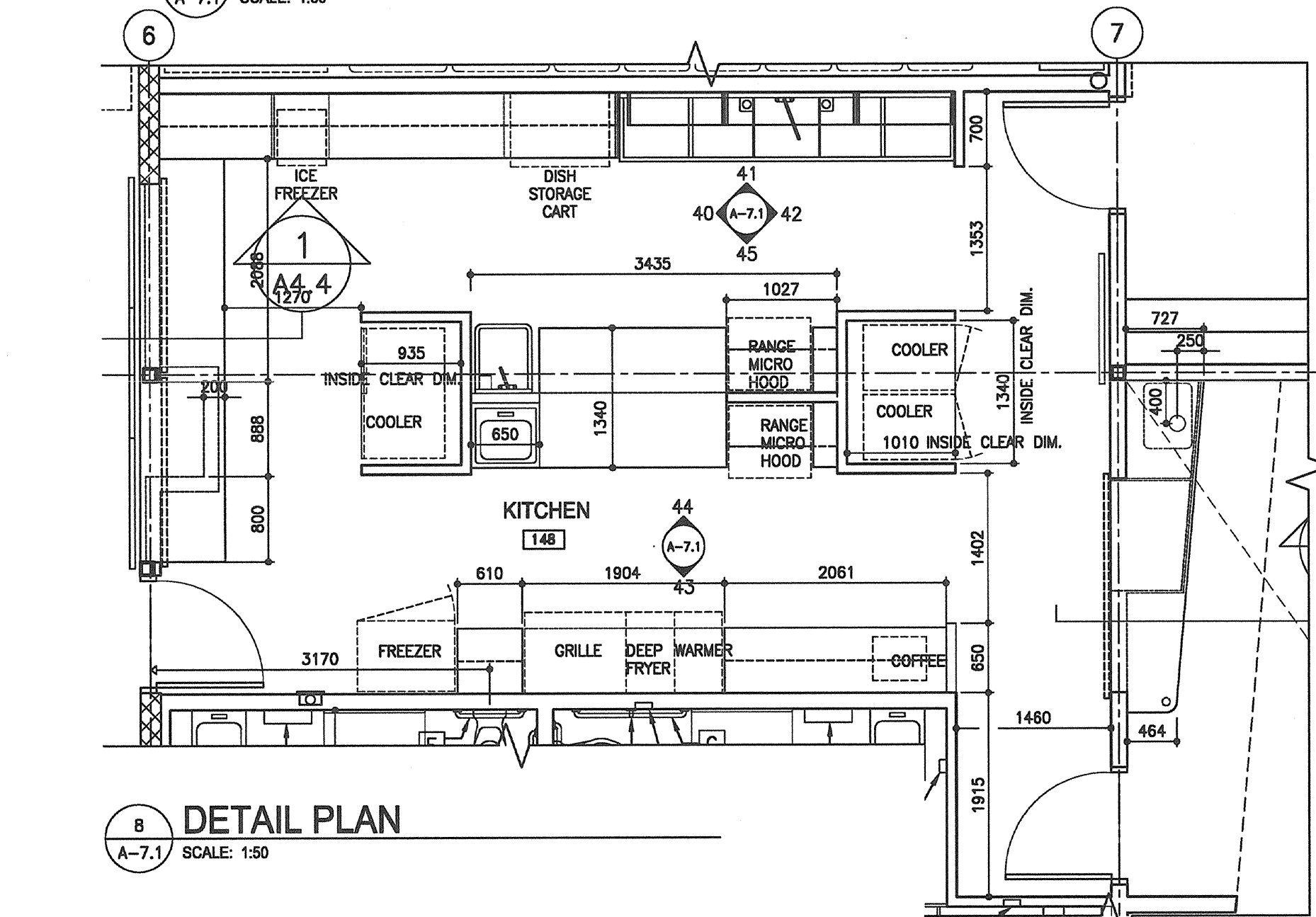


WASHROOM ACCESSORY LEGEND:

CODE	DESCRIPTION	MODEL NUMBER
A	WASTE RECEPTACLE (RECESSED) C/W REUSABLE HEAVY-GAUGE VINYL LINER	BOBRICK: CONTURA B-43644
B	RECESSED ADA/BARRIER-FREE AIRCRAFT AUTOMATIC HAND DRYER	BOBRICK: B-750
C	GRAB BAR 915 MM PEENED GRIP	BOBRICK: B-6806.99 X 915
D	GRAB BAR 760 MM PEENED GRIP	BOBRICK: B-6806.99 X 760
E	GRAB BAR 610 MM PEENED GRIP	BOBRICK: B-6806.99 X 610
F	L SHAPED GRAB BAR HORIZONTAL COMPONENT 930 MM LONG, VERTICAL COMPONENT 760 MM HIGH, PEENED GRIP	BOBRICK: SPECIAL ORDER
G	TOILET TISSUE DISPENSER (RECESSED)	BOBRICK: CONTURA B-4388
H	TOILET TISSUE DISPENSER (SURFACE MOUNTED)	BOBRICK: CONTURA B-4288
J	FEMINE NAPKIN/TAMPON VENDOR (RECESSED)	BOBRICK: CONTURA B-43500 25, 25 CENTS OPERATION
K	FEMINE NAPKIN DISPOSAL (PARTITION MOUNTED)	BOBRICK: CONTURA B-4354
L	FEMINE NAPKIN DISPOSAL (SURFACE MOUNTED)	BOBRICK: CONTURA B-270
M	LAUNDRY MOUNTED SOAP DISPENSER 1.0 L CAPACITY, SPOUT LENGTH 6", STAINLESS STEEL	BOBRICK: B-8228
N	SHOWER CURTAIN ROD, 915 MM LONG	BOBRICK: B-6107 (915)
O	SHOWER CURTAIN ROD, 1525 MM LONG	BOBRICK: B-6107 (1525)
P	SHOWER CURTAIN MILIKEN SHOWER SHIELD 100% DACRON POLYESTER WITH VISA XL FINISH WIDTH: 72" WIDE COLOR: SNOW NOTE: FIRE RETARDANT, ANTIMICROBIAL	BOBRICK: B-5191
Q	SHOWER FOLD DOWN SEAT	BOBRICK: B-5191
R	SOAP DISH (RECESSED)	BRADLEY: 940 BRADEX
S	PAPER RESISTANT CLOTHES HOOK	BOBRICK: B-983
T	TOILET PAPER DISPENSER (SURFACE MOUNTED)	BRADLEY: 5126-52
U	TOILET PAPER DISPENSER (RECESSED)	BRADLEY: 5123-52-55
V	WASTE RECEPTACLE (SURFACE MOUNTED)	BOBRICK: B-277
W	DOOR PULL	WES: 8112-5-JUS20 SATIN ALUMINUM - CLEAR ANODIZED
X	SOAP DISPENSER (SURFACE MOUNTED)	BOBRICK: B-2111
Y	FRAMED MIRROR	BOBRICK: B-290 2448
Z	TOWEL BAR 915 LONG	BOBRICK: B-550 (915)
AA	DIAPER CHANGING STATION (RECESSED)	KOALA CARE: KB110-SRRE
BB	VANDAL RESISTANT HOOK	BOBRICK: B-985
CC	VANDAL RESISTANT CLOTHES HOOK	BOBRICK: B-981
DD	AIRCRAFT HAND DRYER (SURFACE MOUNTED)	BOBRICK: B-700
EE	SANITARY NAPKIN/TAMPON VENDOR (SURFACE MOUNTED)	BOBRICK: B-43500 25, 25 CENTS OPERATION
FF	FRAMED MIRROR	B-290 2472



numberTEN architectural group
winipeg mb victoria bc
204 942.0981 250 360.2106

architecture = interior design = graphic design

NO.	REVISION/DESCRIPTION	DATE
1	ISSUED FOR 40% REVIEW	28-OCT-2007
2	ISSUED FOR CLASS 'A' OPINION OF PROBABLE COSTS	28-NOV-2007
3	ISSUED FOR 60% REVIEW	7-DEC-2007
4	ISSUED FOR 100% REVIEW	11-JAN-2008
5	ISSUED FOR TENDER	18-JAN-2008

PROVINCE OF MANITOBA
REGISTERED ARCHITECT
DOUG HANNA
JAN 18/08
REGISTERED ARCHITECT

PROVINCE OF MANITOBA
REGISTERED ARCHITECTURAL GROUP
No. 010
REGISTERED ARCHITECT

CITY OF WINNIPEG
PLANNING, PROPERTY & DEVELOPMENT DEPARTMENT
CIVIC ACCOMMODATIONS DIVISION
300 - 65 GARRY ST. R3C 4K4

PROJECT: BRONX PARK COMMUNITY CENTRE
HOME OF GOOD NEIGHBOURS SENIOR CENTRE
WINNIPEG, MANITOBA

INTERIOR ELEVATIONS
SCALE: 1:50 PROJECT NO: PP&D 2006-065 SHEET NO: A-7.1
DRAWING SHEET SIZE: A0 (1189mm x 841mm) PLOT 1:1