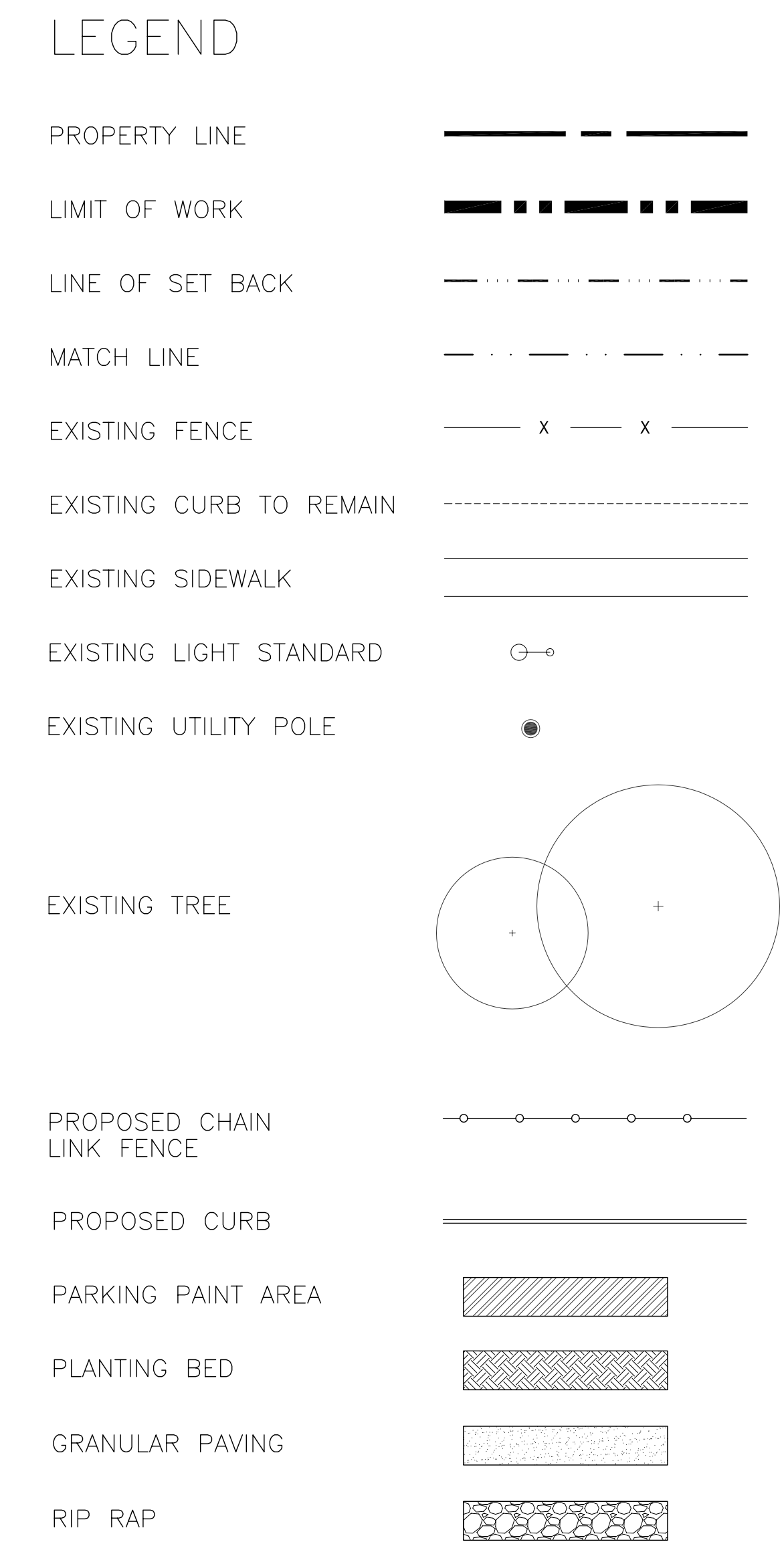
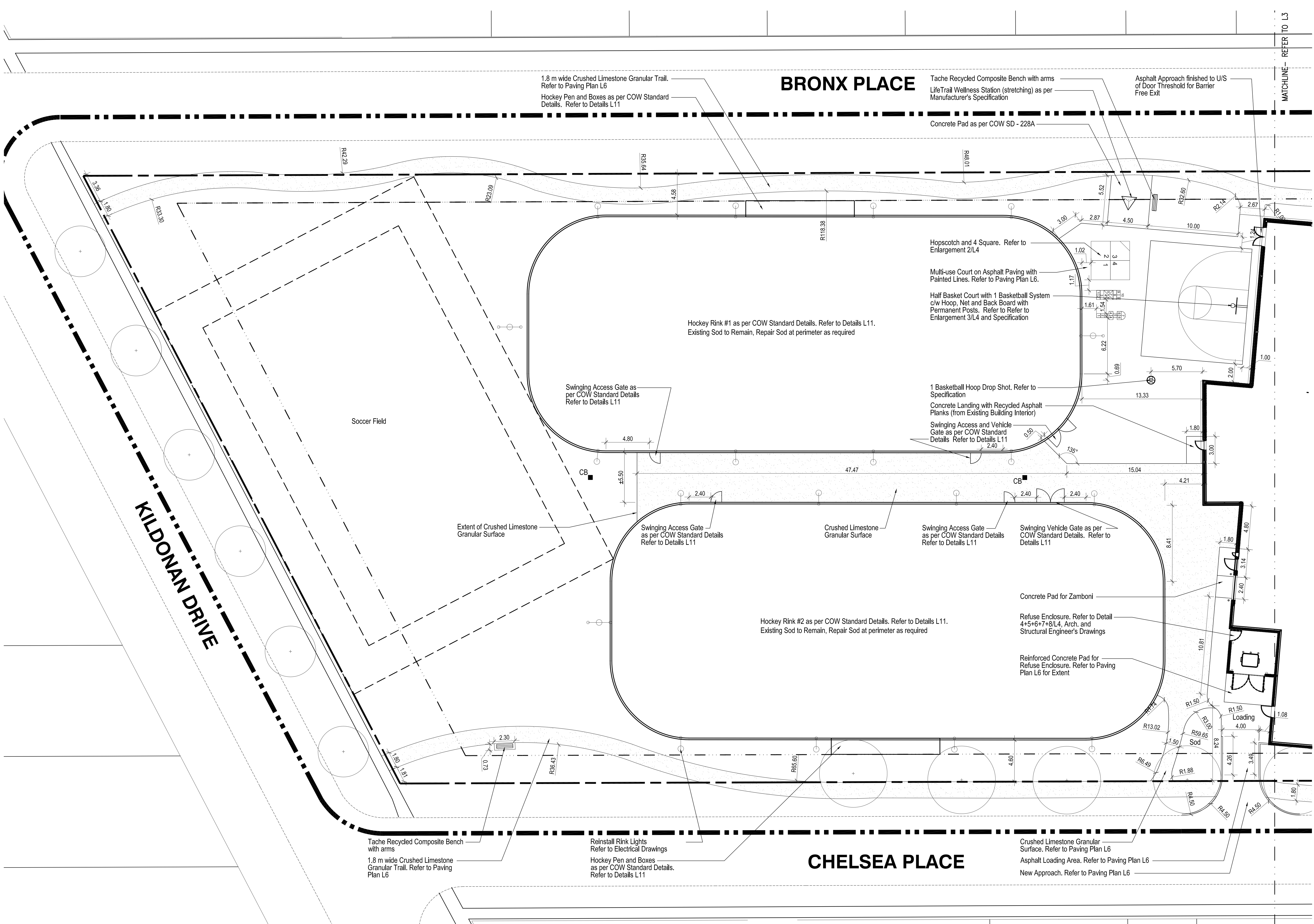
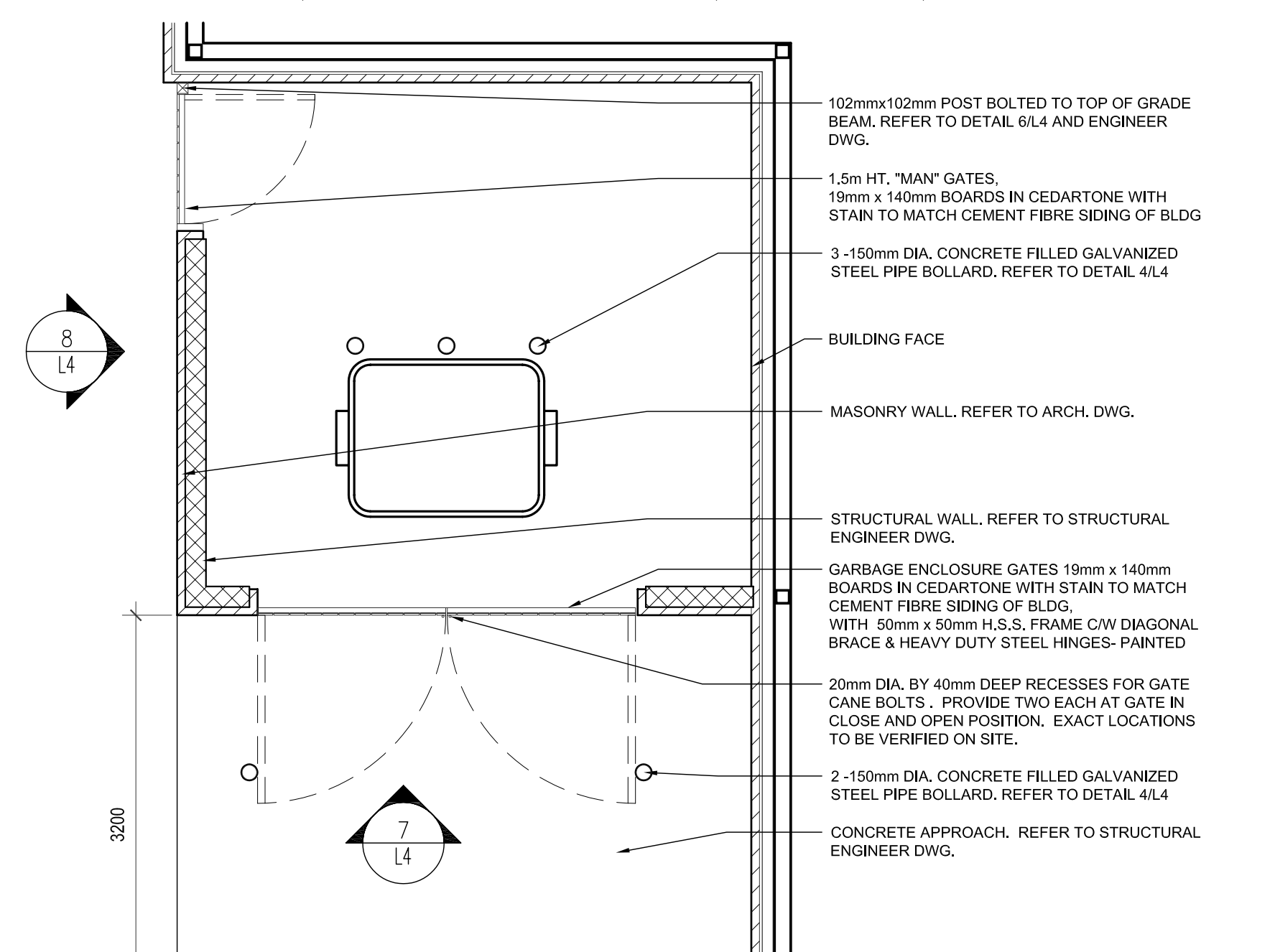
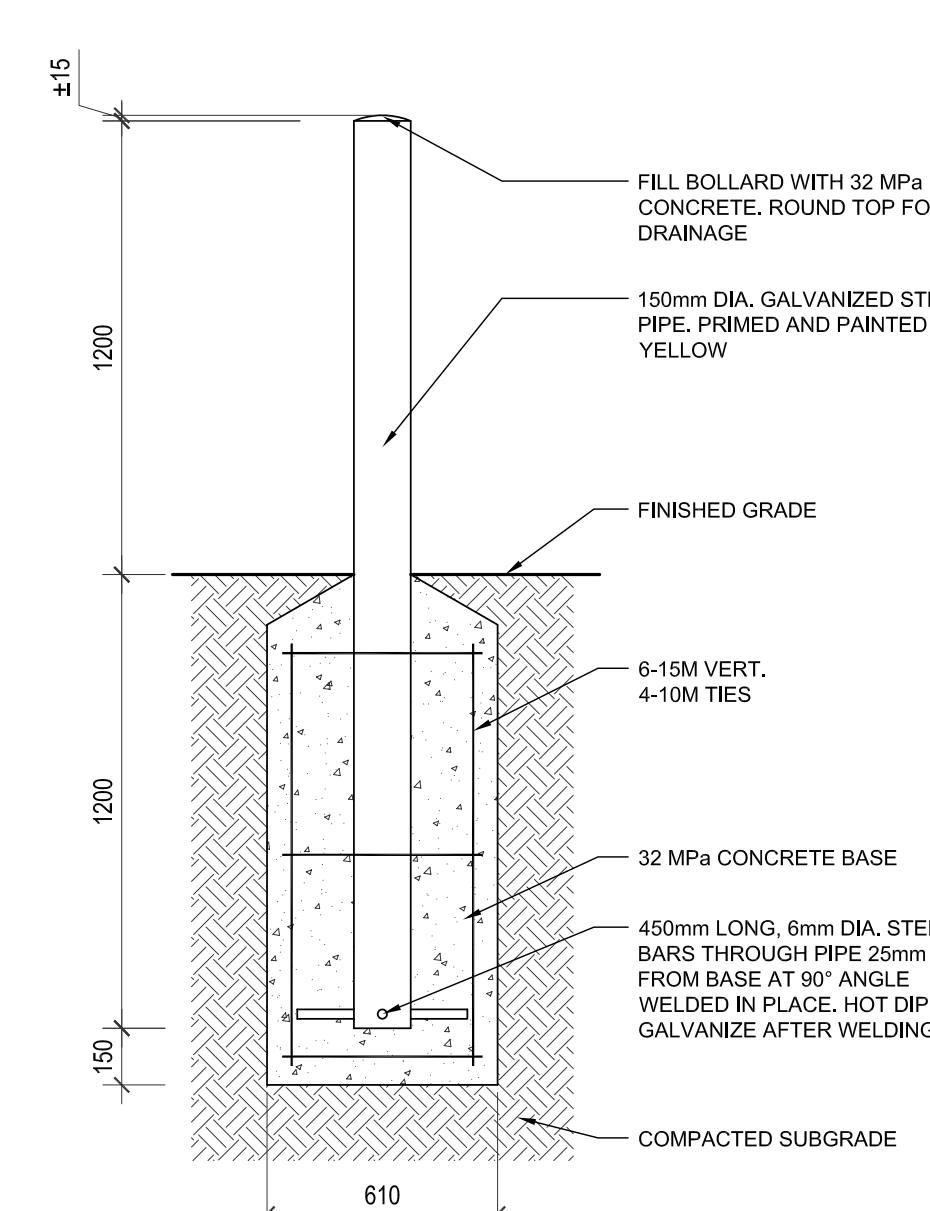
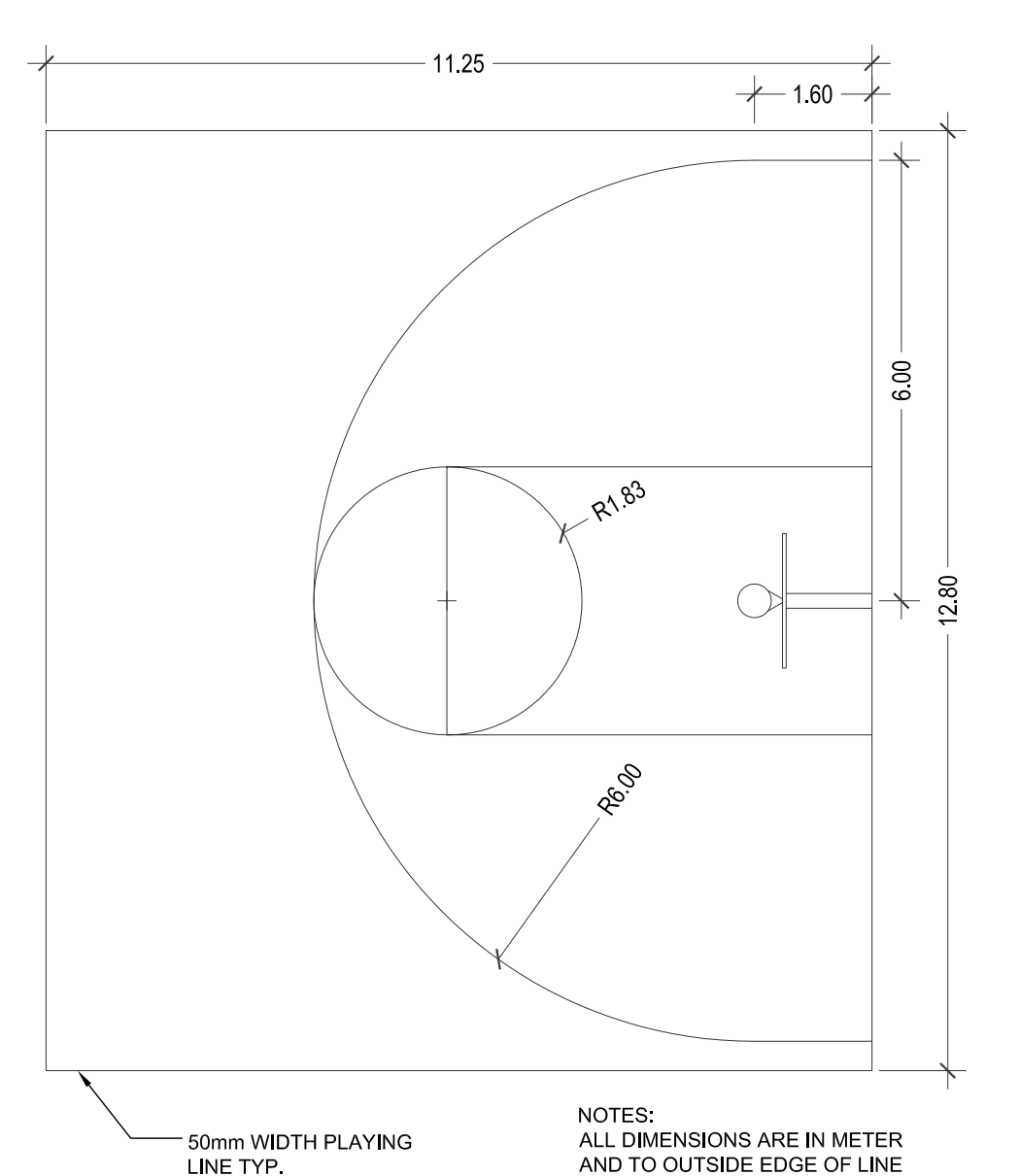
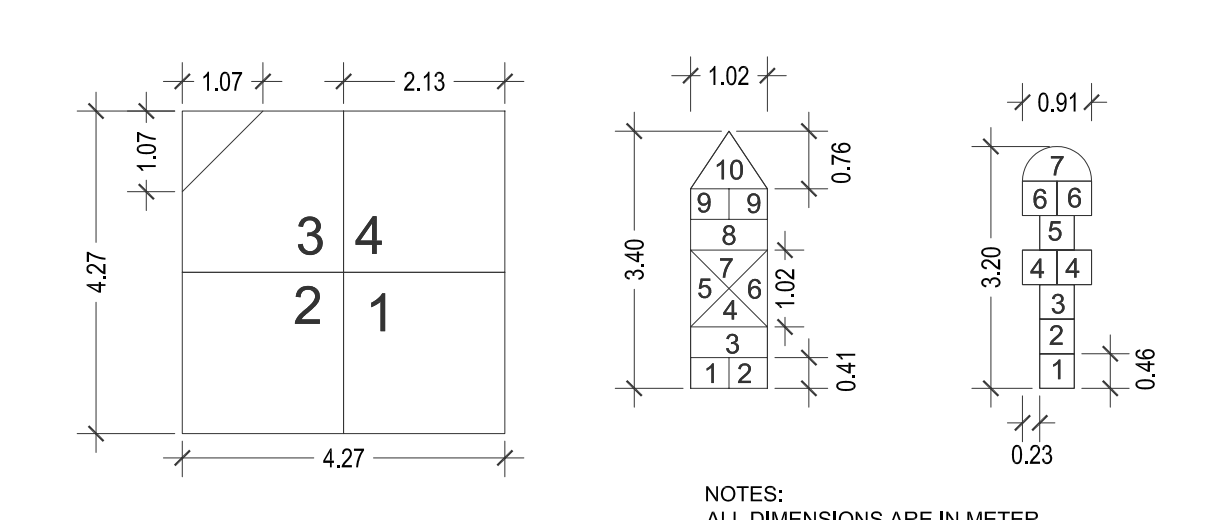
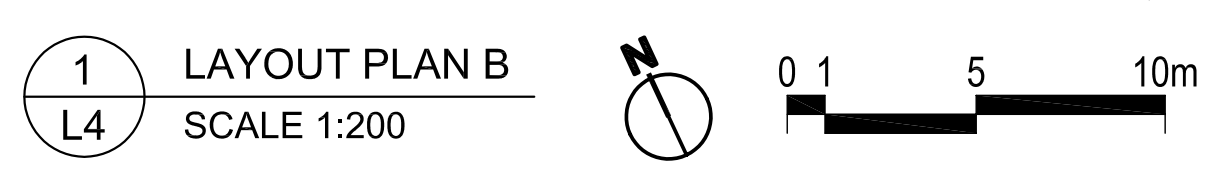
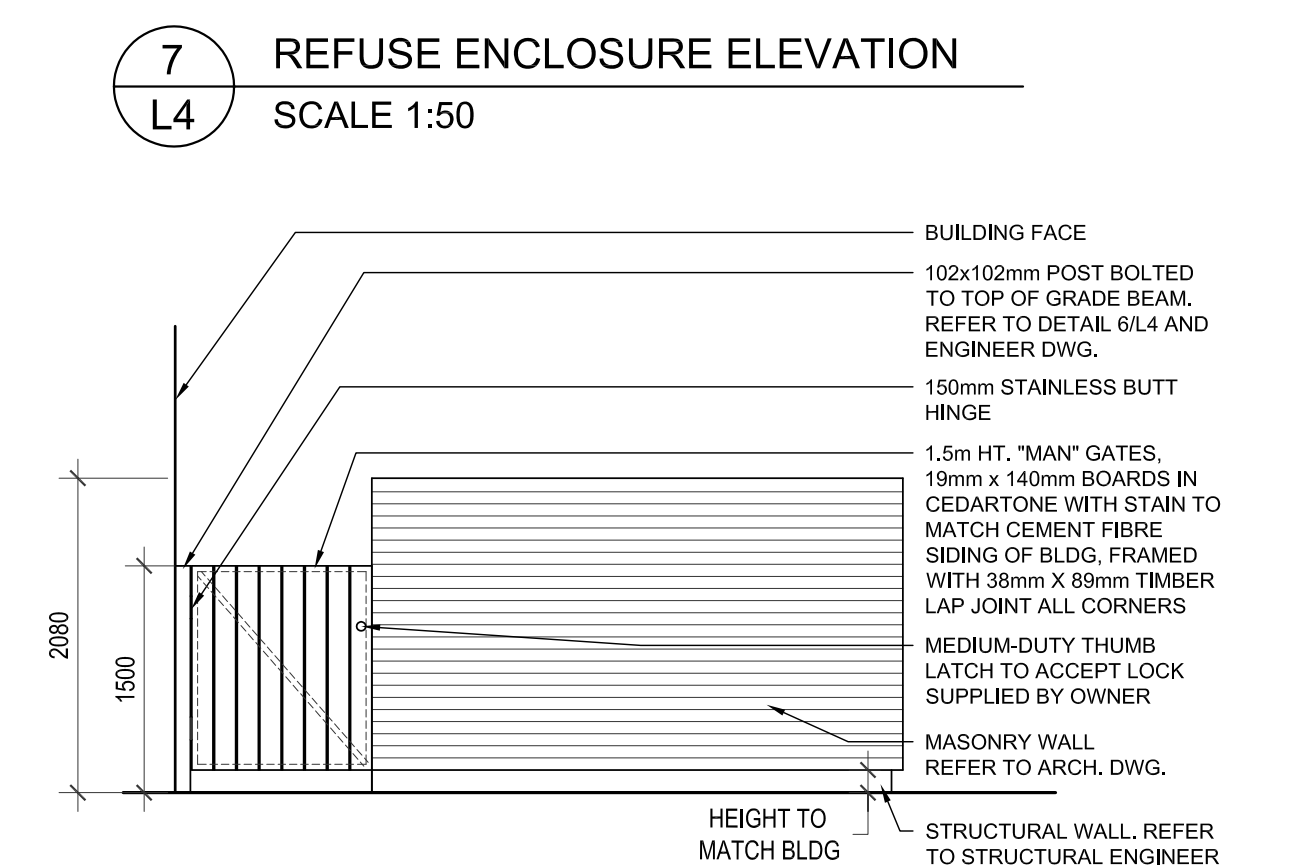
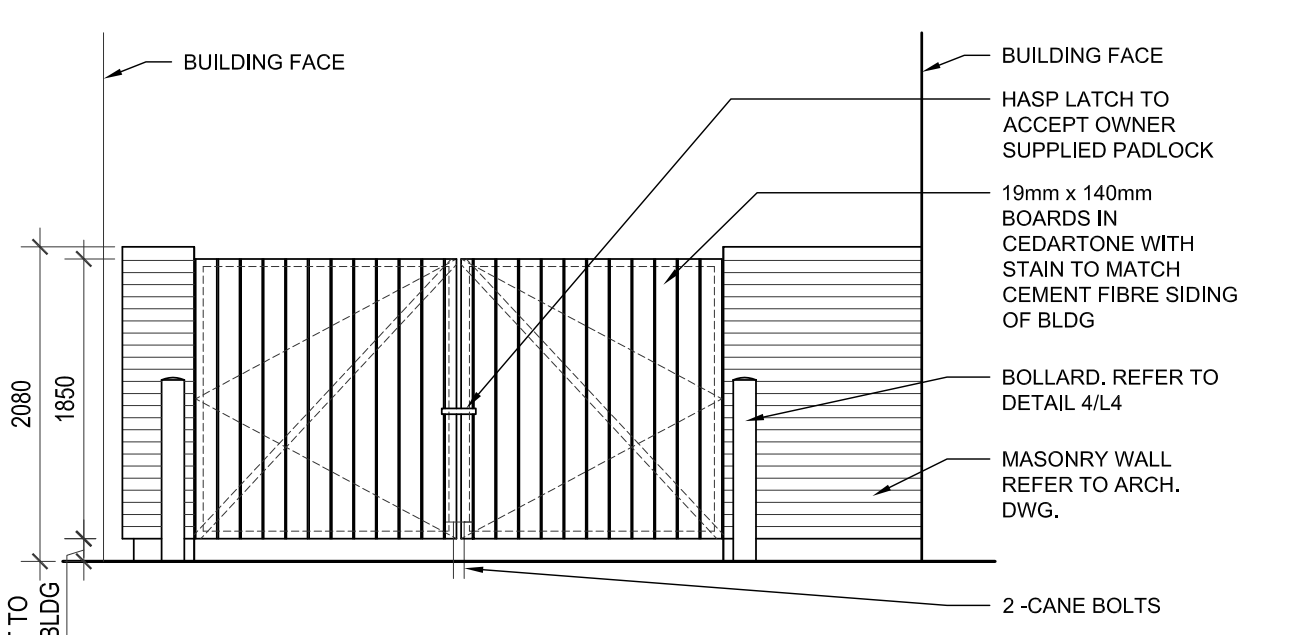
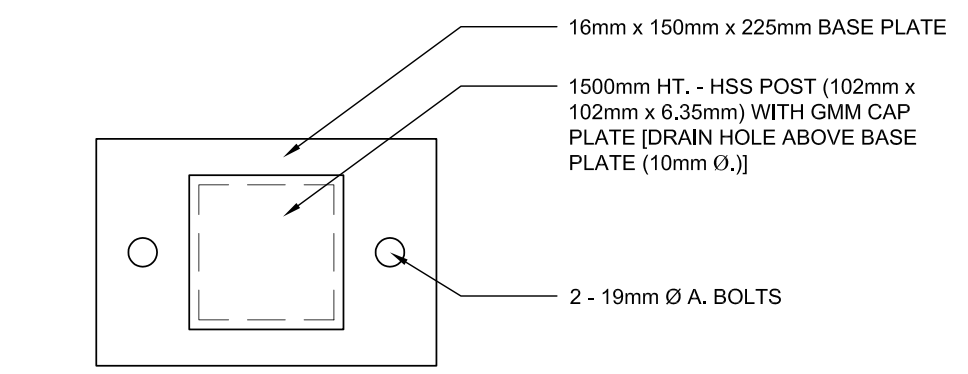


DATE: 18-JAN-2008 FILE NAME: 7026-Bronx-Tender.dwg  
 DESCRIPTION: LAYOUT-B  
 PROJECT No.: PPRD 2006-005  
 ADDRESS: WINNIPEG, MANITOBA



NOTES:  
 THIS DRAWING MUST NOT BE SCALED.  
 THE CONTRACTOR SHALL VERIFY ALL DIMENSIONS, DATUMS, AND LEVELS PRIOR TO COMMENCEMENT OF WORK. ALL ERRORS AND OMISSIONS TO BE REPORTED TO THE CONTRACT ADMINISTRATOR BEFORE PROCEEDING.  
 VARIATIONS AND MODIFICATIONS TO WORK SHOWN ON THESE DRAWINGS SHALL NOT BE CARRIED OUT WITHOUT WRITTEN PERMISSION OF THE CONTRACT ADMINISTRATOR.  
 THIS DRAWING IS THE EXCLUSIVE PROPERTY OF NUMBER TEN ARCHITECTURAL GROUP AND THE COPYRIGHT IN THE SAME BEING RESERVED TO THEM. IT MAY BE REPRODUCED ONLY WITH THE PERMISSION OF THE CITY OF WINNIPEG.

**CONFIDENTIAL  
 DO NOT COPY**



**SCATLIFF+MILLER+MURRAY**  
 landscape architecture urban design golf course design bridge architecture 3d simulation  
 Winnipeg BC 204 942 0981  
 Calgary Beijing 250 340 2106

**numberTEN architectural group**  
 architecture • interior design • graphic design  
 10

| NO. | REVISION/ISSUE/PLOTTED | DATE        |
|-----|------------------------|-------------|
| 1   | ISSUED FOR 40% REVIEW  | 28-OCT-2007 |
| 2   | ISSUED FOR 80% REVIEW  | 7-DEC-2007  |
| 3   | ISSUED FOR 100% REVIEW | 11-JAN-2008 |
| 4   | ISSUED FOR TENDER      | 18-JAN-2008 |
| 5   |                        |             |
| 6   |                        |             |

| NO. | REVISION/DESCRIPTION | BY | DATE |
|-----|----------------------|----|------|
|     |                      |    |      |

DRAWN BY: CD/IF CHECKED BY: DM APPROVED: DM  
 DATE: 18-JAN-2008 USER APPROVAL

**Winnipeg** CITY OF WINNIPEG PLANNING, PROPERTY AND DEVELOPMENT DEPARTMENT CIVIC ACCOMMODATIONS DIVISION  
 300 - 65 GARRY ST. R3C 4K4

PROJECT: **BRONX PARK COMMUNITY CENTRE HOME OF GOOD NEIGHBOURS SENIOR CENTRE**  
 WINNIPEG, MANITOBA

SHEET TITLE: **LAYOUT PLAN - B**

| SCALE    | PROJECT NO.   | SHEET NO. |
|----------|---------------|-----------|
| AS SHOWN | PPRD 2006-005 | L-4.0     |

DRAWING SHEET SIZE: ARCH E1 (42" x 30") PLOT 1:1