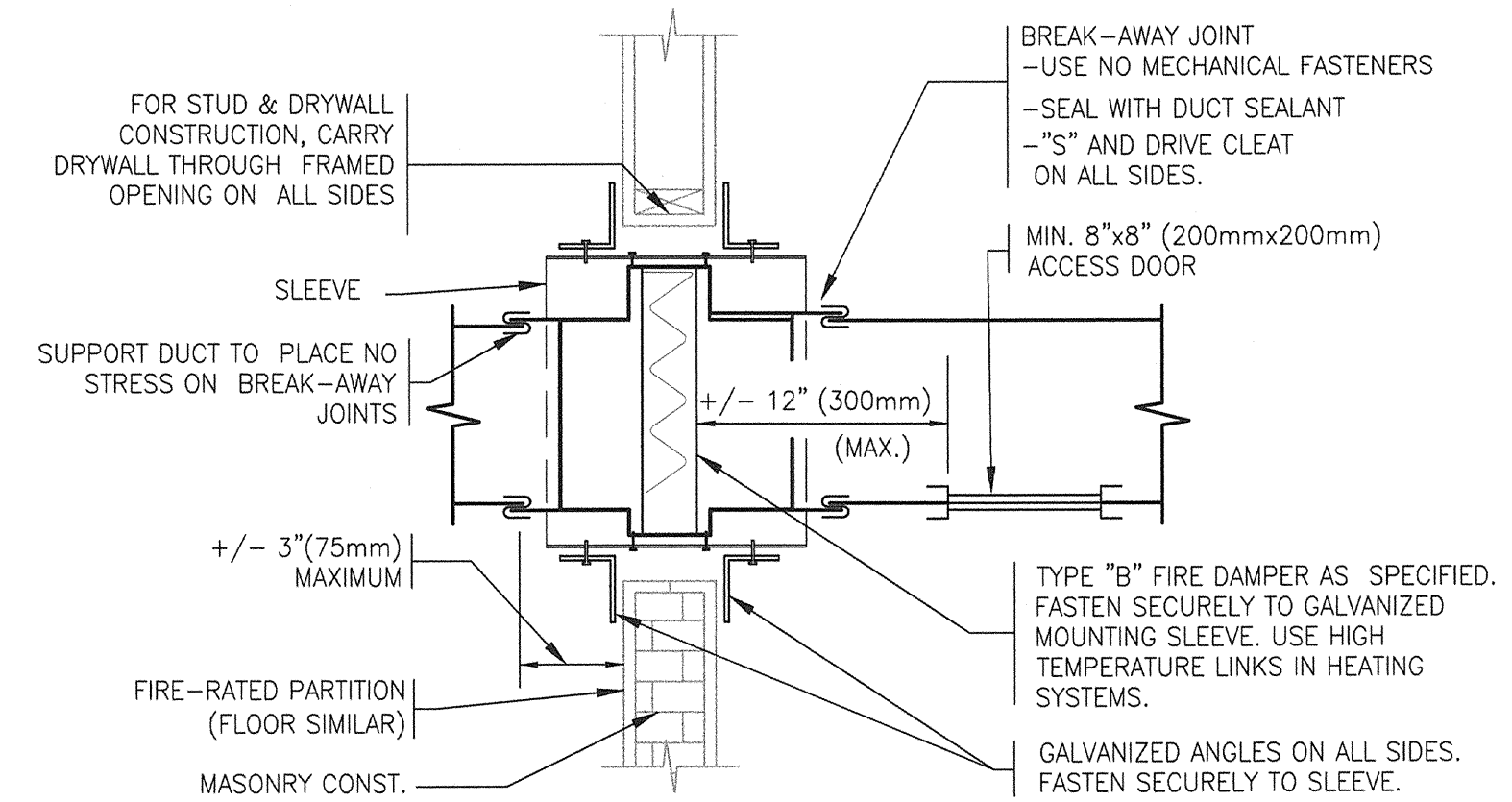
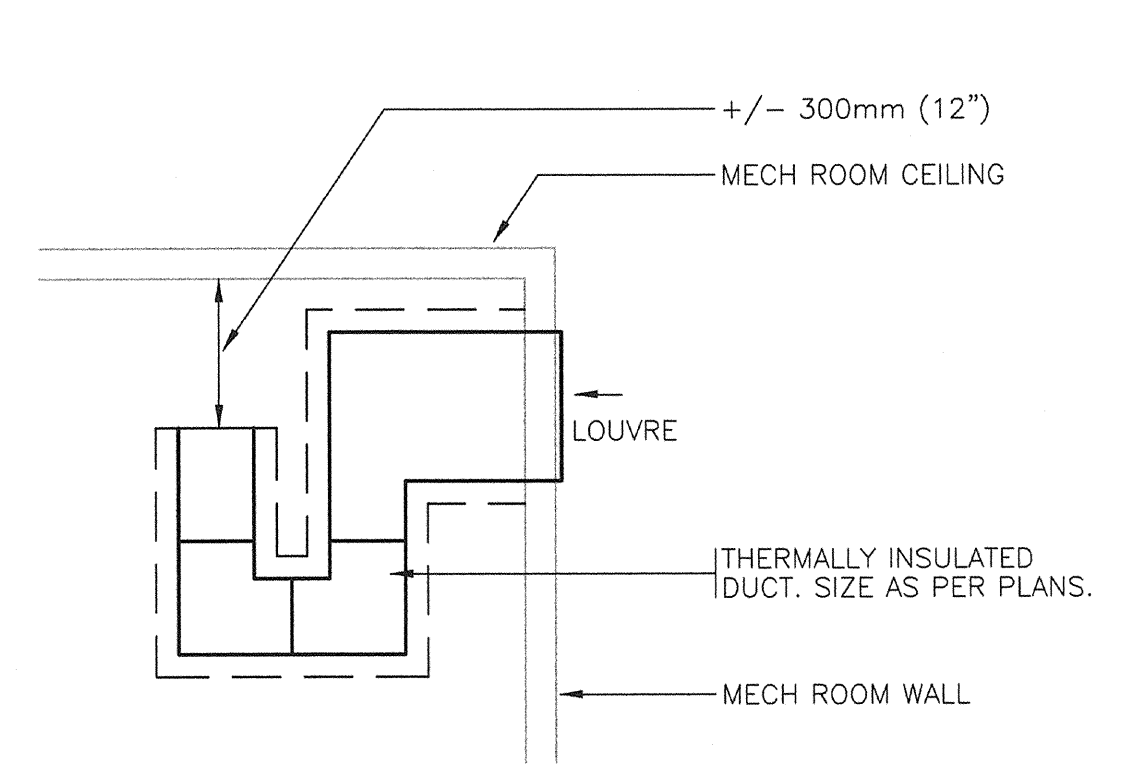


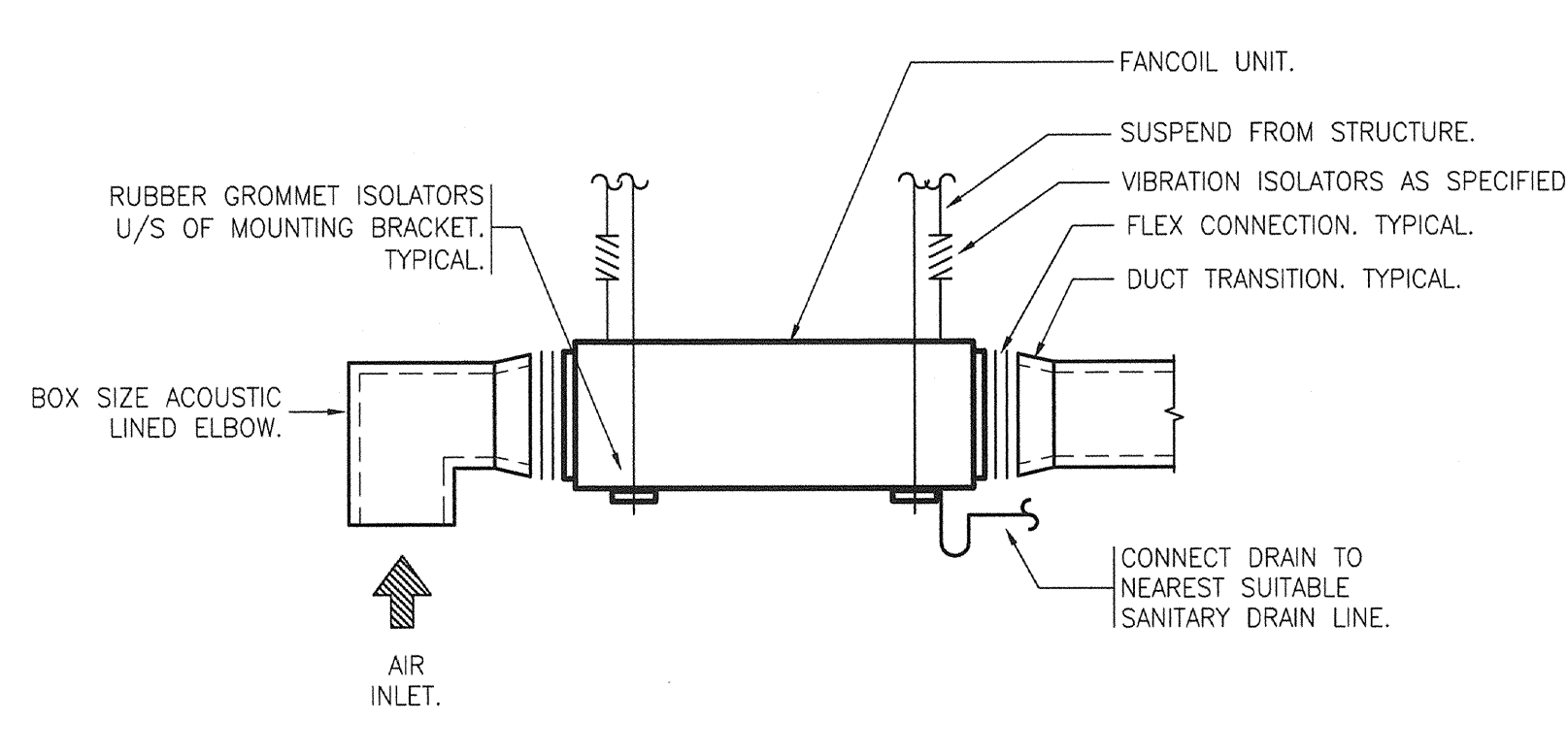
FILE NAME: 6190.M3.3.details.dwg  
 DATE: 2007.11.12  
 DESCRIPTION: MECHANICAL DETAILS  
 PROJECT No: PP&D 2006-065  
 ADDRESS: WINNIPEG, MANITOBA



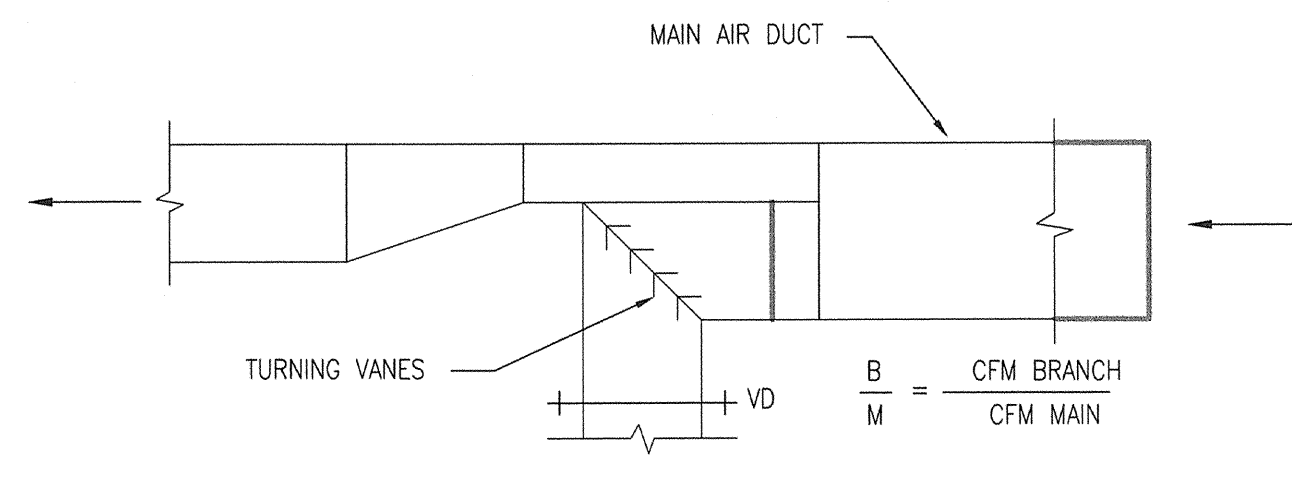
**STANDARD FIRE DAMPER INSTALLATION**  
 SCALE: N.T.S.



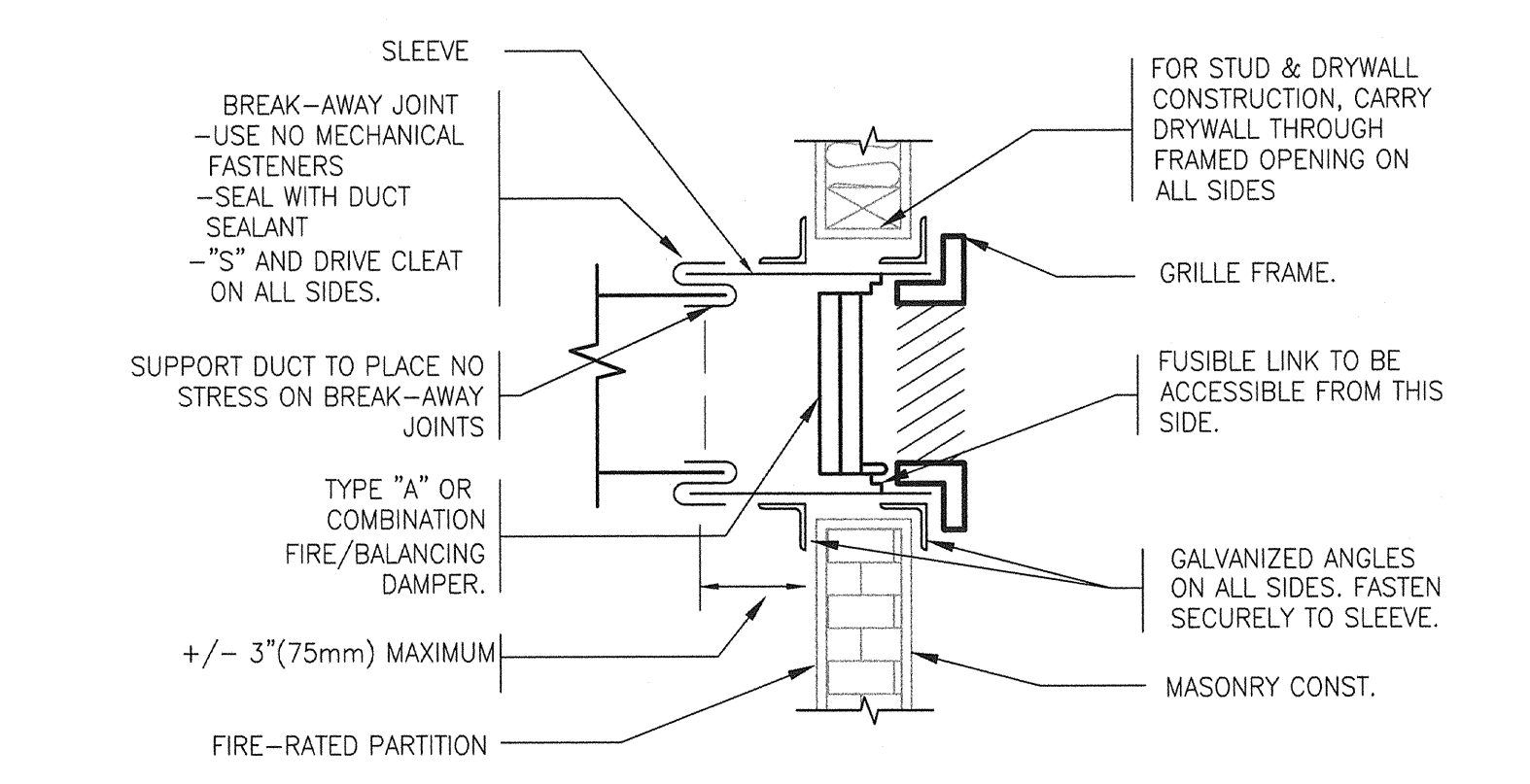
**DETAIL OF COMBUSTION AIR DUCT**  
 SCALE: N.T.S.



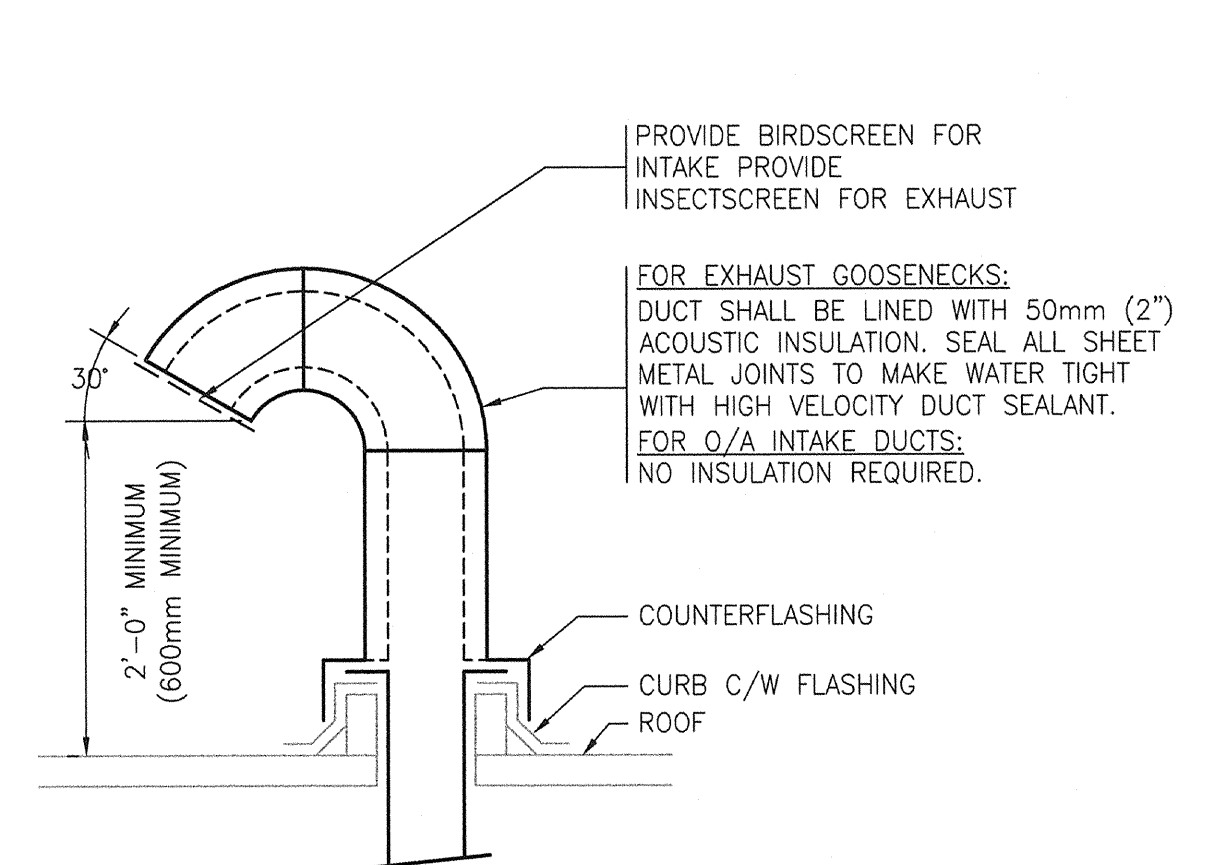
**FAN COIL UNIT DETAIL**  
 SCALE: N.T.S.



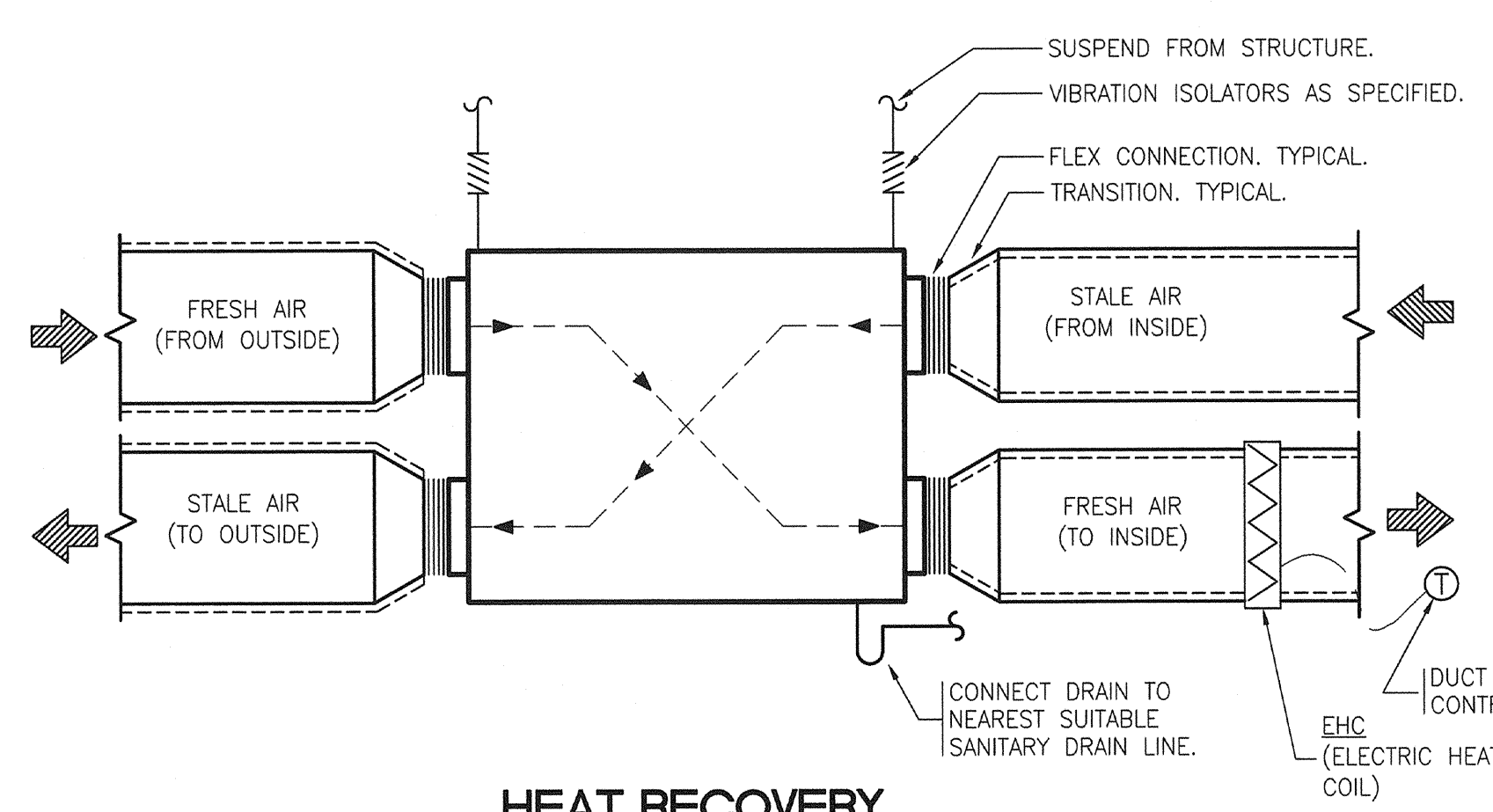
**SUPPLY AIR DUCT**  
 SCALE: N.T.S.



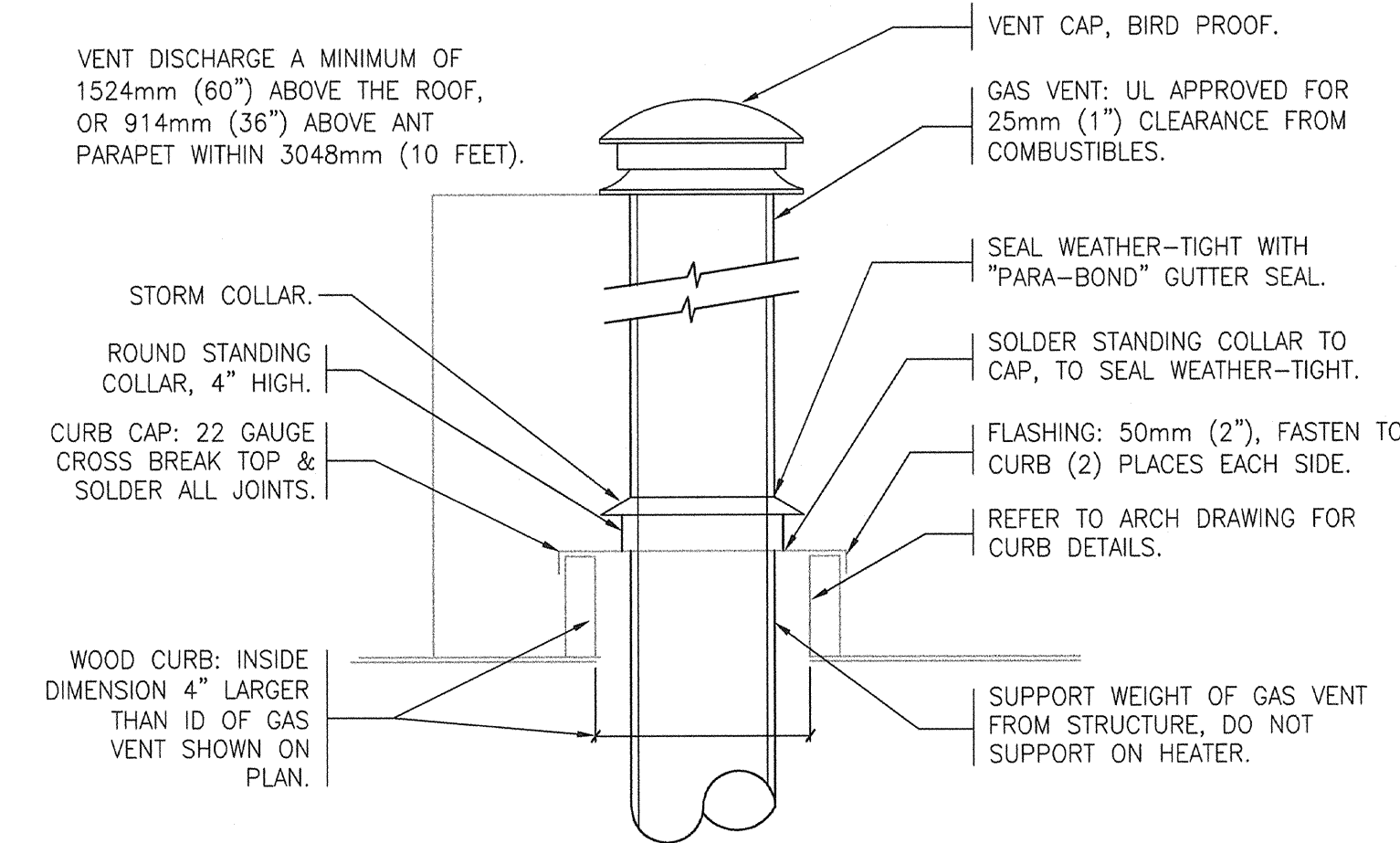
**GRILLE MOUNTED FIRE DAMPER INSTALLATION**  
 SCALE: N.T.S.



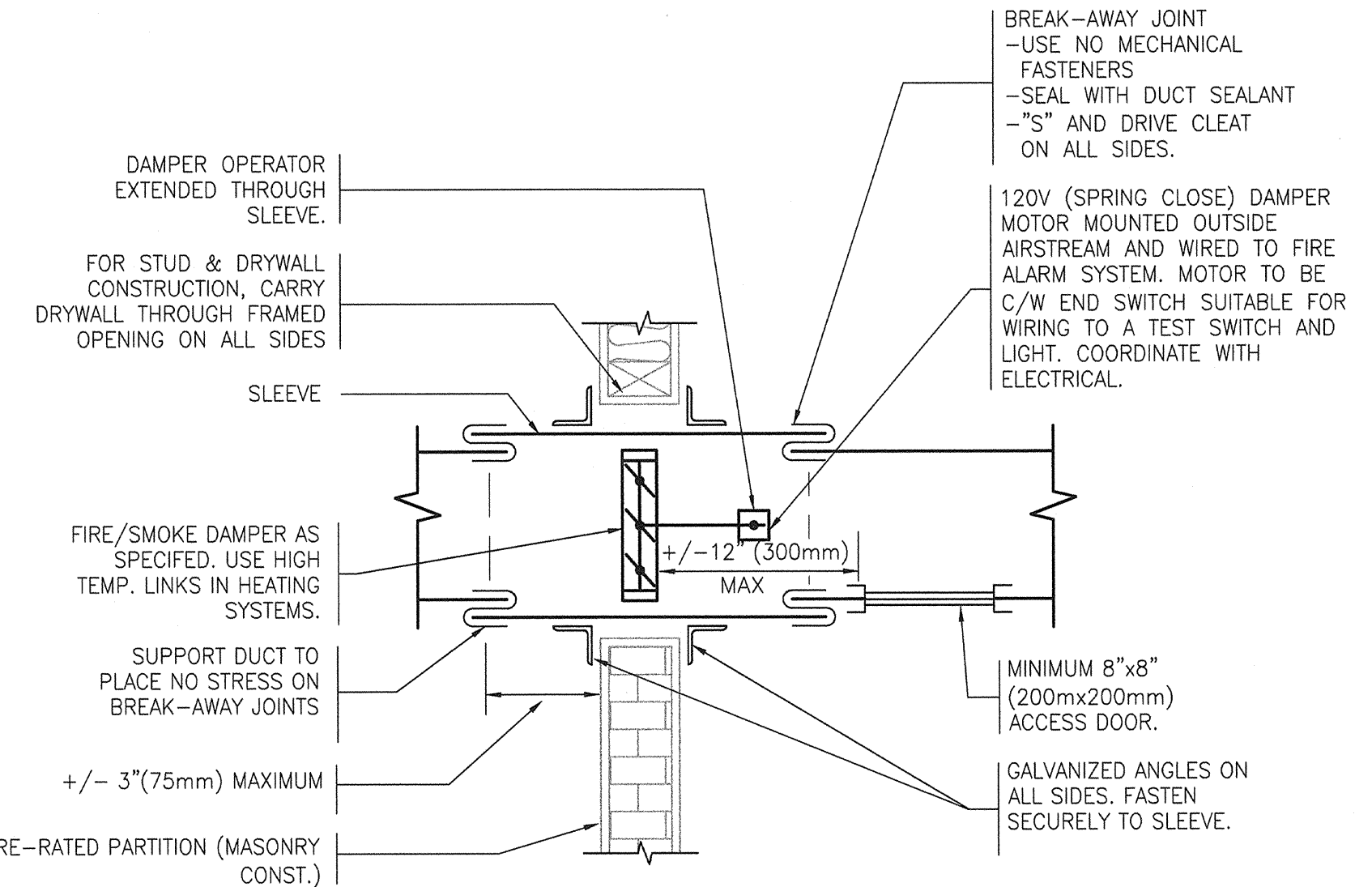
**GOOSENECK ON ROOF DETAIL**  
 SCALE: N.T.S.



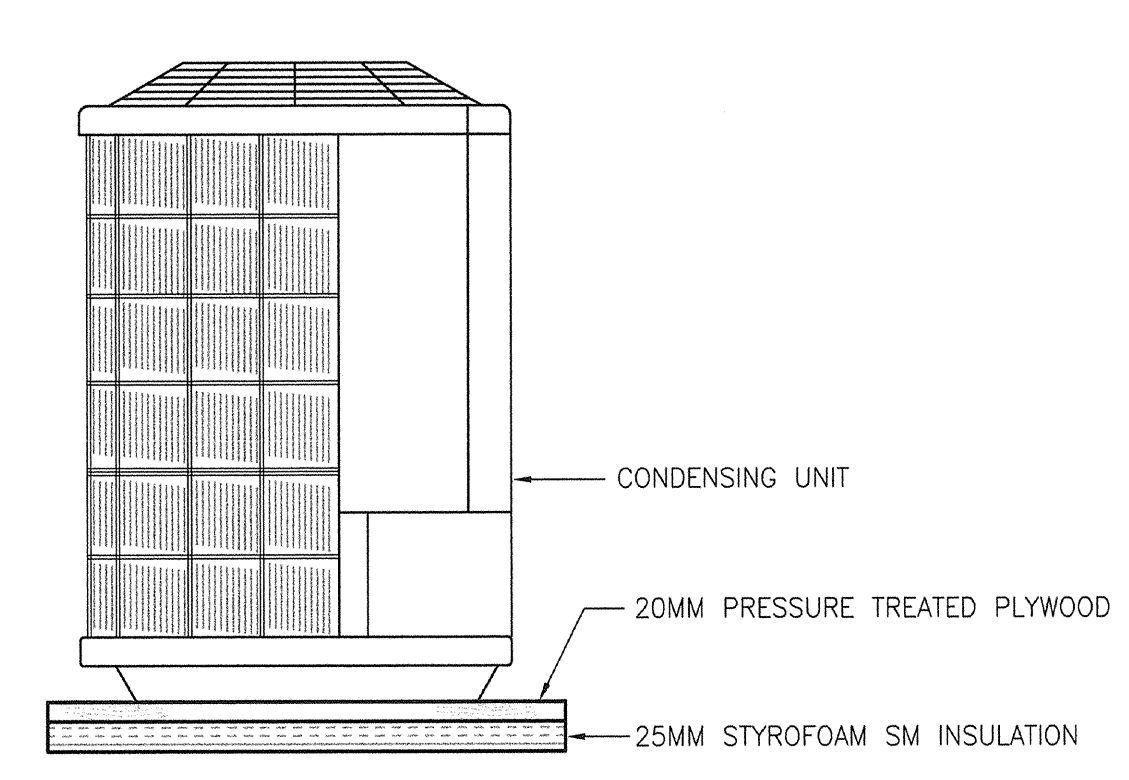
**HEAT RECOVERY VENTILATION (HRV) DETAIL**  
 SCALE: N.T.S.



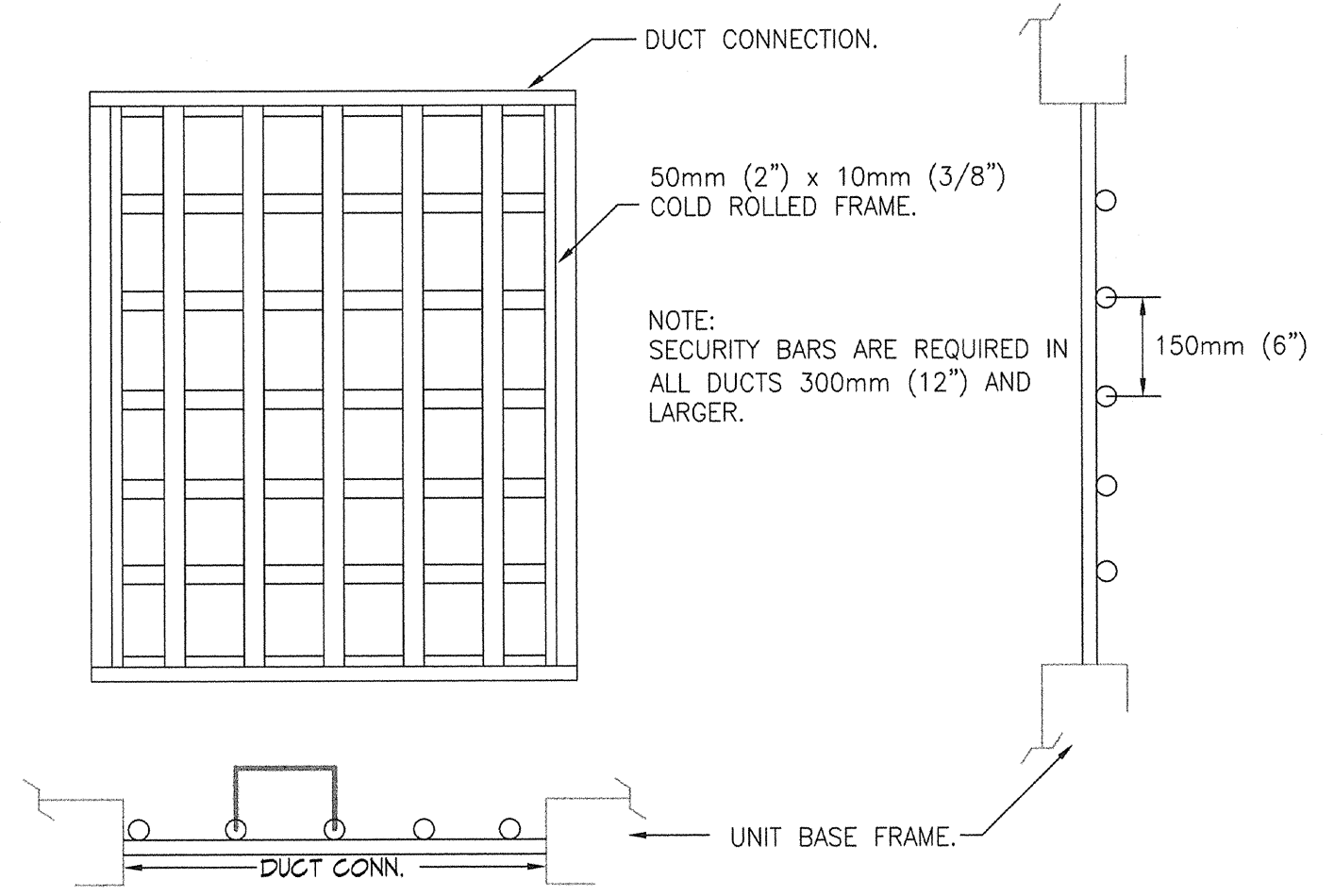
**TYPICAL GAS VENT DETAIL**  
 SCALE: N.T.S.



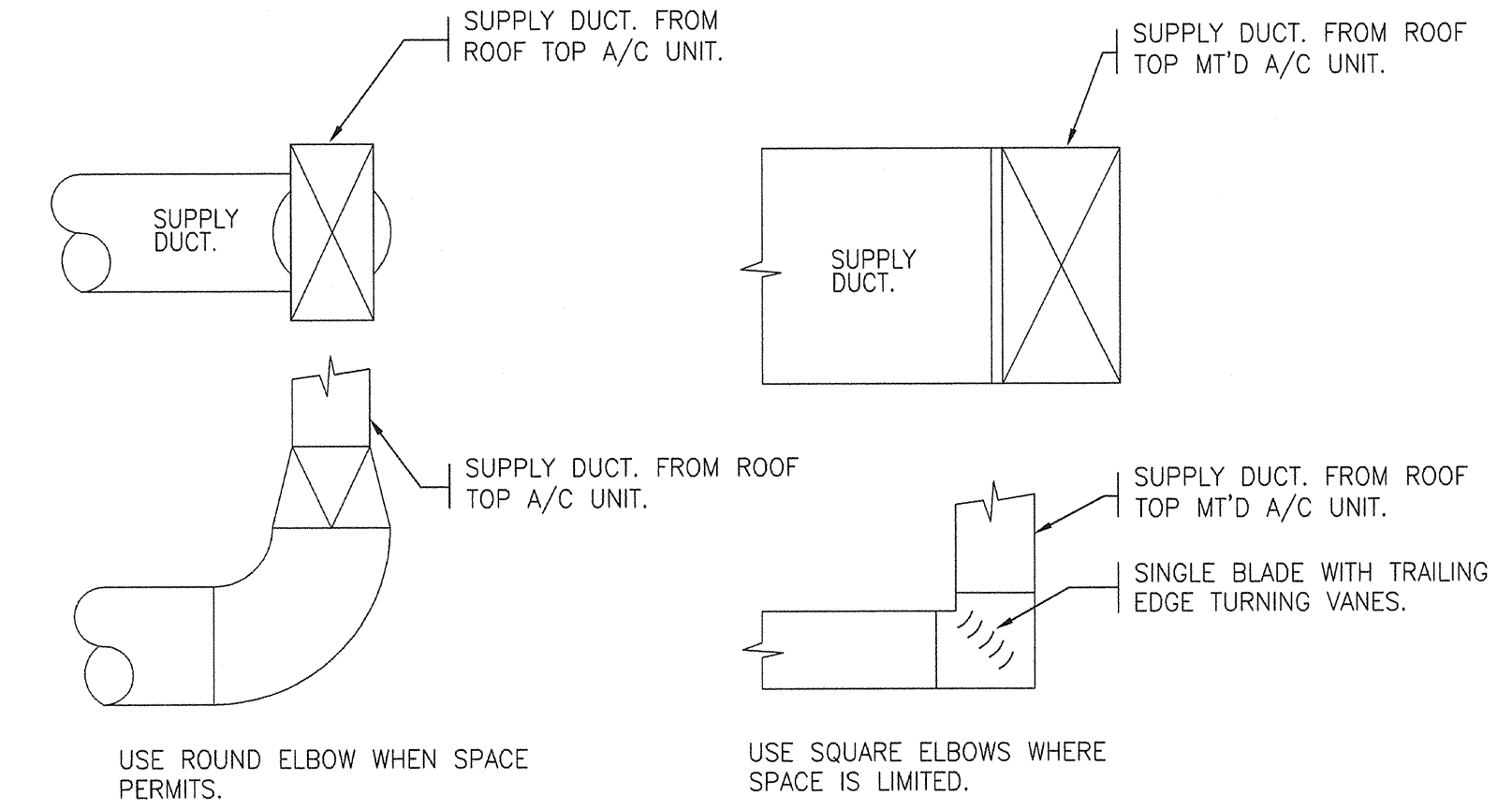
**FIRE/SMOKE DAMPER INSTALLATION**  
 SCALE: N.T.S.



**COMMON AREA CONDENSING UNIT SUPPORT DETAIL**  
 SCALE: N.T.S.



**SECURITY BAR ASSEMBLY**  
 SCALE: N.T.S.



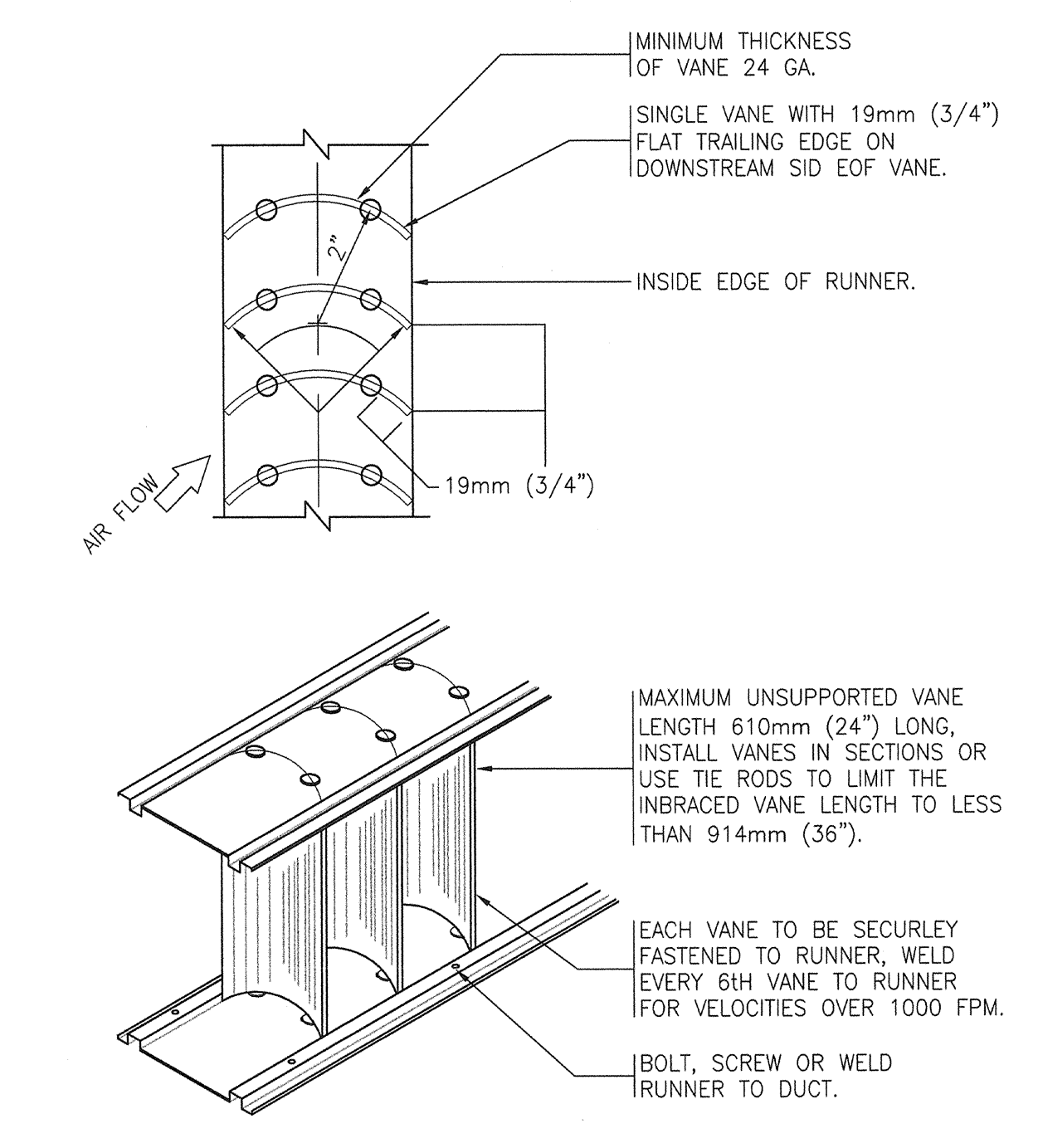
**DUCT TRANSITION DETAIL**  
 SCALE: N.T.S.

**GENERAL NOTES:**  
 -INSTALLATION MUST CONFORM TO LOCAL CODES AND MANUFACTURERS RECOMMENDATIONS  
 -VERTICAL DUCTS SIMILAR  
 -PROVIDE ACCESS THROUGH CEILINGS TO ACCESS DOORS FOR TESTING AND SERVICING OF FIRE DAMPERS.

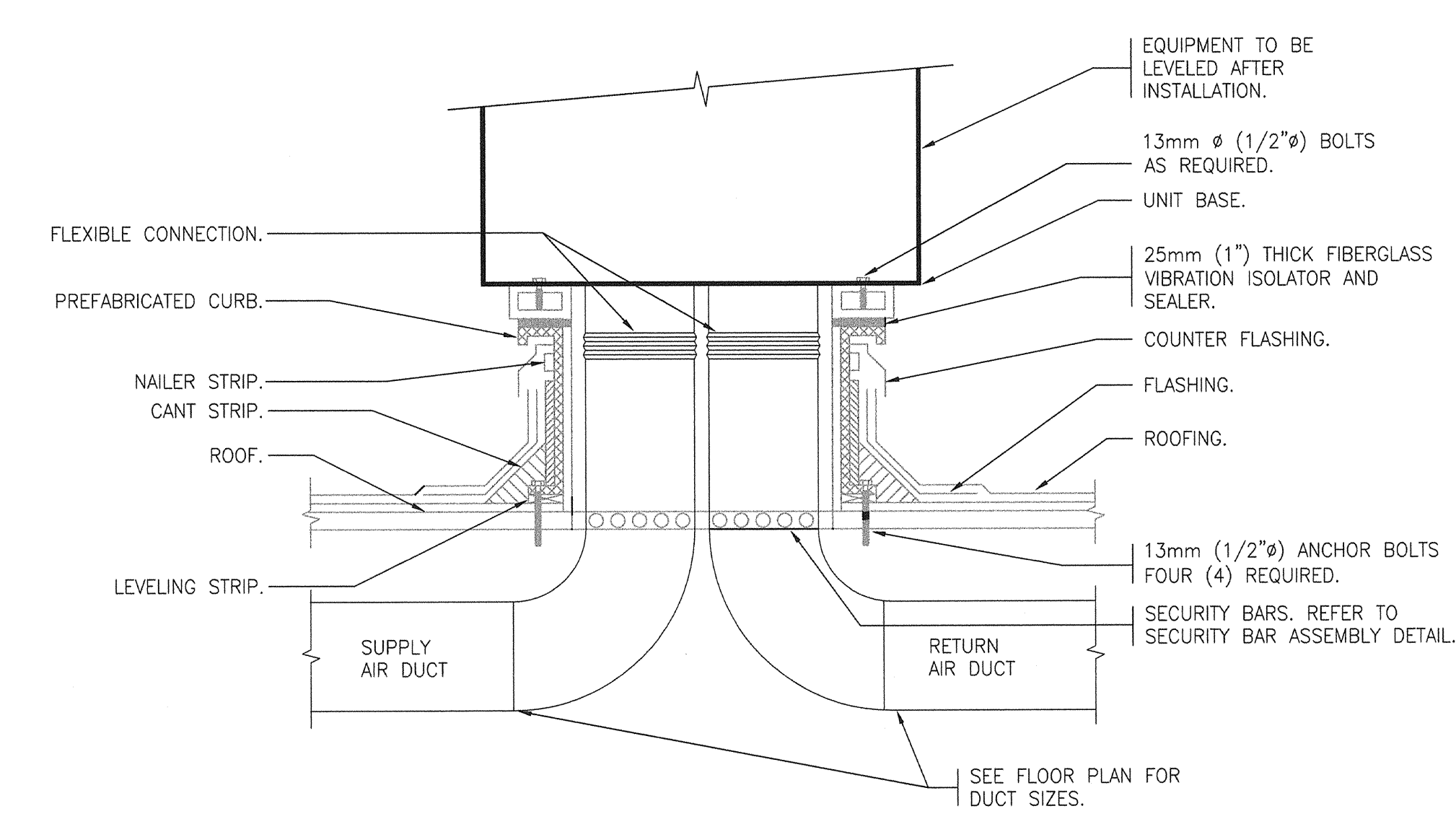
**ANGLES:**  
 -DAMPERS UNDER 48" (1200mm) W, OR 60" (1500mm) H, USE 1-1/2"x1-1/2" (38mmx38mm) x 16GA.  
 -DAMPERS OVER 48" (1200mm) W, OR 60" (1500mm) H, USE 1-1/2"x1-1/2"x1/8" (38mmx38mmx3mm)

**SLEEVES:**  
 SAME GAUGE AS DUCT. (MIN. 22ga GALV.)

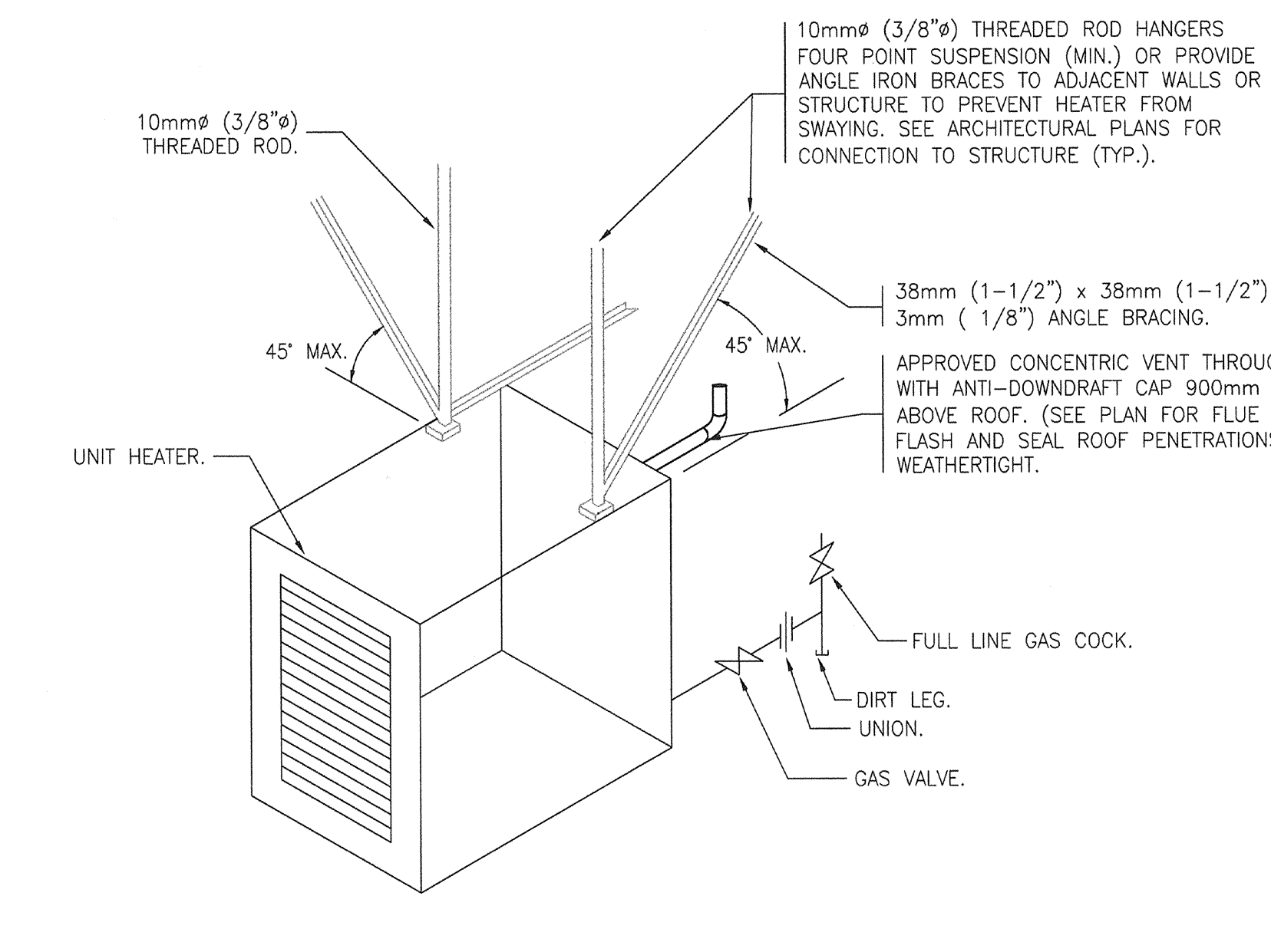
**FIRE DAMPER INSTALLATION DETAILS**  
 SCALE: N.T.S.



**PLUMBING CIRCULATING PUMP SCHEMATIC**  
 SCALE: N.T.S.



**AHU AND MUA MOUNTING AND DUCT PENETRATION DETAIL**  
 SCALE: N.T.S.



**UNIT HEATER INSTALLATION**  
 SCALE: N.T.S.

**NOTES:**  
 THIS DRAWING MUST NOT BE SCALED.  
 THE CONTRACTOR SHALL VERIFY ALL DIMENSIONS, DATINGS, AND LEVELS PRIOR TO COMMENCEMENT OF WORK. ALL ERRORS AND OMISSIONS TO BE REPORTED TO THE CONTRACT ADMINISTRATOR BEFORE PROCEEDING.  
 VARIATIONS AND MODIFICATIONS TO WORK SHOWN ON THESE DRAWINGS SHALL NOT BE CARRIED OUT WITHOUT WRITTEN PERMISSION OF THE CONTRACT ADMINISTRATOR.  
 THIS DRAWING IS THE EXCLUSIVE PROPERTY OF MEMBER TEN ARCHITECTURAL GROUP AND THE COPYRIGHT IN THE SAME BEING RESERVED TO THEM. IT MAY BE REPRODUCED ONLY WITH THE PERMISSION OF THE CITY OF WINNIPEG.

TOWER PROJECT NO.: 6150

**TOWER ENGINEERING GROUP**  
 208 - 837 CORTROUN AVE. WINNIPEG, MB R3M 0W7  
 TEL: (204) 925-1150 FAX: (204) 925-1155  
 EMAIL: towereng@towereng.ca WEB: www.towereng.ca

**numberTEN architectural group**  
 Winnipeg, MB 204 942-0981 Victoria, BC 250 260-2104

architecture • interior design • graphic design

| NO. | REVISION/ISSUED/PLOTTED       | DATE      |
|-----|-------------------------------|-----------|
| 1   | DESIGN DEVELOPMENT SUBMISSION | 31/AUG/07 |
| 2   | ISSUED FOR 40% REVIEW         | 28/OCT/07 |
| 3   | ISSUED FOR 80% REVIEW         | 07/DEC/07 |
| 4   | ISSUED FOR 100% REVIEW        | 11/JAN/08 |
| 5   | ISSUED FOR TENDER             | 18/JAN/08 |

NO. REVISION/DESCRIPTION BY DATE

SEALS

**PROVINCE OF MANITOBA**  
**J. ABIUSI**  
 REGISTERED PROFESSIONAL ENGINEER

**APECM**  
 Certificate of Authorization  
 Tower Engineering Group  
 No. 1918 Expiring: April 30, 2008

DRAWN BY: LR CHECKED BY: LR APPROVED  
 DATE: 2007.11.12 USER APPROVAL

**CITY OF WINNIPEG**  
 PLANNING, PROPERTY AND DEVELOPMENT DEPARTMENT  
 CIVIC ACCOMMODATIONS DIVISION  
 300 - 65 GARRY ST. R3C 4K4

PROJECT  
**BRONX PARK COMMUNITY CENTRE**  
**HOME OF GOOD NEIGHBOURS SENIOR CENTRE**  
 WINNIPEG, MB

SHEET TITLE  
**MECHANICAL VENTILATION**  
**DETAILS & SCHEMATICS**

SCALE AS SHOWN PROJECT NO. PP&D 2006-065 SHEET NO. M-3.3  
 DRAWING SHEET SIZE: ARCH E1 (42" x 30") PLOT 1:1