

PILE DESIGNATION	
●	PILE MARK/PILE LENGTH
○	T/O PILE ELEV.

T/O PILE SCHEDULE	
MARK	ELEVATION
E1	EL. 99.700
E2	EL. 99.070
E3	EL. 99.295
E4	EL. 98.995
E5	EL. 99.050

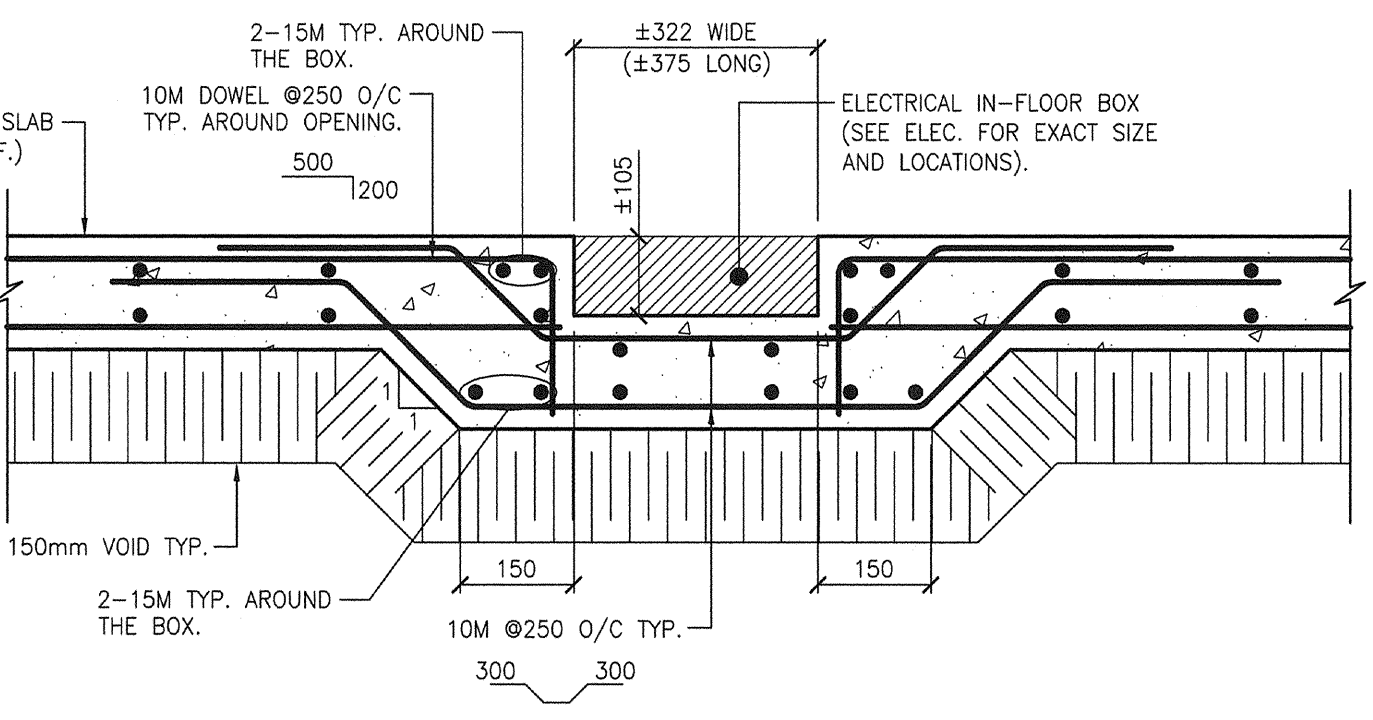
PILE SCHEDULE			
MARK	PILE #	PILE LENGTH	REINFORCEMENT
P1	400mm	SEE PLAN	5-15M VERTICAL, 10M RINGS ϕ 300 O/C
P2	450mm	SEE PLAN	7-15M VERTICAL, 10M RINGS ϕ 300 O/C

NOTES:
 - REFER TO PLAN AND T/O PILE SCHEDULE FOR T/O PILE ELEVATIONS.
 - REINFORCEMENT TO BE TOP 750mm (2'5"-0") OF PILE.
 - ADD 2 RINGS IN TOP 600mm OF PILE.
 - EXTEND PILE REINFORCEMENT MIN. 450mm INTO GRADE BEAMS AND PILE CAPS TYP.
 - PROVIDE CASING AS REQUIRED TO CONTROL SLOUGHING AND WATER SEEPAGE.
 - DESIGN SKIN FRICTION AS PER GEOTECHNICAL REPORT. (SEE TABLE BELOW):

PILE LENGTH, m	AVG. FRICTION VALUE (kPa)	PILE LENGTH, m	FRICTION VALUE (kPa)
7.6m (25'-0")	19.1 kPa (400.0 psf)	TO 9.1m (TO 30')	19.1 kPa (400 psf)
9.1m (30'-0")	19.1 kPa (400.0 psf)	9.1m-10.7m (30'-35')	9.2 kPa (192 psf)
10.7m (35'-0")	16.8 kPa (346.6 psf)	10.7m-15.2m (35'-50')	8.0 kPa (167 psf)
12.2m (40'-0")	15.2 kPa (316.6 psf)		
13.7m (45'-0")	14.1 kPa (295.2 psf)		
15.2m (50'-0")	14.0 kPa (293.0 psf)		

GRADE BEAM SCHEDULE					
MARK	GB1	GB2	GB3	GB4	GB5
SIZE	250x750	250x750	250x750	250x600	250x750
REINFORCEMENT	2-20M TOP 2-20M BOT. 10M STIRRUPS ϕ 300mm O/C.	2-20M TOP 2-25M BOT. 10M STIRRUPS ϕ 300mm O/C.	2-15M TOP 3-25M BOT. 10M STIRRUPS ϕ 300mm O/C.	2-15M TOP 2-15M BOT. 10M STIRRUPS ϕ 300mm O/C.	2-20M TOP 2-20M BOT. 10M STIRRUPS ϕ 300mm O/C.
SECTION					
INTERMEDIATE	-	-	-	-	-

NOTES:
 - T/O GRADE BEAM ELEV. = 99.820mm TYP. U.N.D.
 - T/O GRADE BEAM ELEV. = 99.800mm FOR GRADE BEAM MARK "GB5".
 - SEE PLAN FOR ADDITIONAL REINFORCEMENT.



NOTES:
 THIS DRAWING MUST NOT BE SOLED.
 THE CONTRACTOR SHALL VERIFY ALL DIMENSIONS, DATUMS, AND LEVELS PRIOR TO COMMENCEMENT OF WORK. ALL ERRORS AND OMISSIONS TO BE REPORTED TO THE CONTRACT ADMINISTRATOR BEFORE PROCEEDING.
 VARIATIONS AND MODIFICATIONS TO WORK SHOWN ON THESE DRAWINGS SHALL NOT BE CARRIED OUT WITHOUT WRITTEN PERMISSION OF THE CONTRACT ADMINISTRATOR.
 THIS DRAWING IS THE EXCLUSIVE PROPERTY OF NUMBER TEN ARCHITECTURAL GROUP AND THE COPYRIGHT IN THE SAME REMAINS RESERVED TO THEM. IT MAY BE REPRODUCED ONLY WITH THE PERMISSION OF THE CITY OF WINNIPEG.

TOWER PROJECT NO. : 6150

TOWER ENGINEERING GROUP
 TOWER ENGINEERING GROUP
 208 - 887 CORCORAN AVE. WINNIPEG, MB. R3M 0N7
 TEL: (204) 925-1150 FAX: (204) 925-1155
 EMAIL: towereng@towereng.ca WEB: www.towereng.ca

numberTEN architectural group
 architecture • interior design • graphic design

NO.	REVISED/ISSUED/PLOTTED	DATE
1	DESIGN DEVELOPMENT SUBMISSION	31/AUG/07
2	ISSUED FOR 40% REVIEW	26/OCT/07
3	ISSUED FOR 80% REVIEW	07/DEC/07
4	ISSUED FOR 100% REVIEW	11/JAN/08
5	ISSUED FOR TENDER	18/JAN/08

NO.	REVISION/DESCRIPTION	BY	DATE

SEALS

PROVINCE OF MANITOBA
 G. SCHAUB
 5/20/10/08
 REGISTERED ENGINEER

APEGM
 Certificate of Authorization
 Tower Engineering Group
 No. 1918. Expiry: April 30, 2008

DRAWN BY: NB CHECKED BY: DH APPROVED: [Signature]
 DATE: 2007.08.31 USER APPROVAL: [Signature]

CITY OF WINNIPEG
 PLANNING, PROPERTY AND
 DEVELOPMENT DEPARTMENT
 CIVIC ACCOMMODATIONS DIVISION
 300 - 65 GARRY ST. R3C 4K4

PROJECT
 BRONX PARK COMMUNITY CENTRE
 HOME OF
 GOOD NEIGHBOURS SENIOR CENTRE
 WINNIPEG, MB.
 SHEET TITLE
 FOUNDATION PLAN