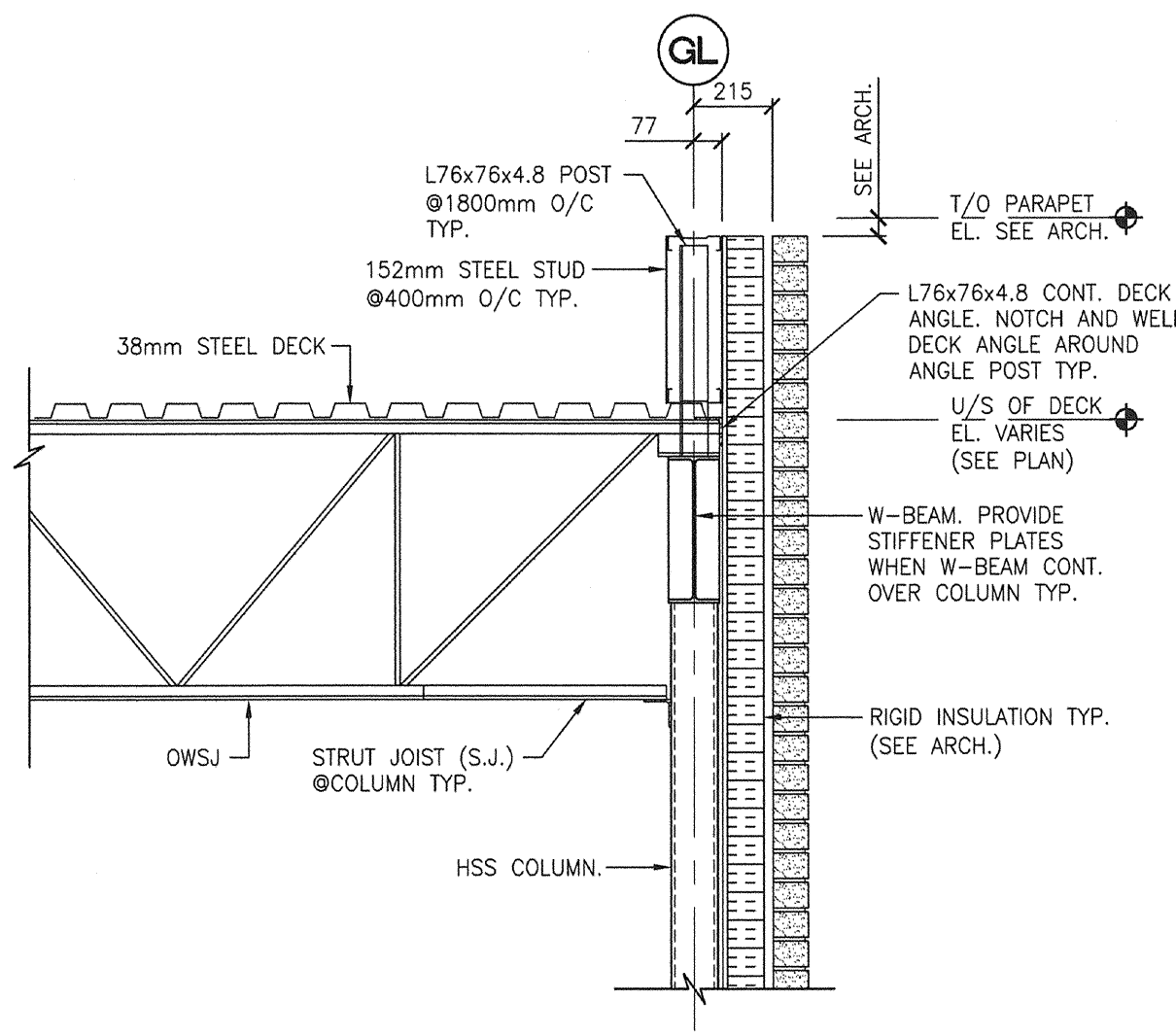
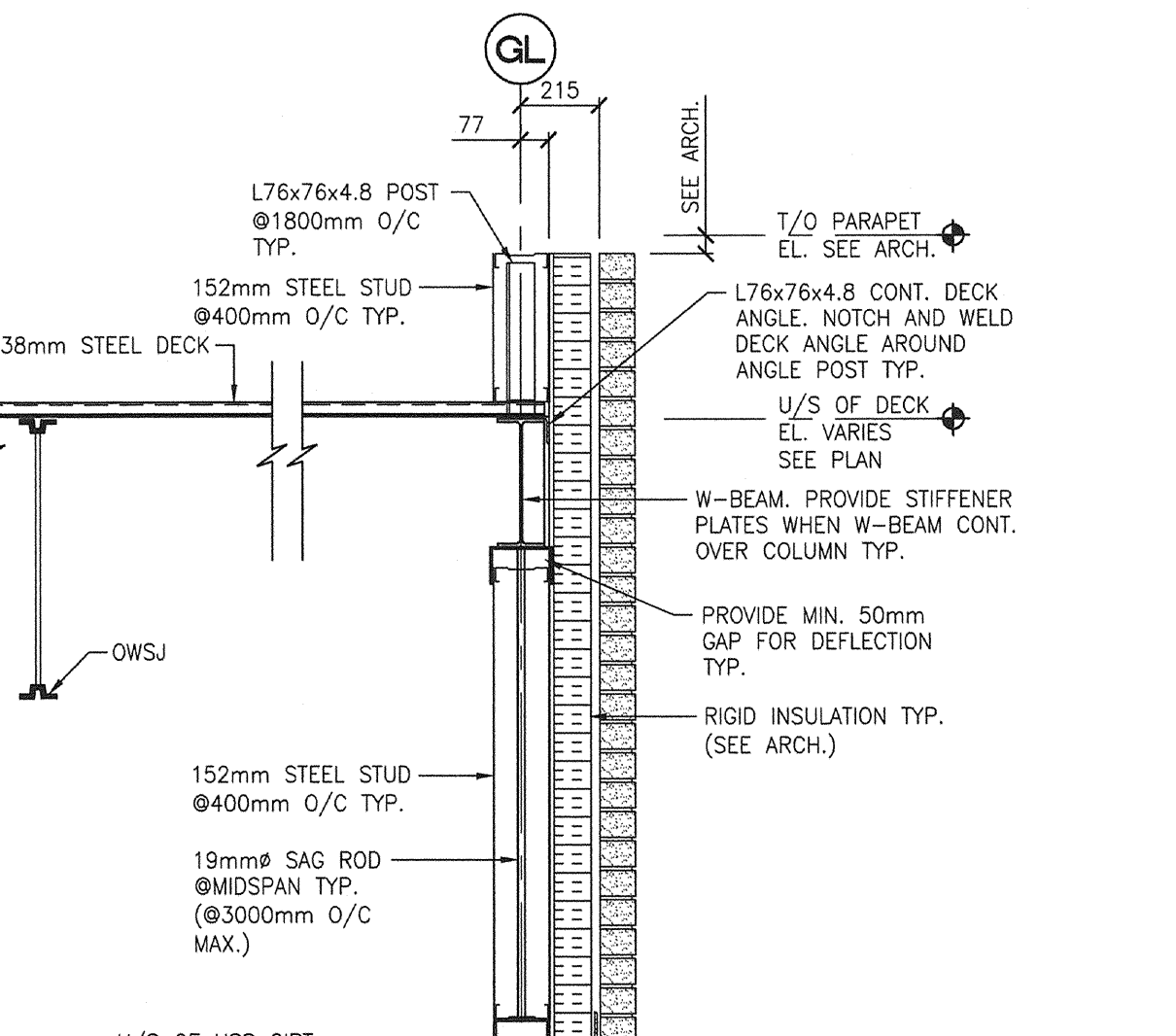


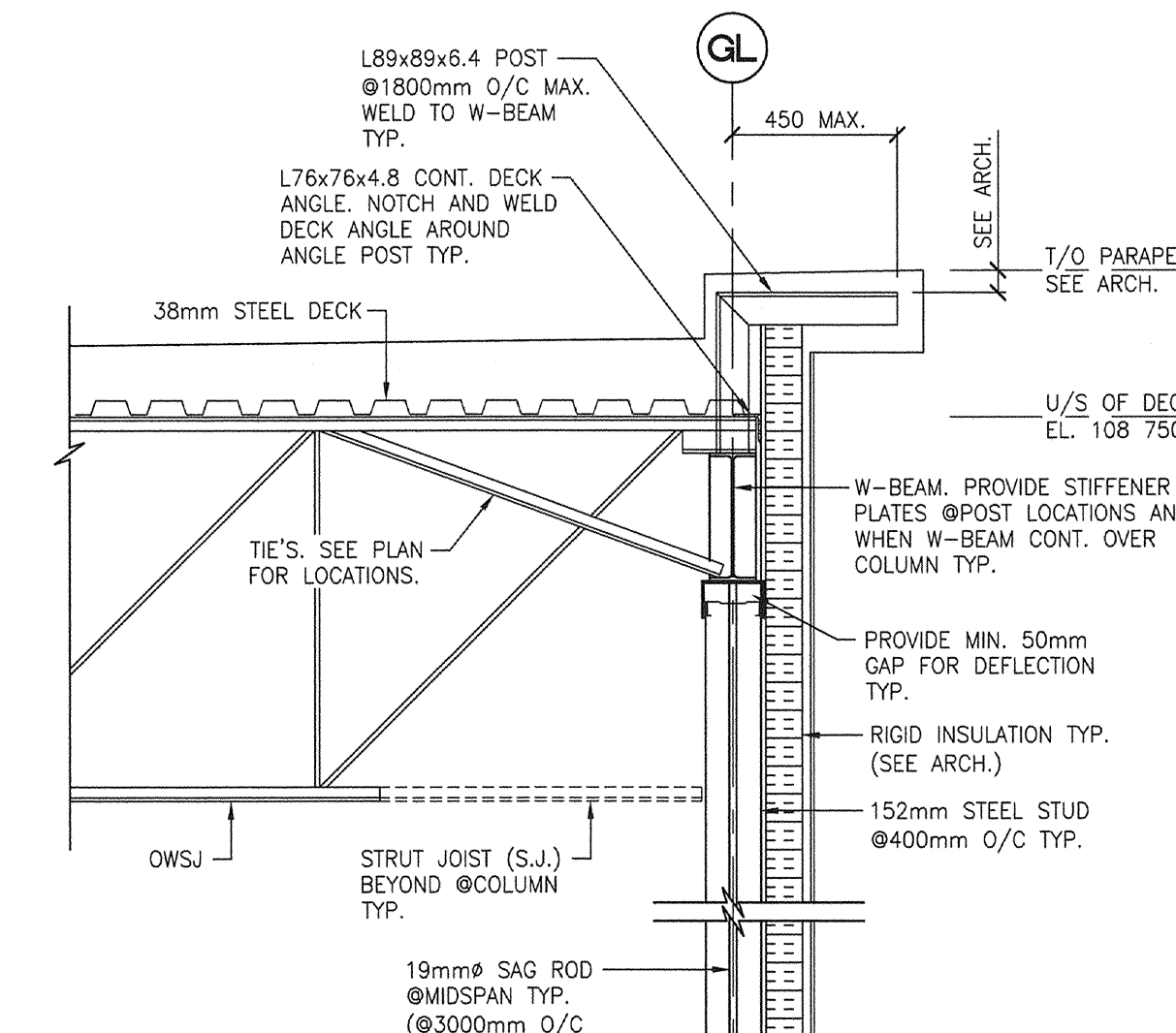
1 SECTION SCALE 120



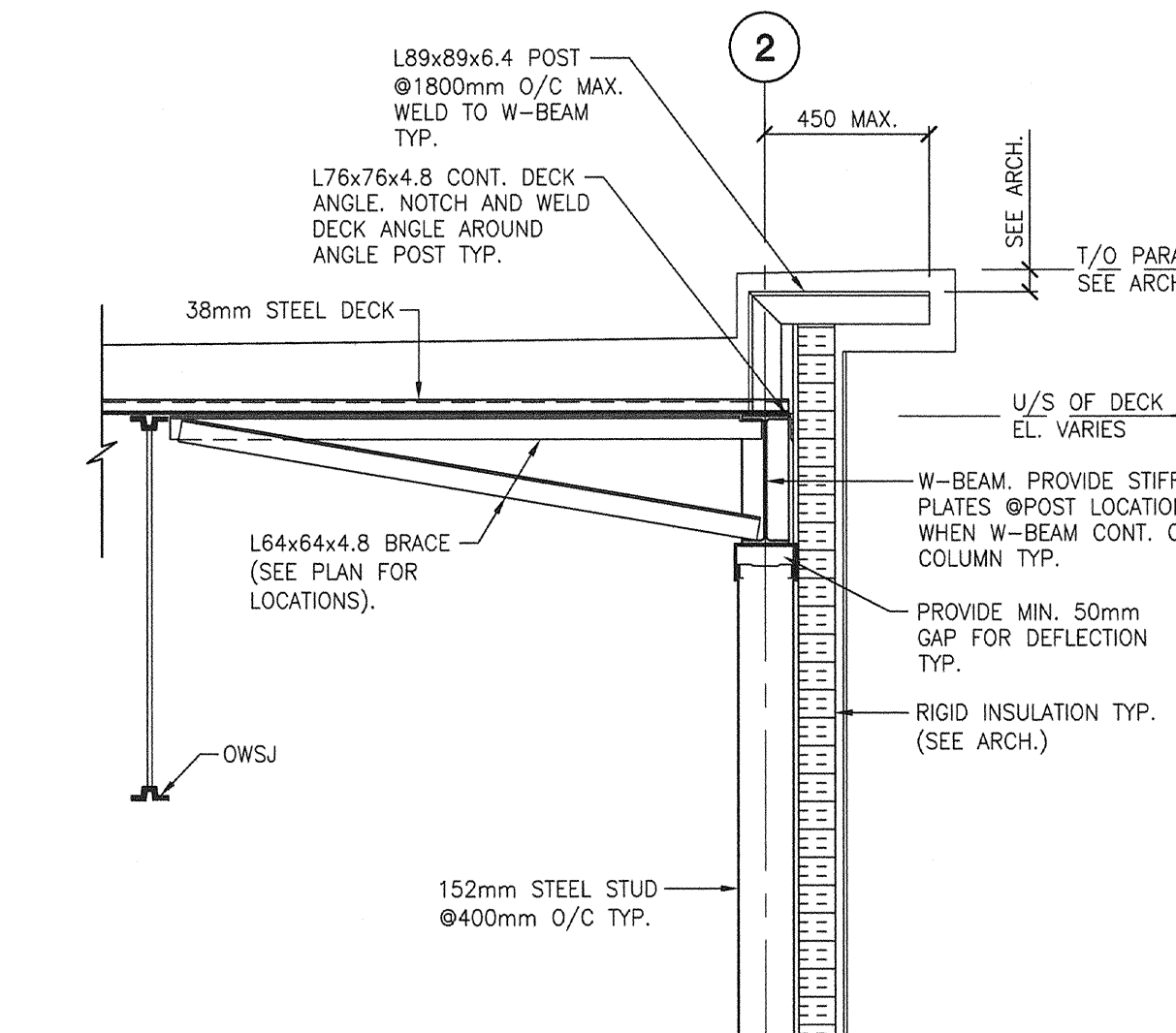
2 SECTION SCALE 120



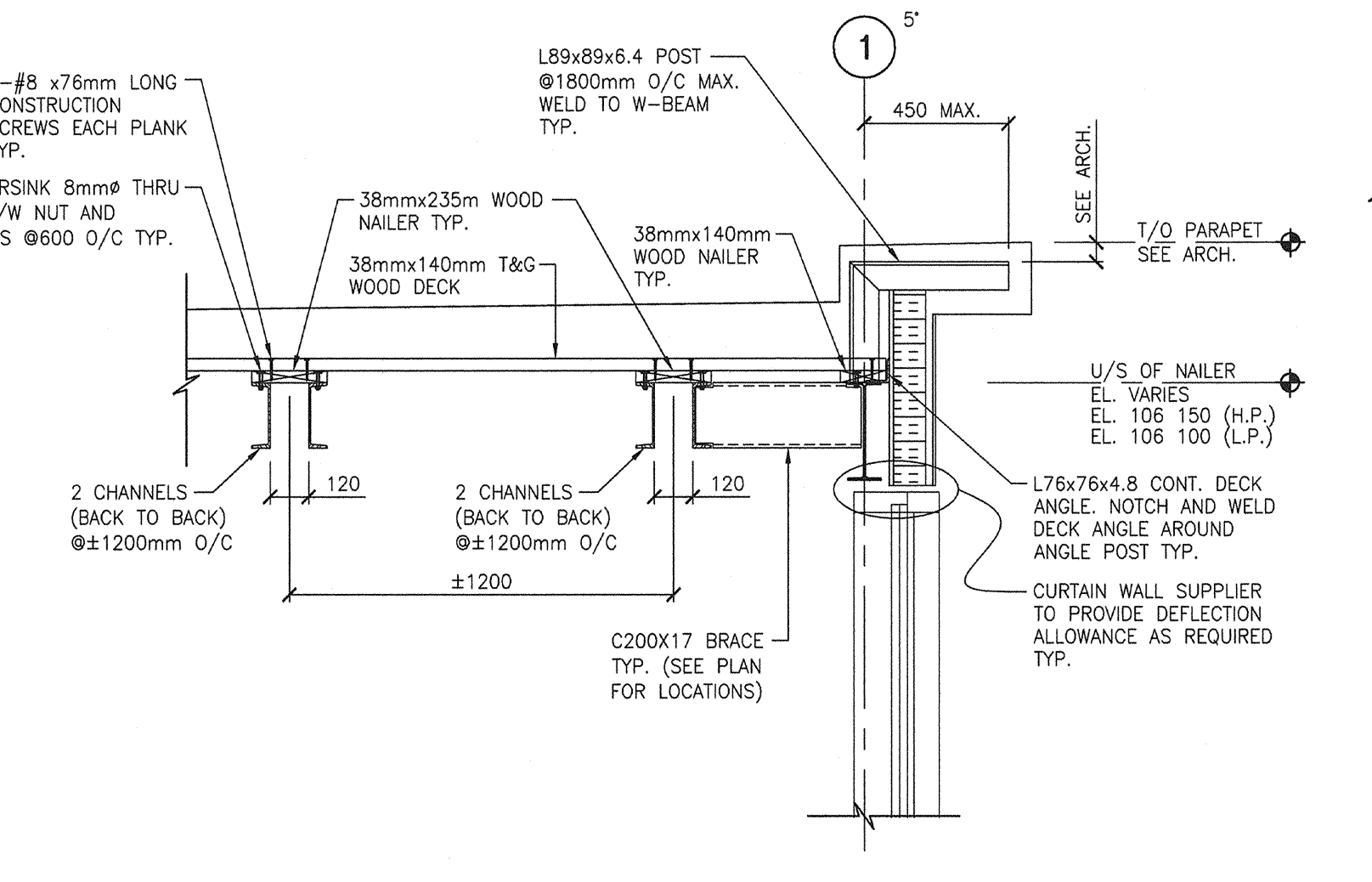
3 SECTION SCALE 120



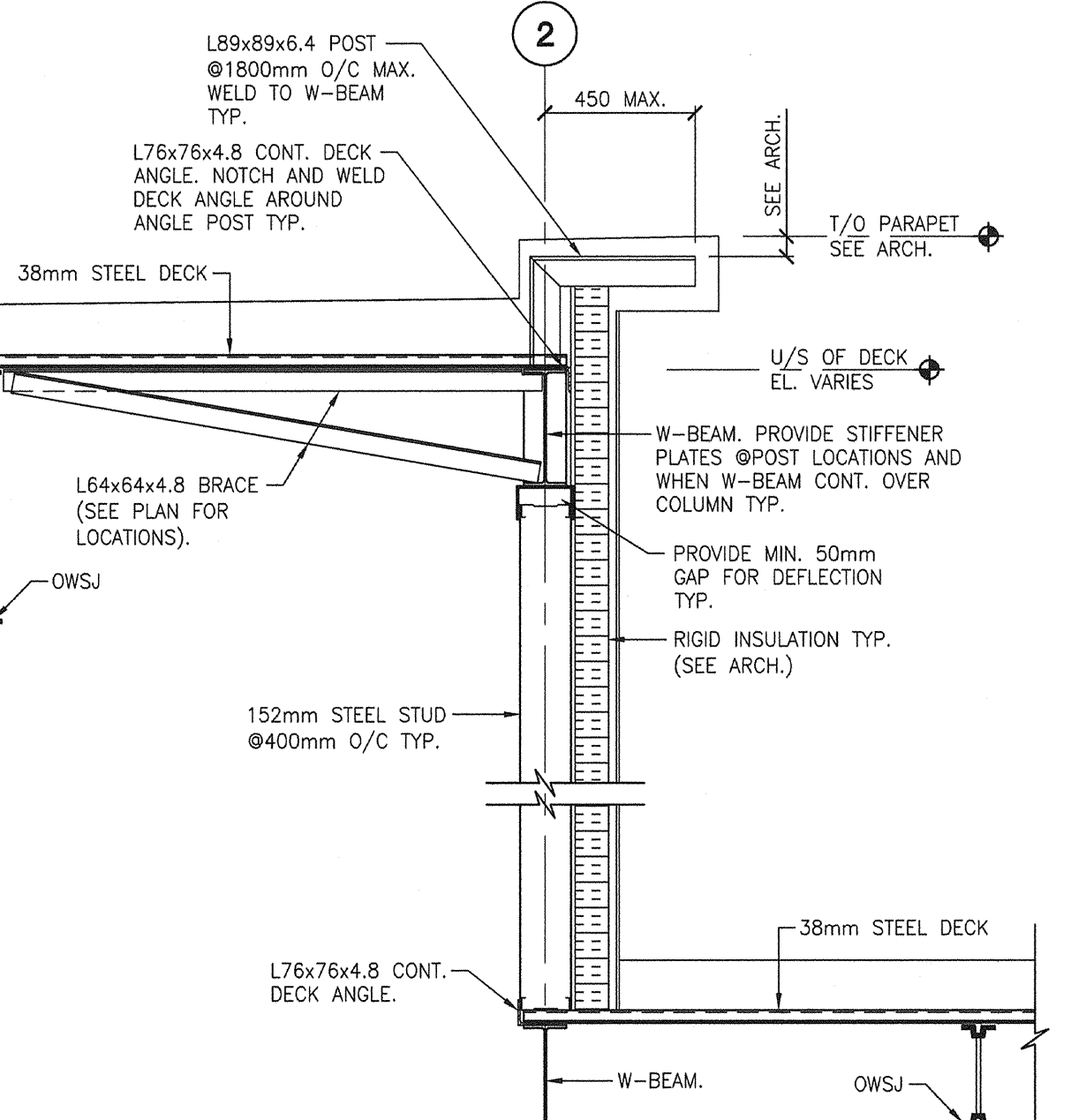
4 SECTION SCALE 120



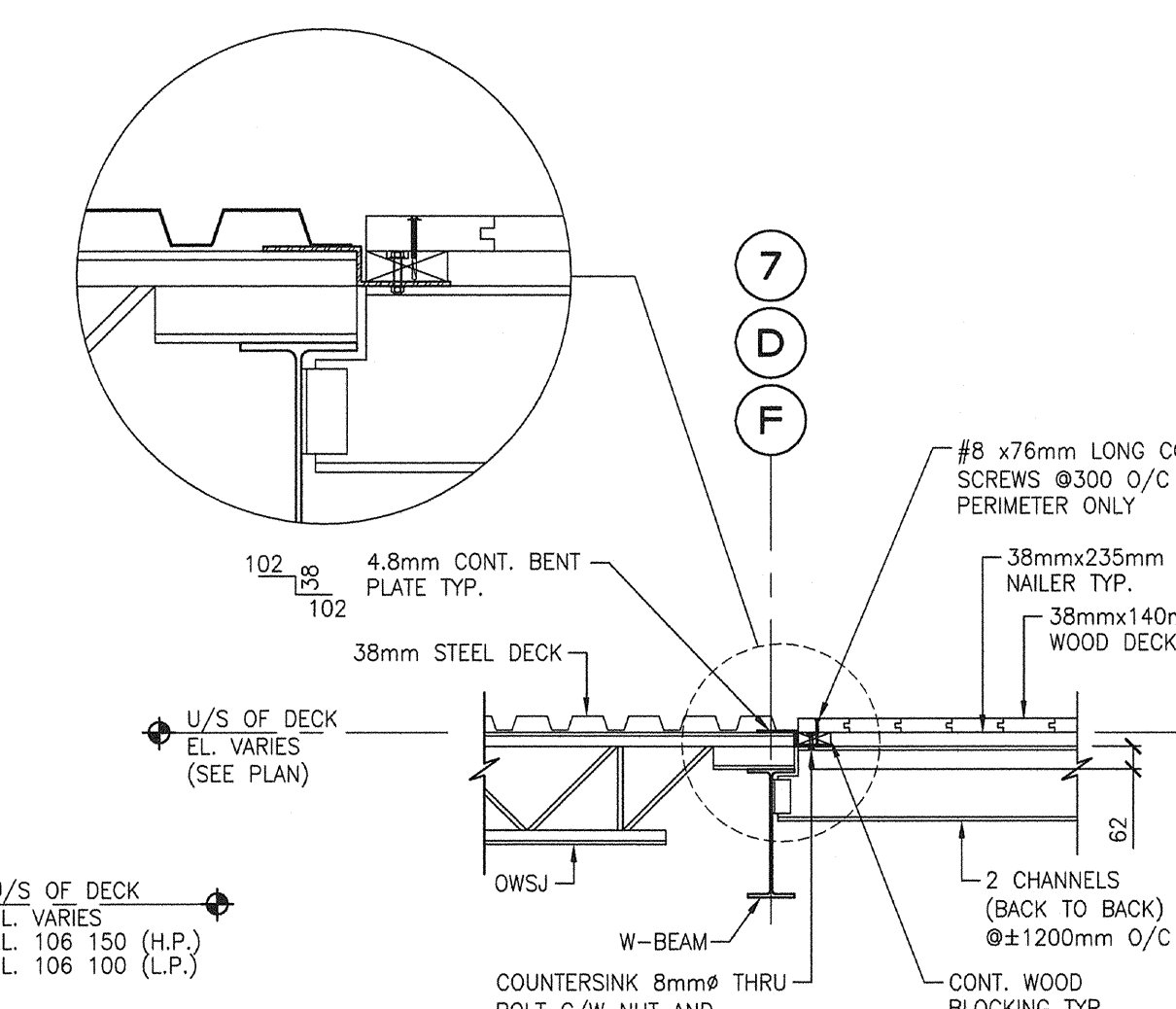
5 SECTION SCALE 120



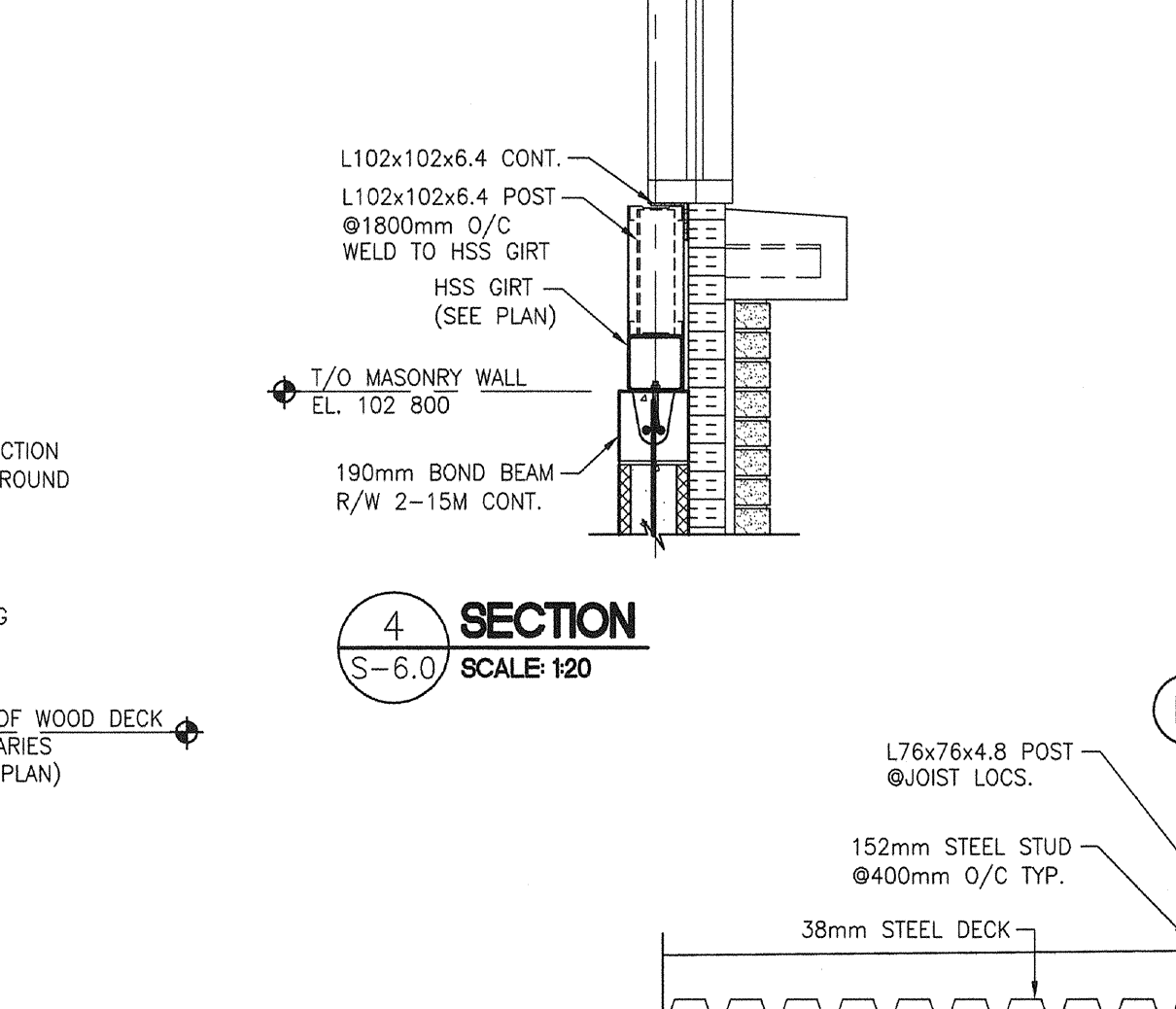
6 SECTION SCALE 120



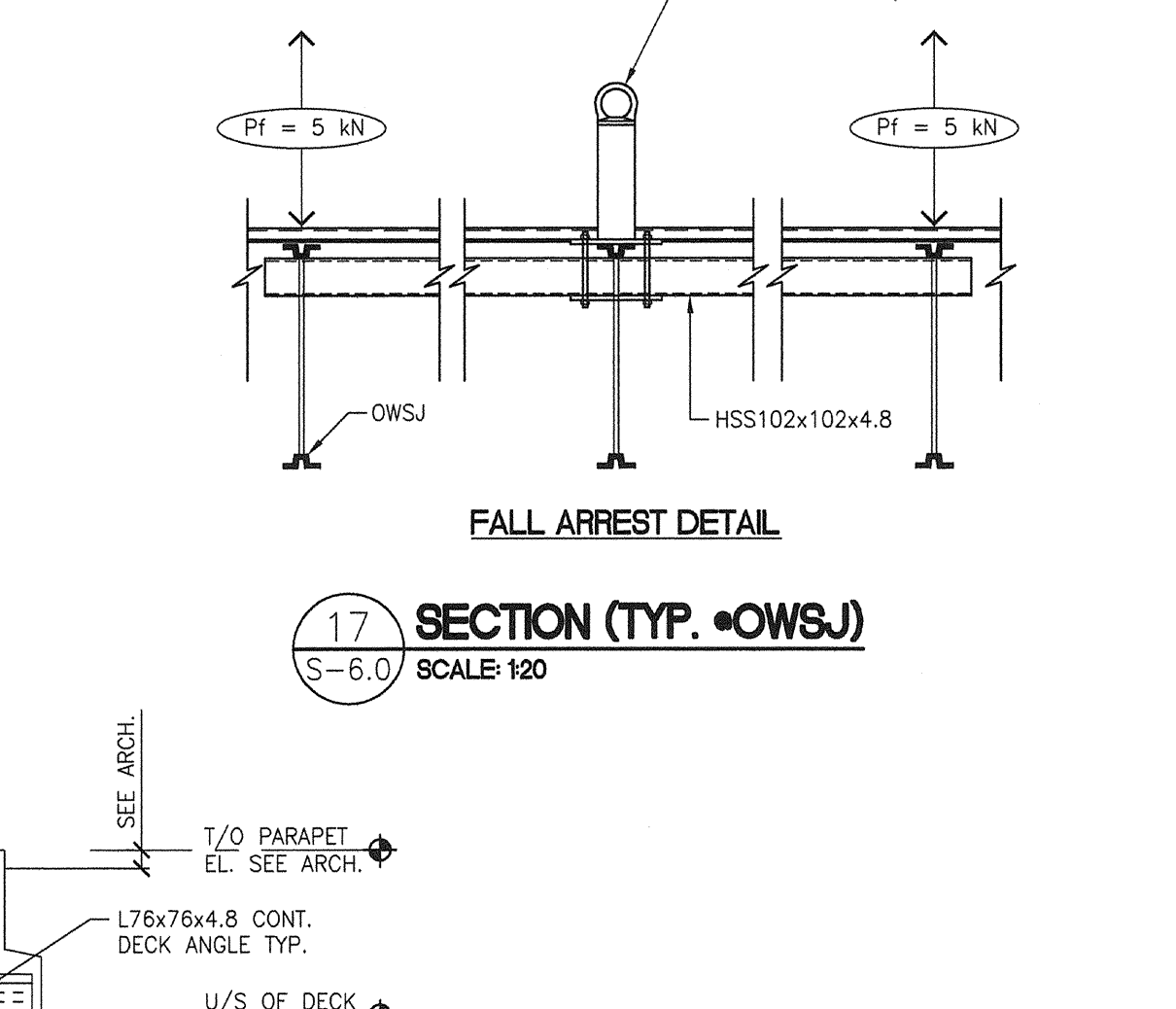
7 SECTION SCALE 120



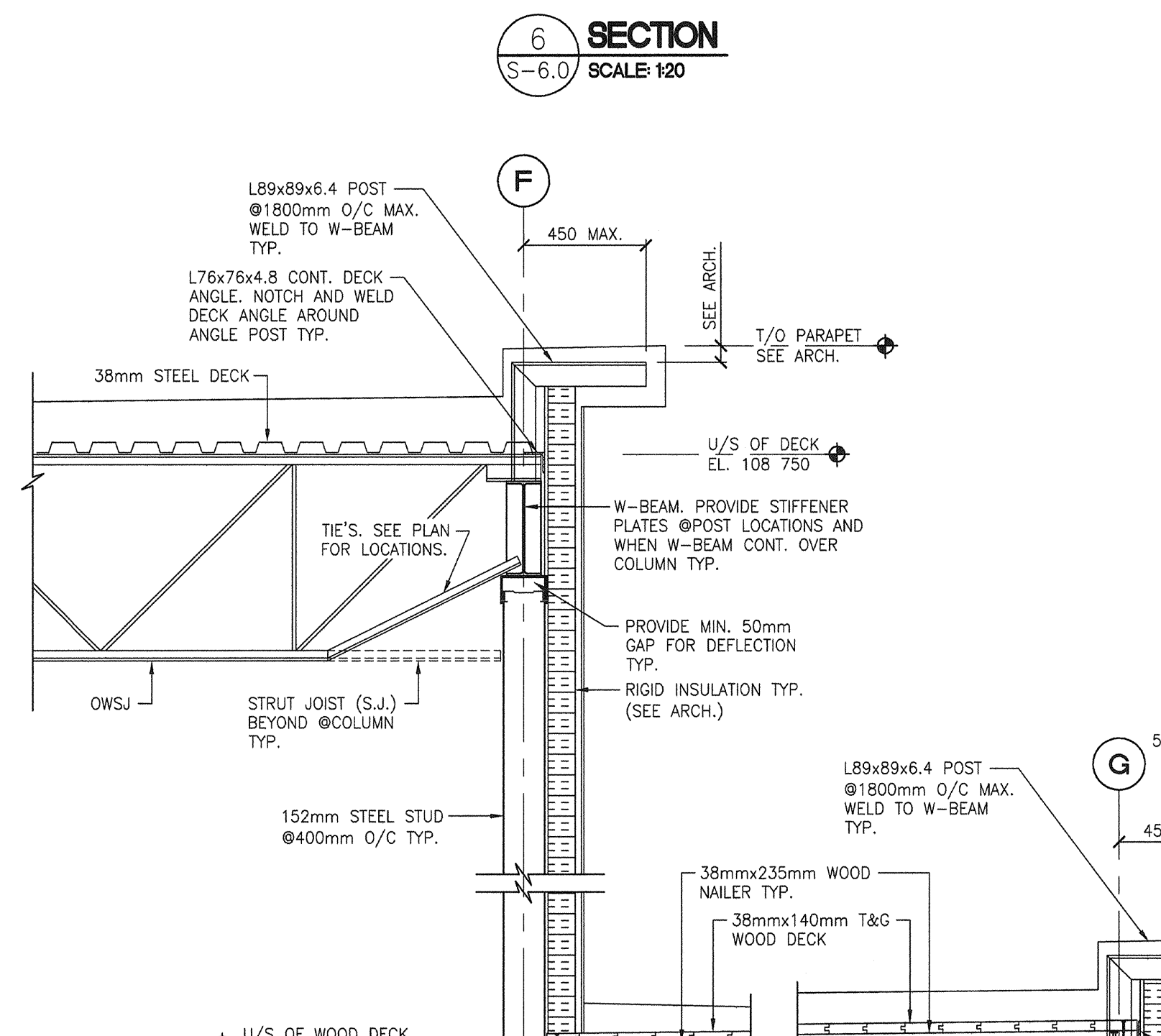
8 SECTION SCALE 120



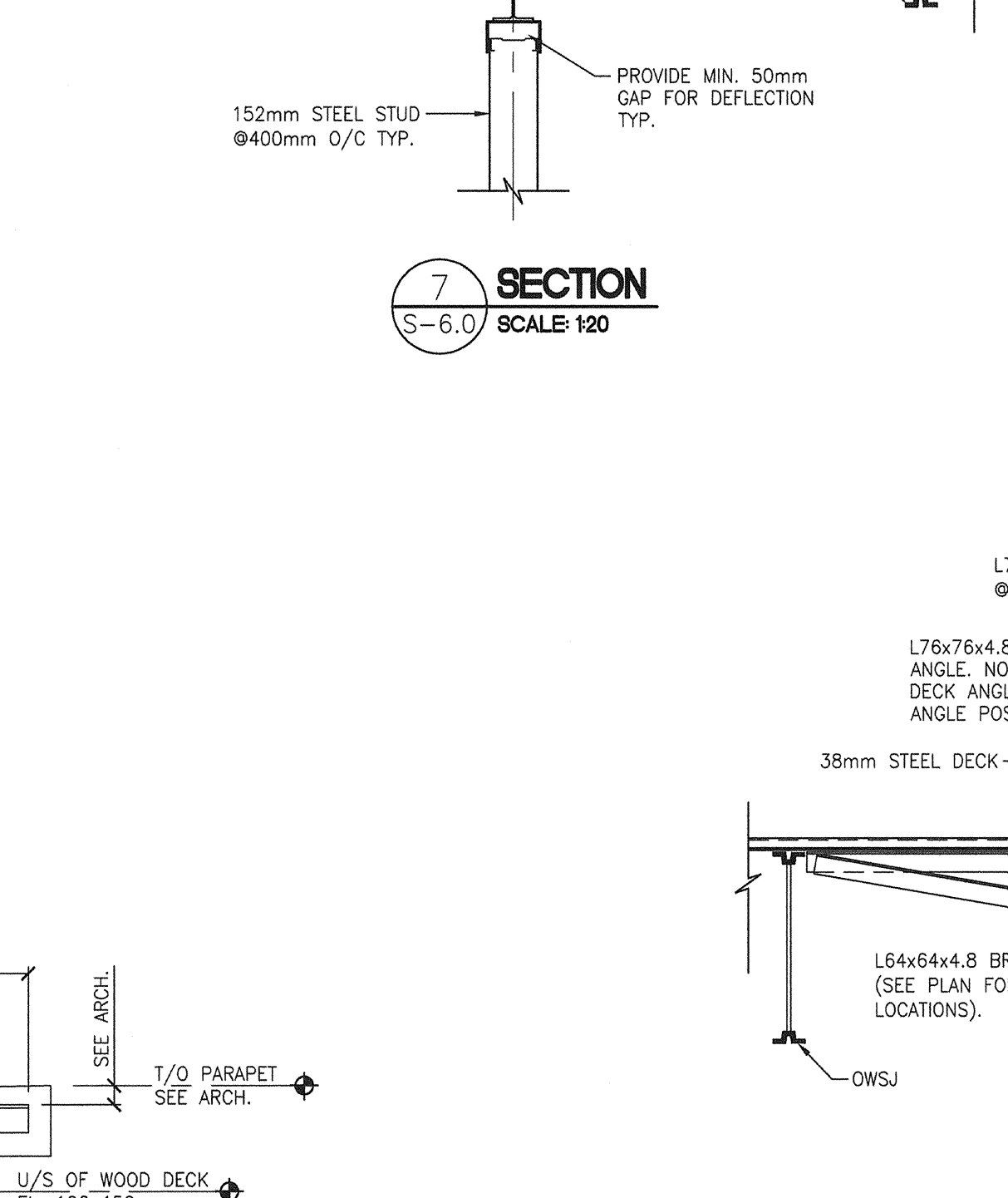
9 SECTION SCALE 120



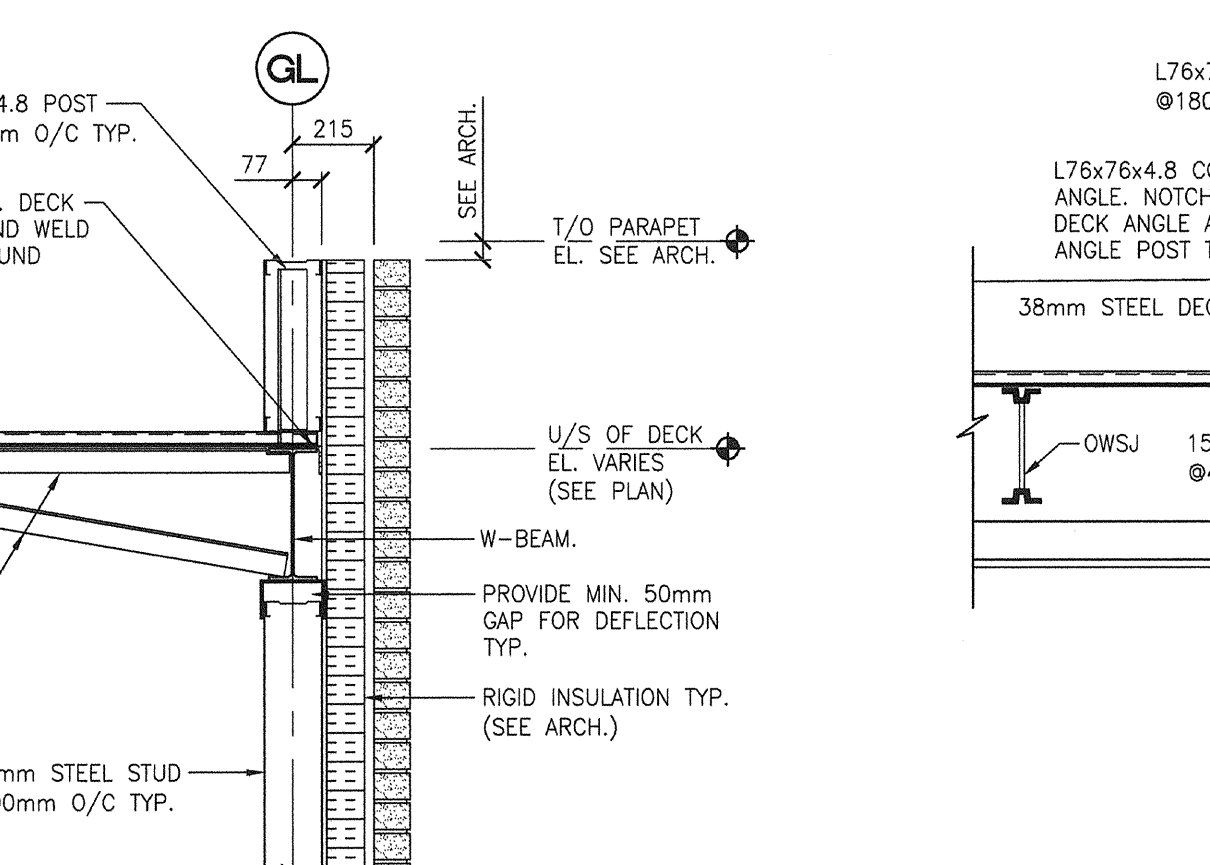
10 SECTION SCALE 120



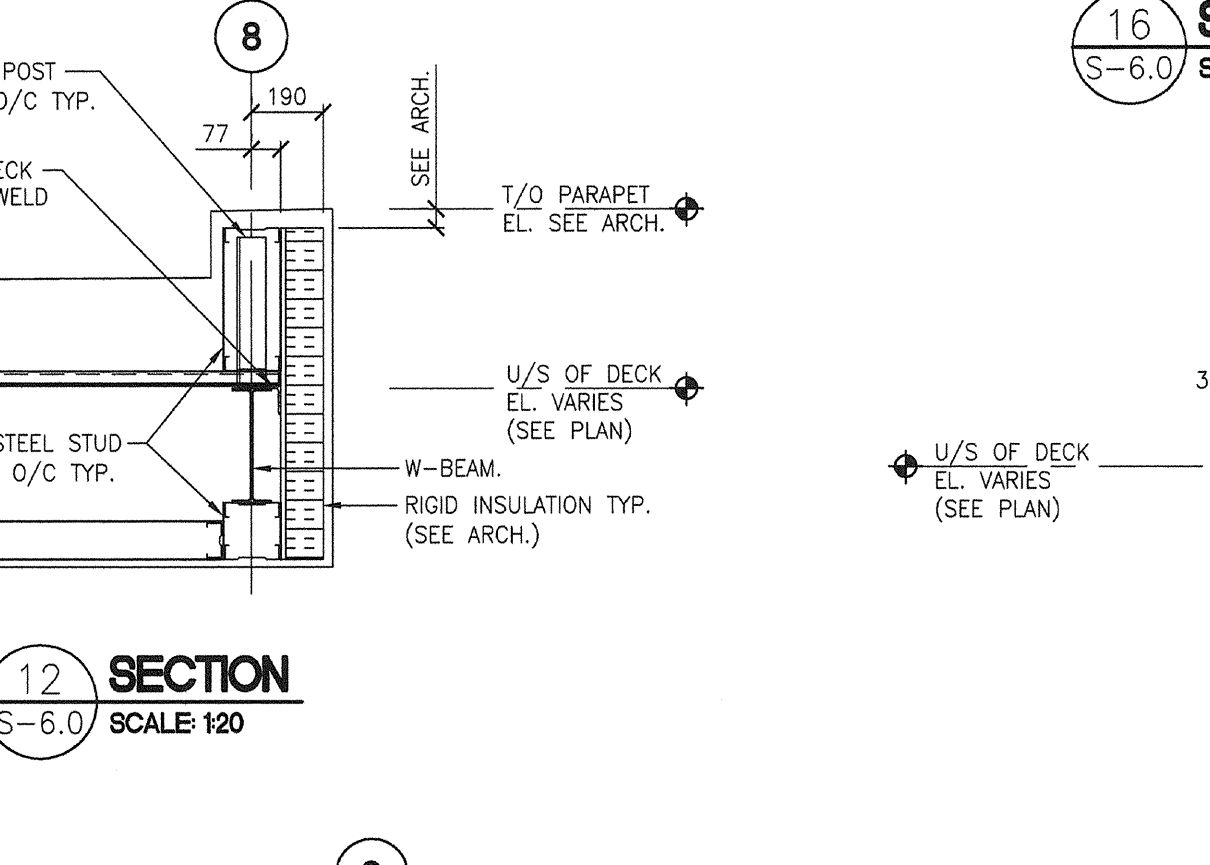
11 SECTION SCALE 120



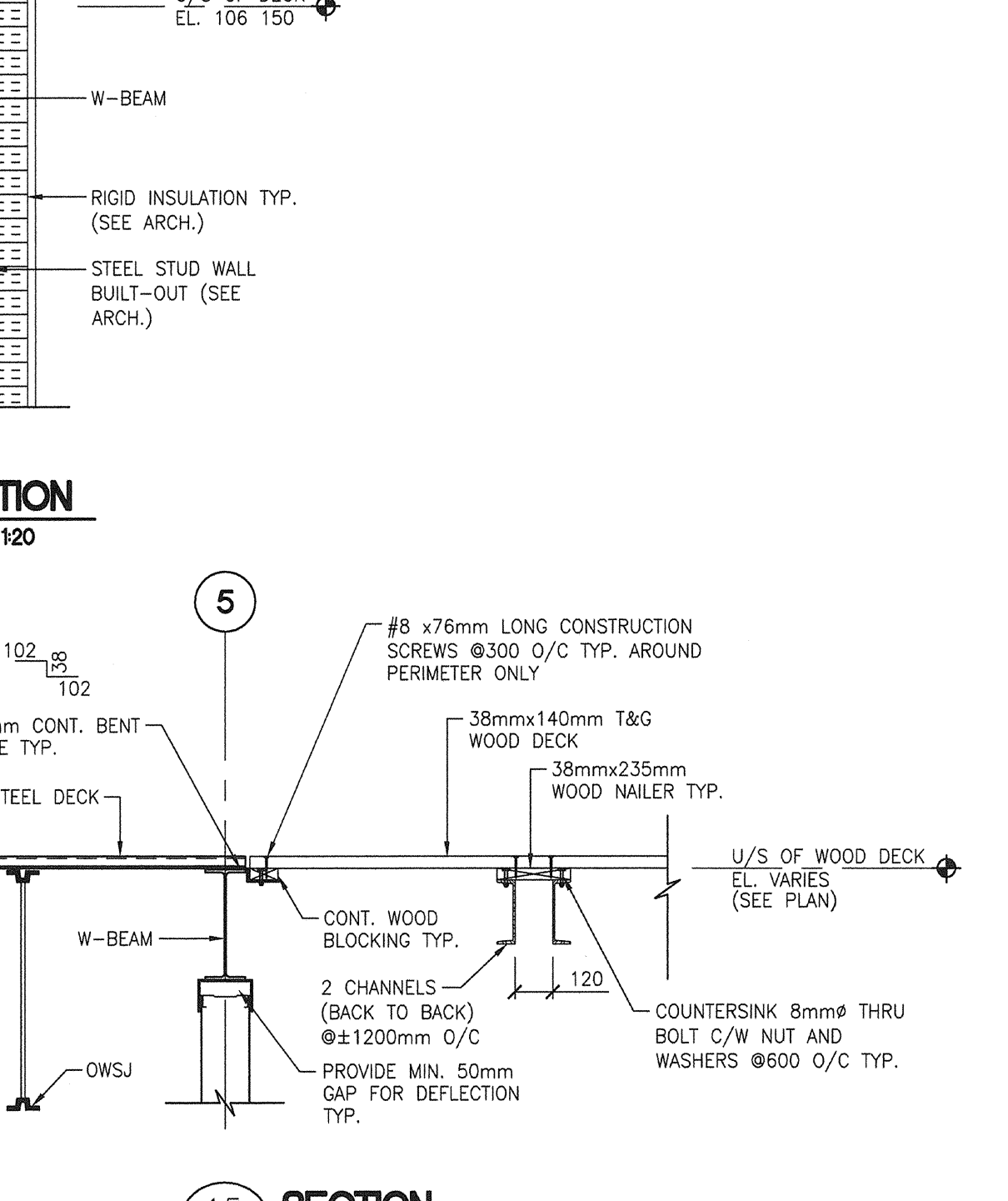
12 SECTION SCALE 120



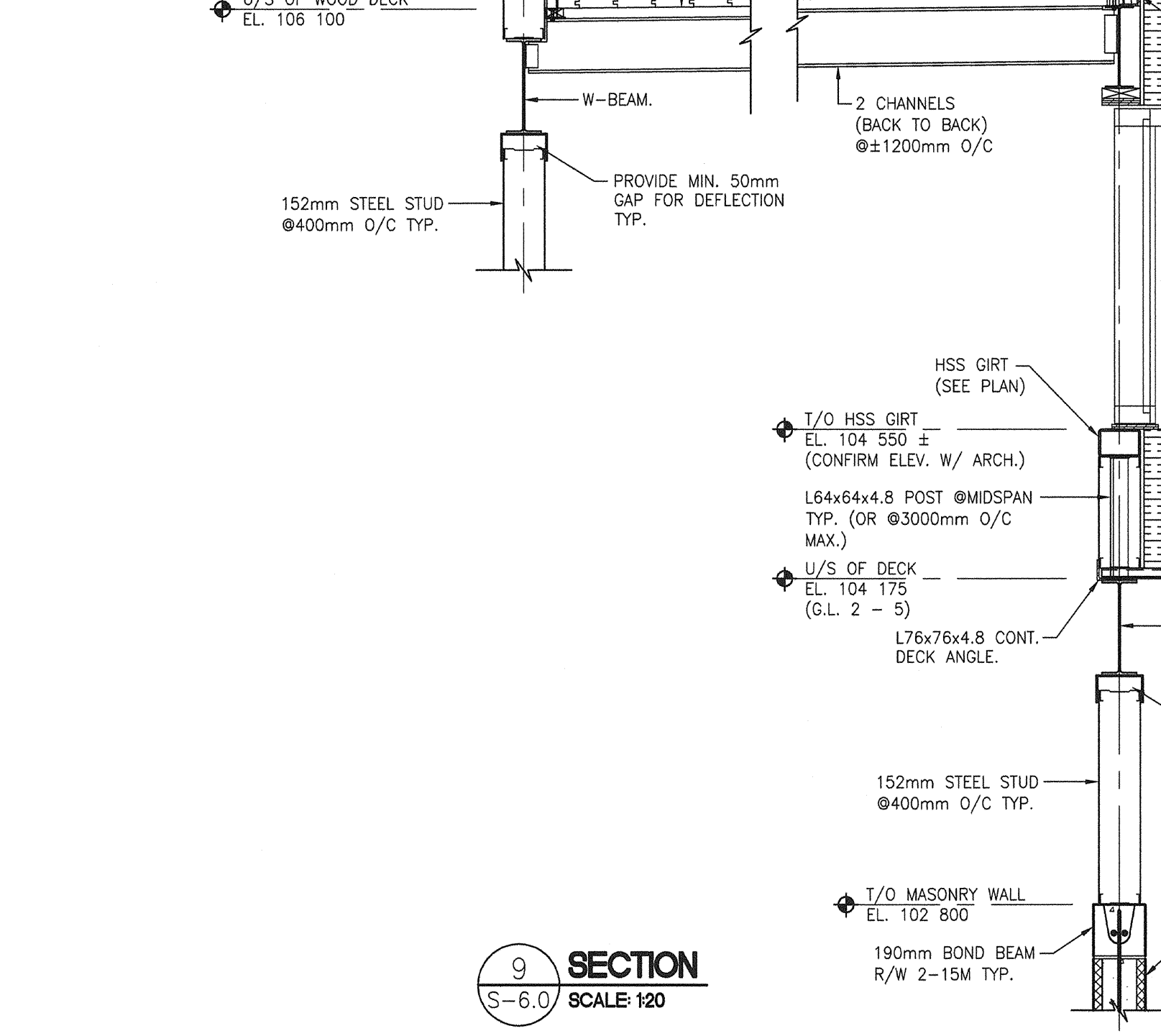
13 SECTION SCALE 120



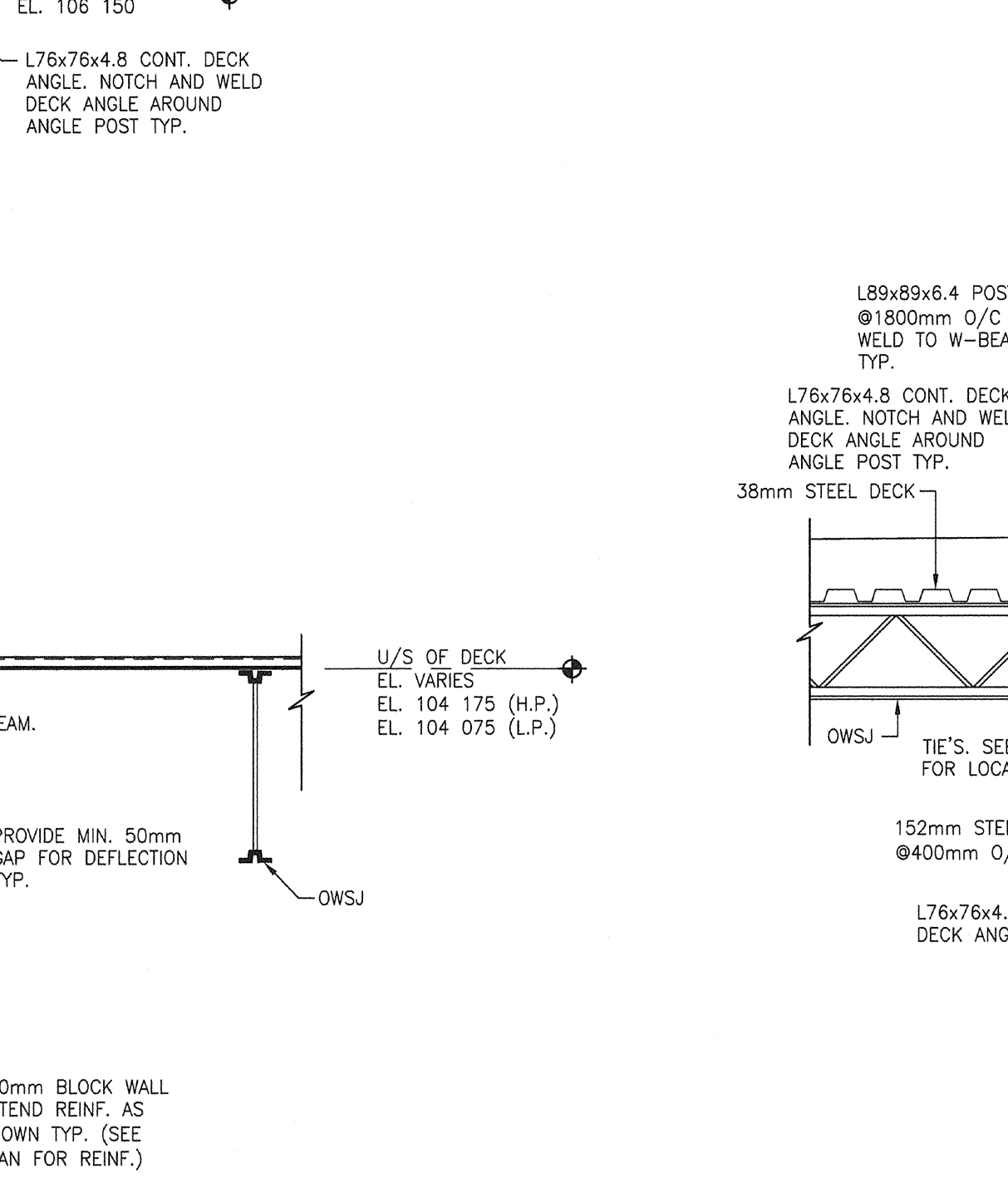
14 SECTION SCALE 120



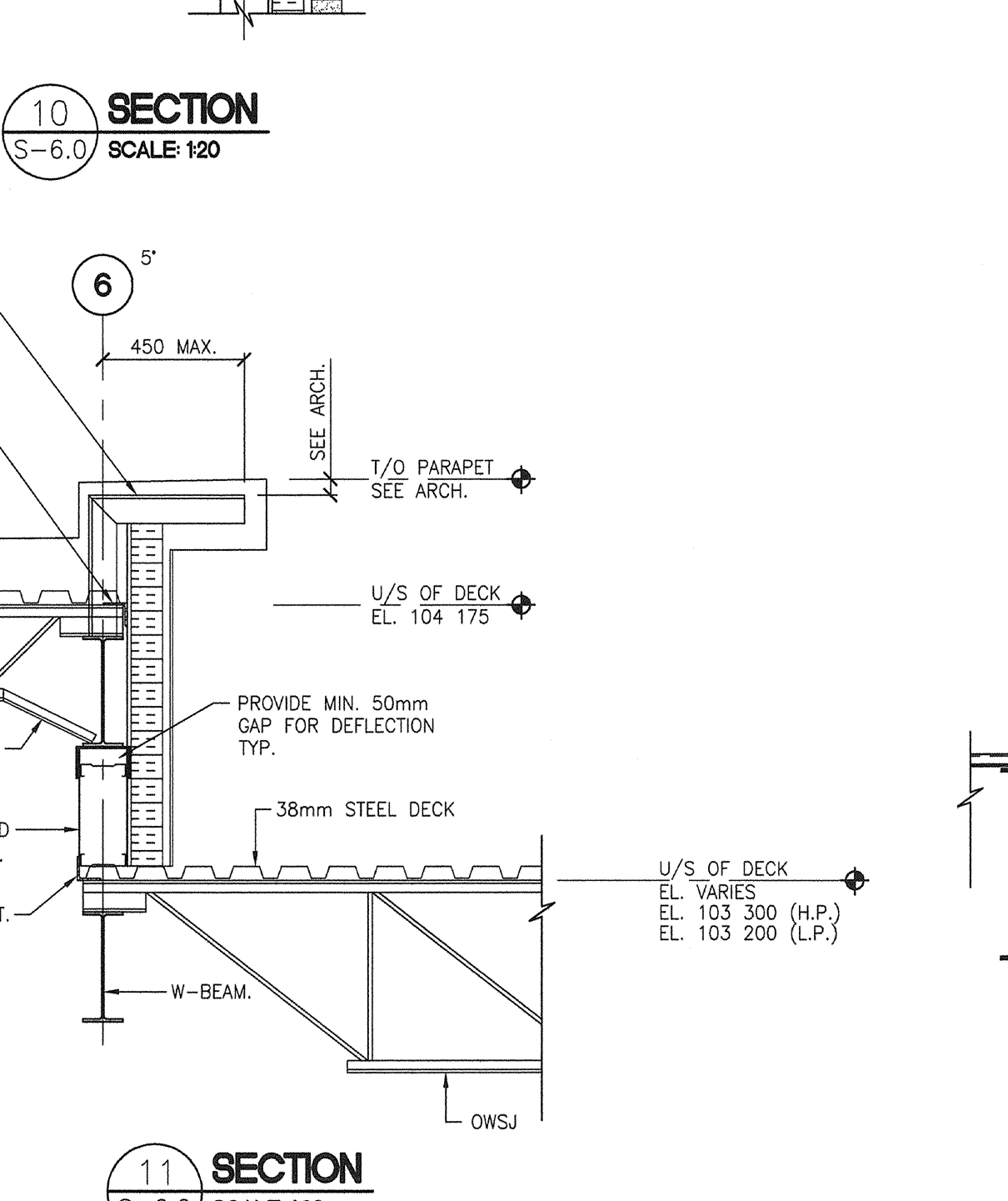
15 SECTION SCALE 120



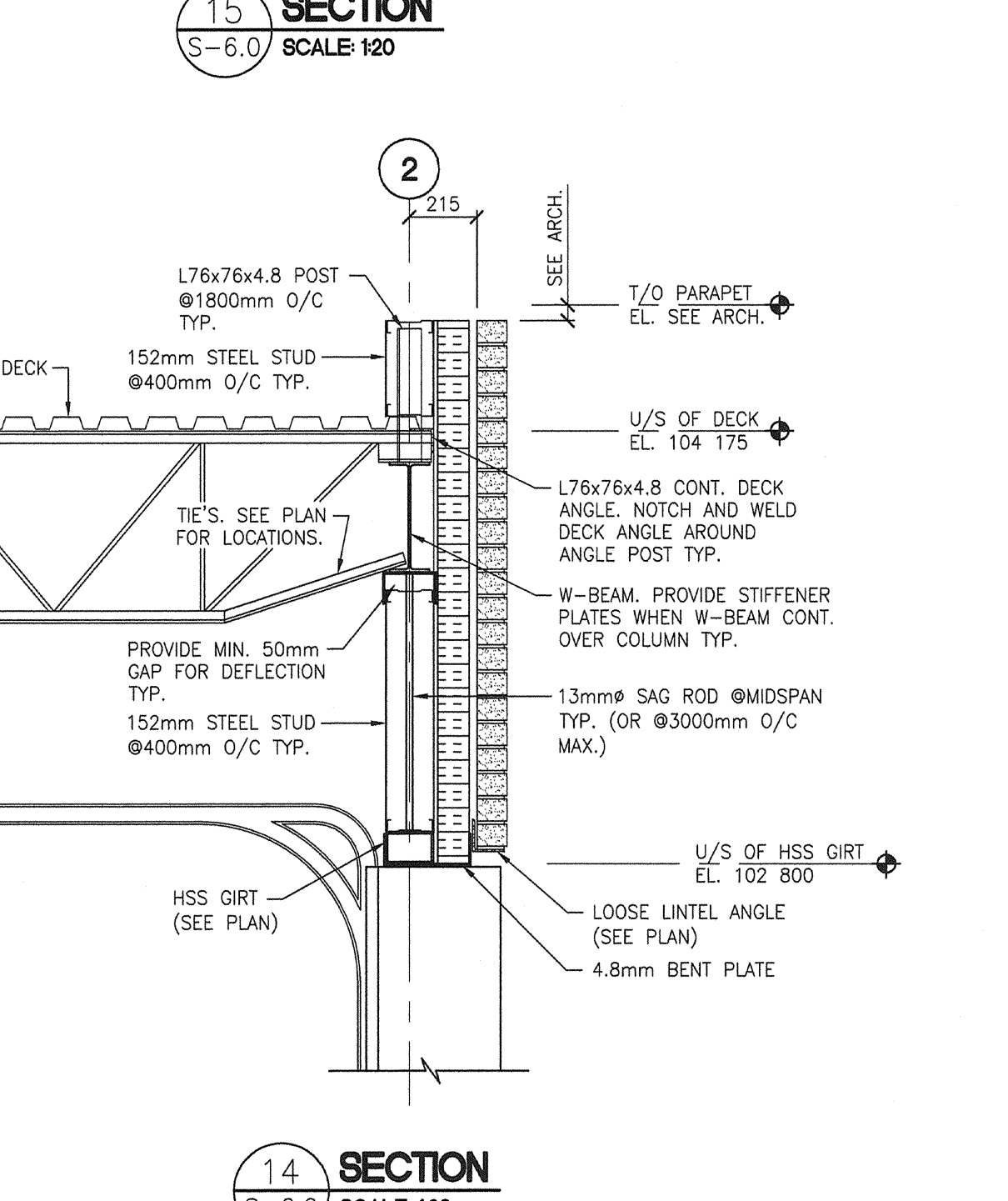
16 SECTION SCALE 120



17 SECTION (TYP. OWSJ) SCALE 120

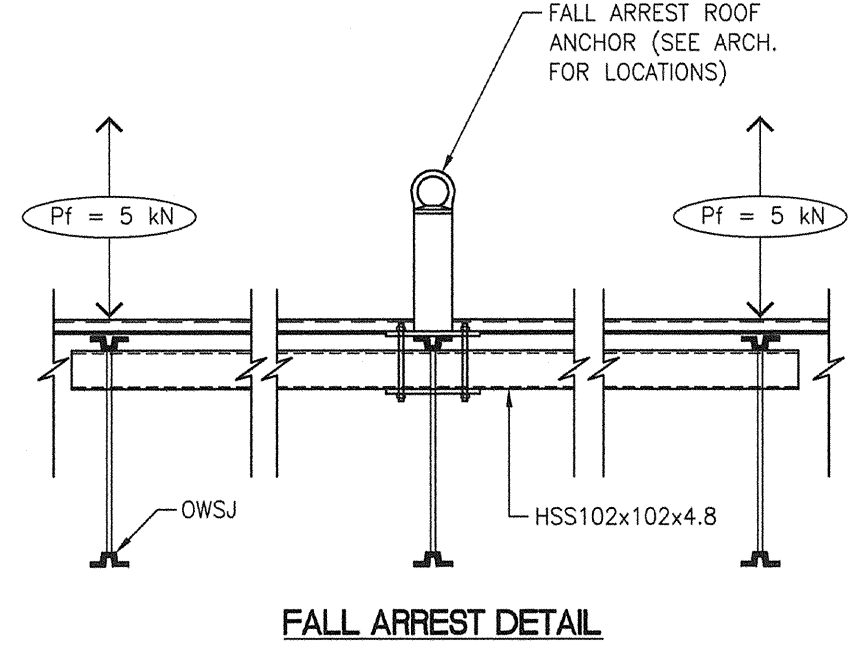


18 SECTION (TYP. OWSJ) SCALE 120

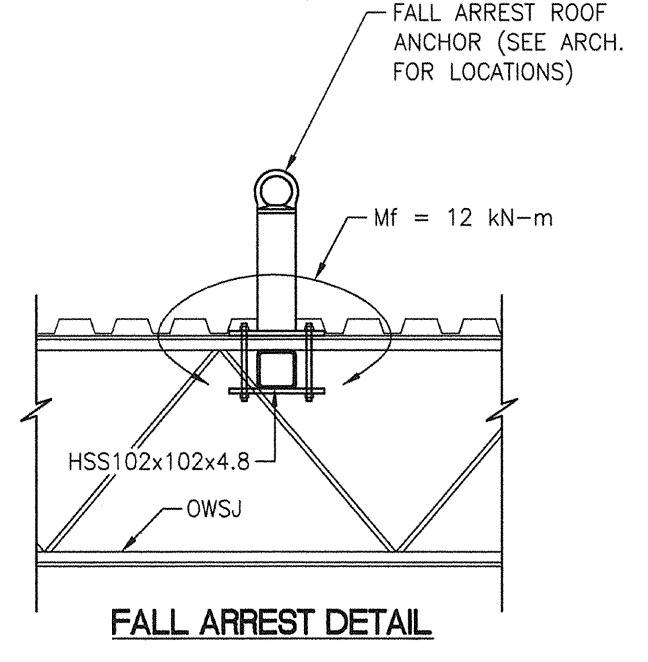


19 SECTION SCALE 120

NOTES:
 THIS DRAWING MUST NOT BE SCALE.
 THE CONTRACTOR SHALL VERIFY ALL DIMENSIONS, DETAILS, AND LEVELS PRIOR TO COMMENCEMENT OF WORK. ALL ERRORS AND OMISSIONS TO BE REPORTED TO THE CONTRACT ADMINISTRATOR BEFORE PROCEEDING.
 VARIATIONS AND MODIFICATIONS TO WORK SHOWN ON THESE DRAWINGS SHALL NOT BE CARRIED OUT WITHOUT WRITTEN PERMISSION OF THE CONTRACT ADMINISTRATOR.
 THIS DRAWING IS THE EXCLUSIVE PROPERTY OF NUMBER TEN ARCHITECTURAL GROUP AND THE CONTRACTOR IN THE NAME HEREIN REFERRED TO THEM. IT MAY BE REPRODUCED ONLY WITH THE PERMISSION OF THE CITY OF WINNIPEG.



FALL ARREST DETAIL



FALL ARREST DETAIL

TOWER PROJECT NO.: 6150
TOWER ENGINEERING GROUP
 208 - 897 CORTOON AVE. WINNIPEG, MB R3M 0W7
 TEL: (204) 925-1150 FAX: (204) 925-1155
 EMAIL: towereng@towereng.ca WEB: www.towereng.ca

numberTEN architectural group
 winnipeg MB victoria BC
 204 942 0781 250 560 2166
 architecture • interior design • graphic design

NO.	REVISED/ISSUED/PLUDED	DATE
1	DESIGN DEVELOPMENT SUBMISSION	31/AUG/07
2	ISSUED FOR 40% REVIEW	29/OCT/07
3	ISSUED FOR 80% REVIEW	07/DEC/07
4	ISSUED FOR 100% REVIEW	11/JAN/08
5	ISSUED FOR TENDER	18/JAN/08

NO. REVISION/DESCRIPTION BY DATE

SEALS

PROVINCE OF MANITOBA
 G. SCHAUB
 REGISTERED ENGINEER
 1998-1909

APEGM
 Certificate of Authorization
 Tower Engineering Group
 No. 1918 Expiry: April 30, 2008

DRAWN BY: MB CHECKED BY: DN APPROVED: DN
 DATE: 2007.08.31 USER APPROVAL

CITY OF WINNIPEG
 PLANNING, PROPERTY AND DEVELOPMENT DEPARTMENT
 CIVIC ACCOMMODATIONS DIVISION
 300 - 65 GARRY ST. R3C 4K4

PROJECT:
BRONX PARK COMMUNITY CENTRE
HOME OF GOOD NEIGHBOURS SENIOR CENTRE
 WINNIPEG, MB.
 SHEET TITLE:
ROOF SECTIONS

SCALE	PROJECT NO.	SHEET NO.
AS SHOWN	PRD 2006-065	S-6.0

DRAWING SHEET SIZE: ARCH E1 (42" x 30" PLOT 1:1)