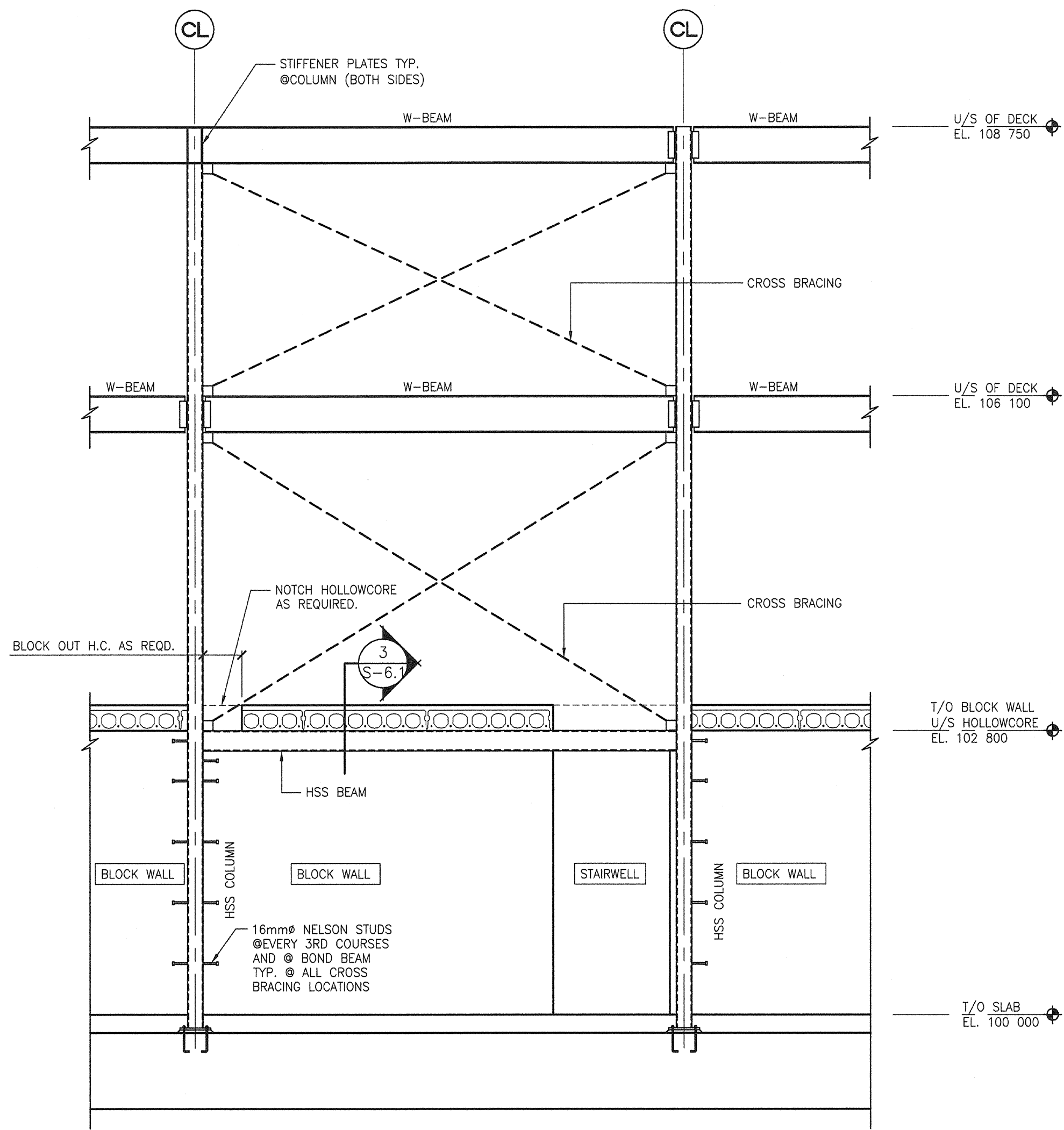
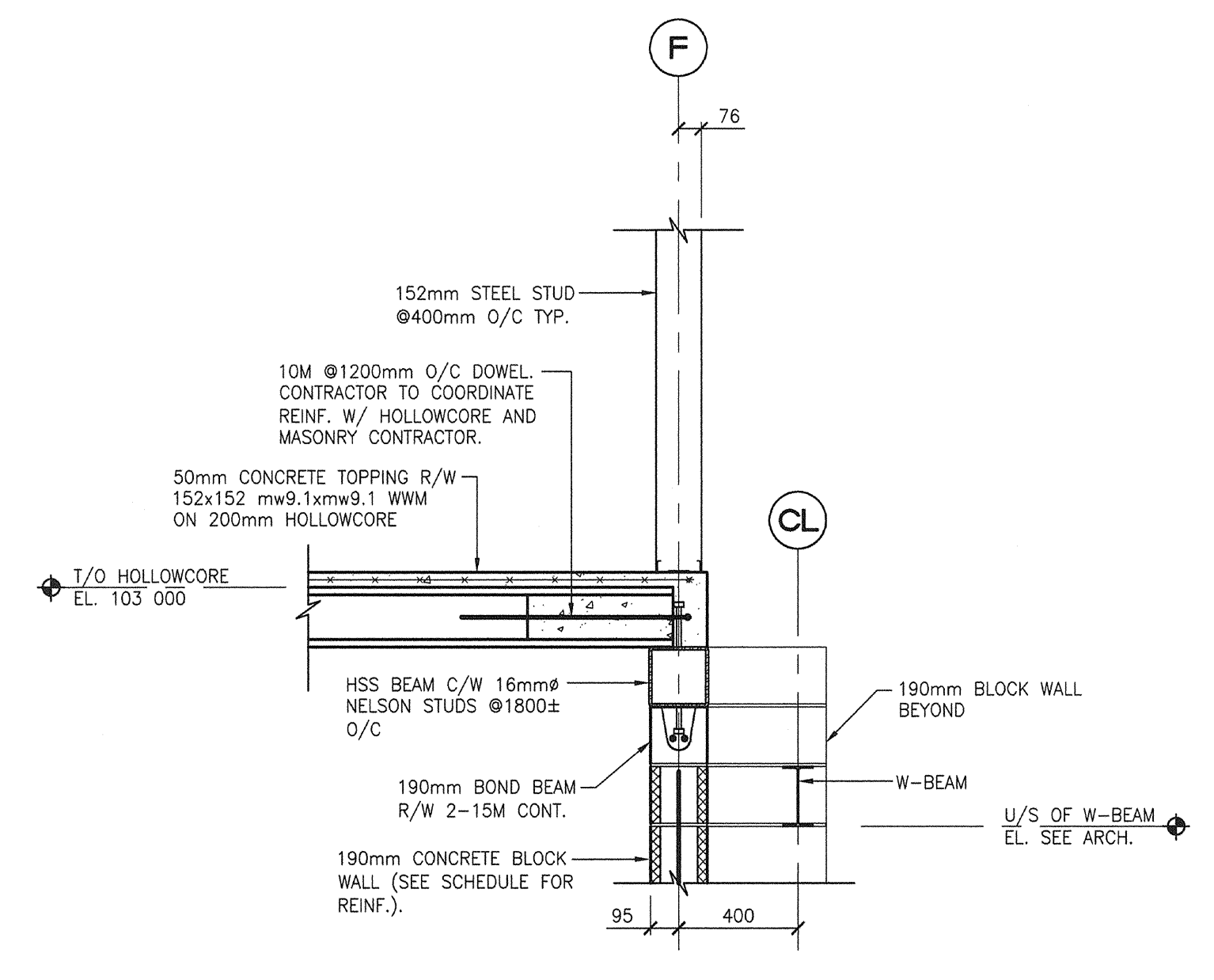


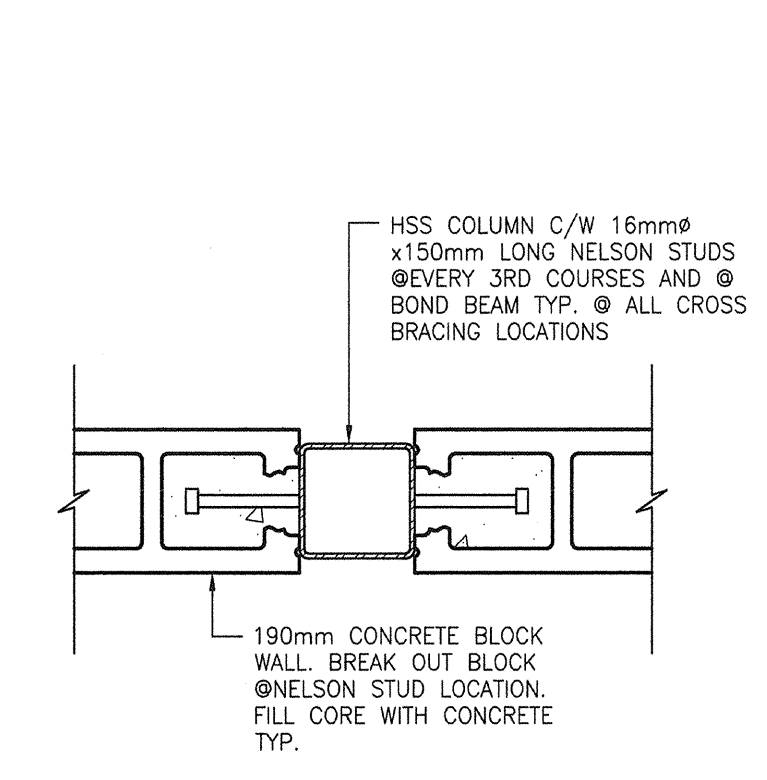
1 SECTION - CROSS BRACING SCALE 1/40



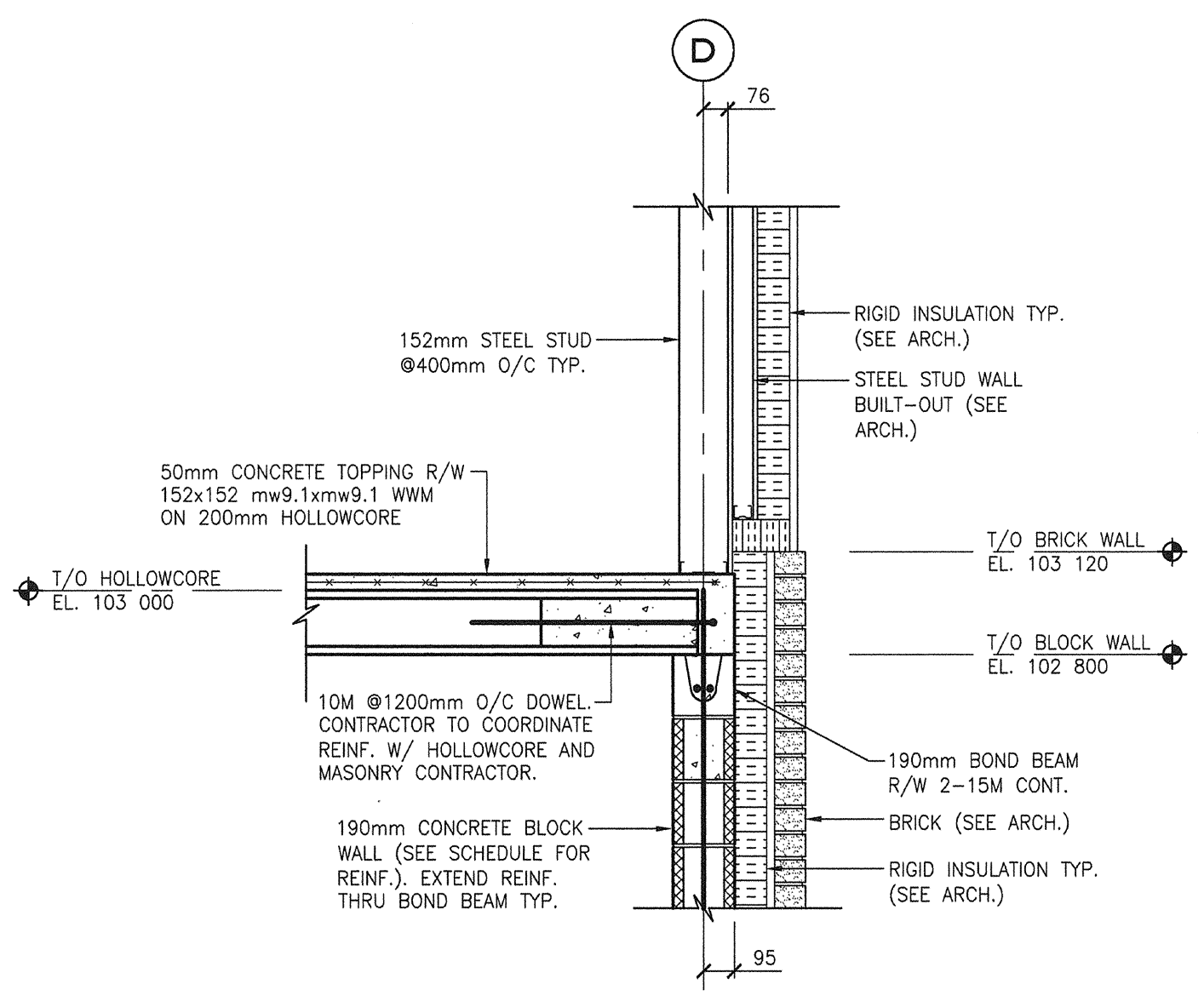
2 SECTION - CROSS BRACING SCALE 1/40



3 SECTION SCALE 1/20



4 TYP. DETAIL SCALE 1/10



5 SECTION SCALE 1/20

NOTES:

THIS DRAWING MUST NOT BE SCALED.

THE CONTRACTOR SHALL VERIFY ALL DIMENSIONS, DATA, AND LEVELS FROM TO COMMENCEMENT OF WORK. ALL ERRORS AND OMISSIONS TO BE REPORTED TO THE CONTRACT ADMINISTRATOR BEFORE PROCEEDING.

VARIOUS AND MODIFICATIONS TO WORK SHOWN ON THESE DRAWINGS SHALL NOT BE CARRIED OUT WITHOUT WRITTEN PERMISSION OF THE CONTRACT ADMINISTRATOR.

THIS DRAWING IS THE EXCLUSIVE PROPERTY OF NUMBER TEN ARCHITECTURAL GROUP AND THE COPYRIGHT IN THE SAME BEING RESERVED TO THEM. IT MAY BE REPRODUCED ONLY WITH THE PERMISSION OF THE CITY OF WINNIPEG.

TOWER PROJECT NO. : 6150

TOWER ENGINEERING GROUP

208 - 897 CORDOON AVE. WINNIPEG, MB R3M 0W7
 TEL: (204) 925-1150 FAX: (204) 925-1155
 EMAIL: towereng@towereng.ca WEB: www.towereng.ca

numberTEN architectural group

Winnipeg MB 204 942.0781 Victoria BC 250 360.3106

architecture • interior design • graphic design

NO.	REVISION/ REVIEW/ PLUTED	DATE
1	DESIGN DEVELOPMENT SUBMISSION	31AUG.07
2	ISSUED FOR 40% REVIEW	28OCT.07
3	ISSUED FOR 80% REVIEW	07DEC.07
4	ISSUED FOR 100% REVIEW	11JAN.08
5	ISSUED FOR TENDER	18JAN.08
6		

NO.	REVISION/DESCRIPTION	BY	DATE
SEALS			

PROVINCE OF MANITOBA REGISTERED ENGINEER

G. SCHAUB

2007-10-08

APEGM

Certificate of Authorization
 Tower Engineering Group
 No. 1918 Expiry: April 30, 2008

DRAWN BY	CHECKED BY	APPROVED
18	DN	
DATE: 2007.08.31	USER APPROVAL	

CITY OF WINNIPEG
 PLANNING, PROPERTY AND DEVELOPMENT DEPARTMENT
 CIVIC ACCOMMODATIONS DIVISION
 300 - 65 GARRY ST. R3C 4K4

PROJECT
 BRONX PARK COMMUNITY CENTRE
 HOME OF GOOD NEIGHBOURS SENIOR CENTRE
 WINNIPEG, MB.

SHEET TITLE
 SECTIONS

SCALE	PROJECT NO.	SHEET NO.
AS SHOWN	PP&D 2006-065	S-6.1

DRAWING SHEET SIZE: ARCH E1 (42" x 30") PLOT 1:1