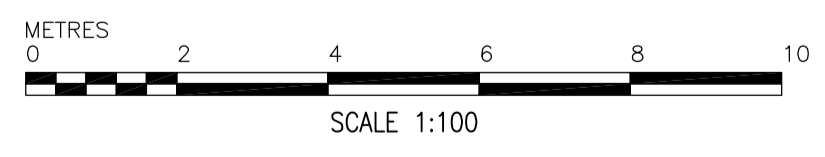
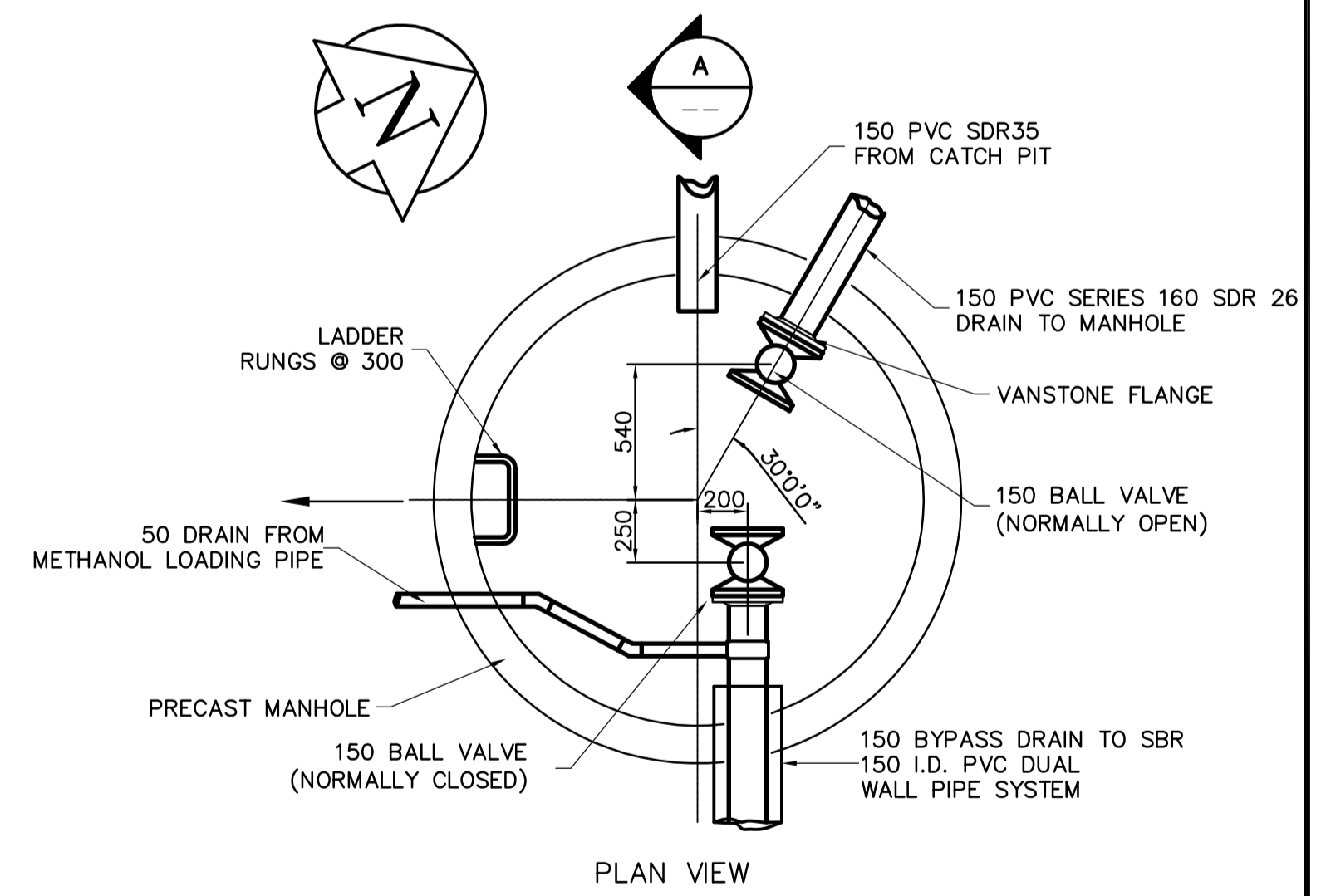
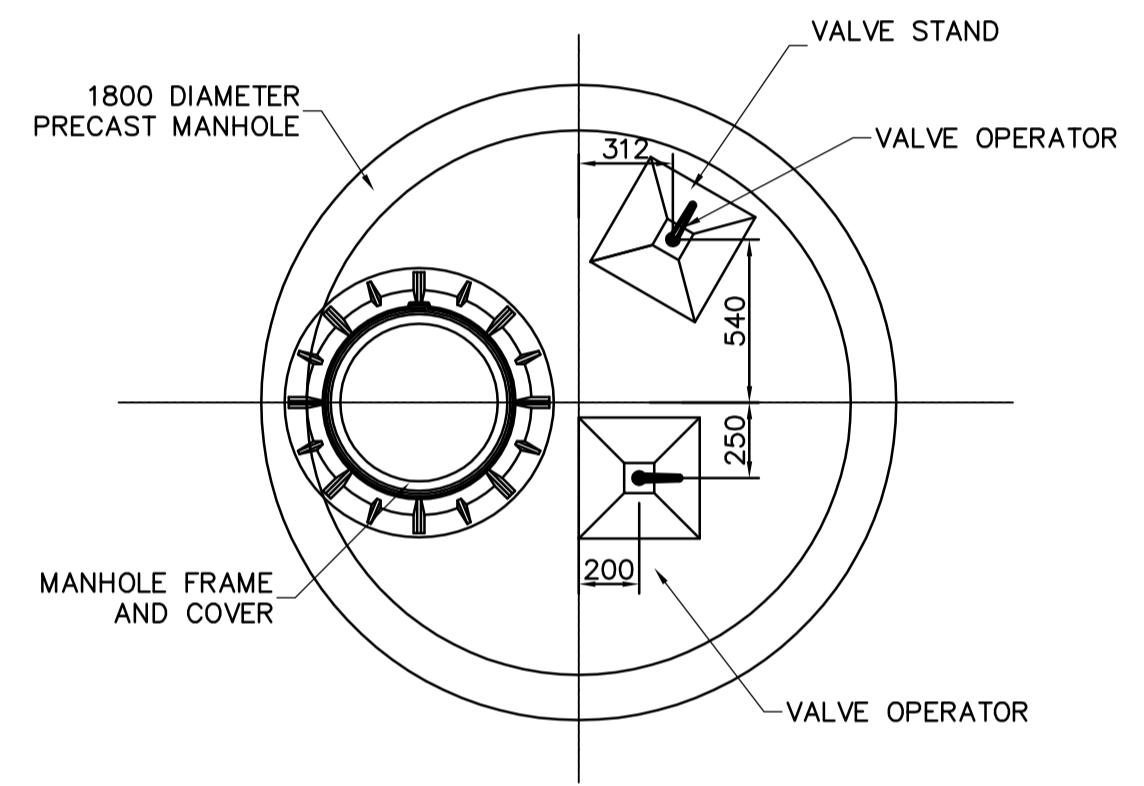
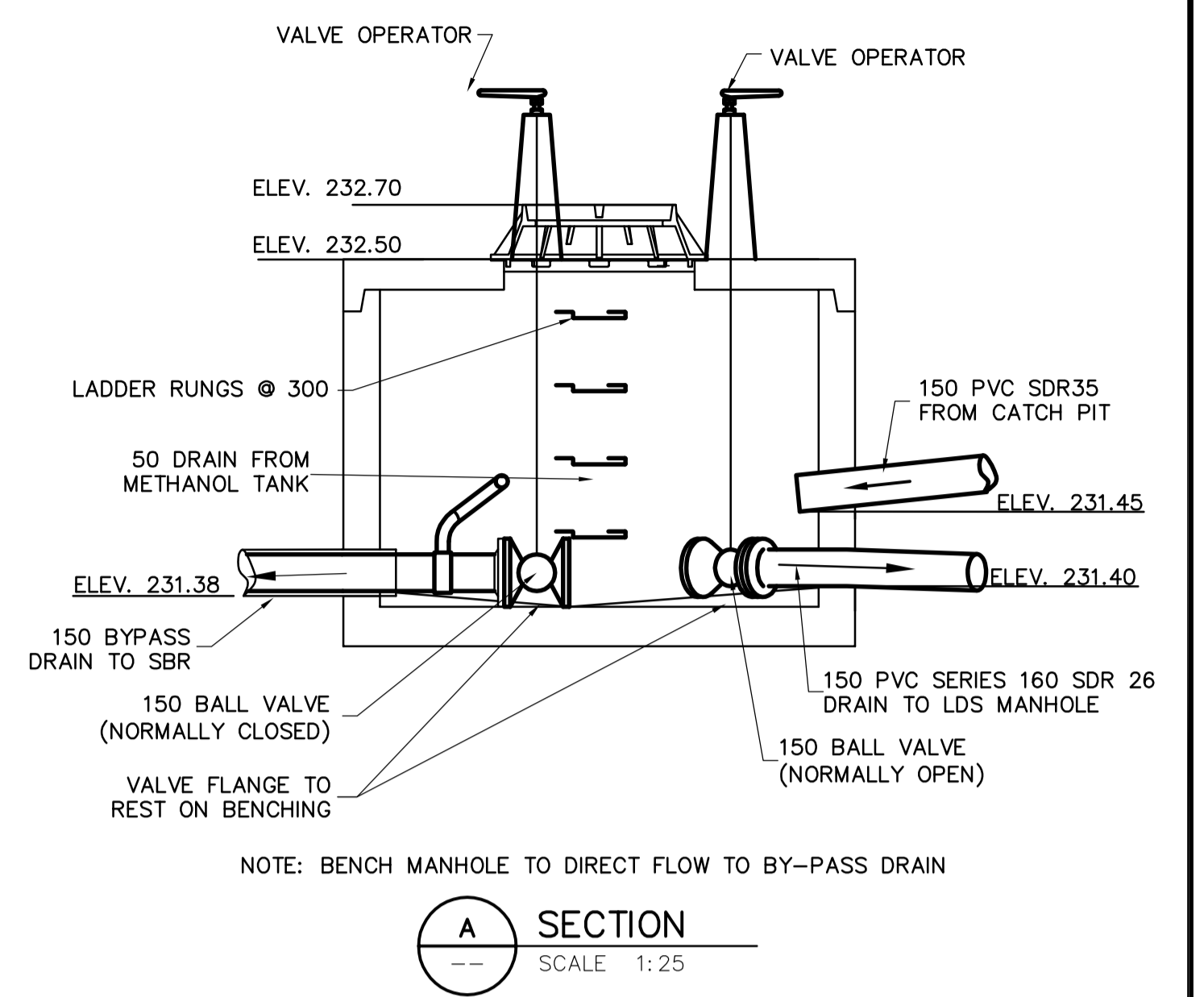


1 PLAN
C2.02 SCALE 1:100



- CONSTRUCTION NOTES:
1. ALL WORK AND MATERIALS SHALL CONFORM TO THE CITY OF WINNIPEG STANDARD CONSTRUCTION SPECIFICATIONS.
 2. RESTORE ALL SURFACES TO A CONDITION EQUAL TO OR BETTER THAN ORIGINAL CONDITION.



1 VALVE CHAMBER
SCALE 1:25

INFORMATION ONLY

150 mm WM	WATERMAIN	150 mm WM	HYDRO	HYDRO	LIGHT STANDARD
◇	HYDRANT	+	M.T.S.	BOLLARD	○B
○	VALVE	○	CONCRETE	FIRE EXTINGUISHER	⊗ FE
⊗	LAND DRAINAGE SEWER	⊗	ASPHALT	CURB STOP	⊗
300mm LDS	WASTEWATER SEWER	300mm LDS	PROPERTY LINE	TREATED CENTRATE	⊗
250mm WWS		250mm WWS	TEST HOLES	@ RAILWAY TRACK	+++ +
○	MANHOLE	●	ELEVATION	(32.750)	←
□	CATCH BASIN	⊙	TREE	RAS	←
▽	CURB INLET	▽	ANODE	WAS	←
+	JUNCTIONS	+	CONCRETE SIDEWALK	FW	←
—	CULVERT	—	FENCE	CENTRATE	←
—	GAS	—			
---	EXISTING	---	EXISTING	---	---
---	LEGEND - PLAN	---	PROPOSED	---	---

APEGM
Certificate of Authorization
Earth Tech Canada Inc.
No. 730 Expiry: April 30, 2007

13-027	W. side Main St. on the grounds of the North End B.M. Treatment Plant, Tblt. on top of Conc. pit in front of ELEV. bldg., 22.3m E. of line of most Ely. wall & 32.8m S. of most Nly. wall of main bldg. (ties to 101.) ELEV. = 231.261m
02	291-2006 CGN 11 07/09/18 LAE
01	ISSUED FOR CONSTRUCTION 06/08/30 GLG
00	ISSUED FOR TENDER 06/05/15 FC
NO.	REVISIONS
	DATE BY
	DATE 2006/01/16
	DATE 2006/05/15

EarthTech
A Tyco International Ltd. Company

ENGINEER'S SEAL
ORIGINAL SIGNED BY
K.W. FITCHETT
2006/05/15
CONSULTANT DRAWING NO.
C2.02

THE CITY OF WINNIPEG
WATER AND WASTE DEPARTMENT
ENGINEERING DIVISION
NEWPCC CENTRATE NUTRIENT TREATMENT
NITROGEN REMOVAL FACILITY
CIVIL
PART PLAN AND DETAILS
CHEMICAL UNLOADING AREAS
CITY FILE NUMBER
SHEET OF
CITY DRAWING NUMBER
1-0101C-D-C0004-001-020