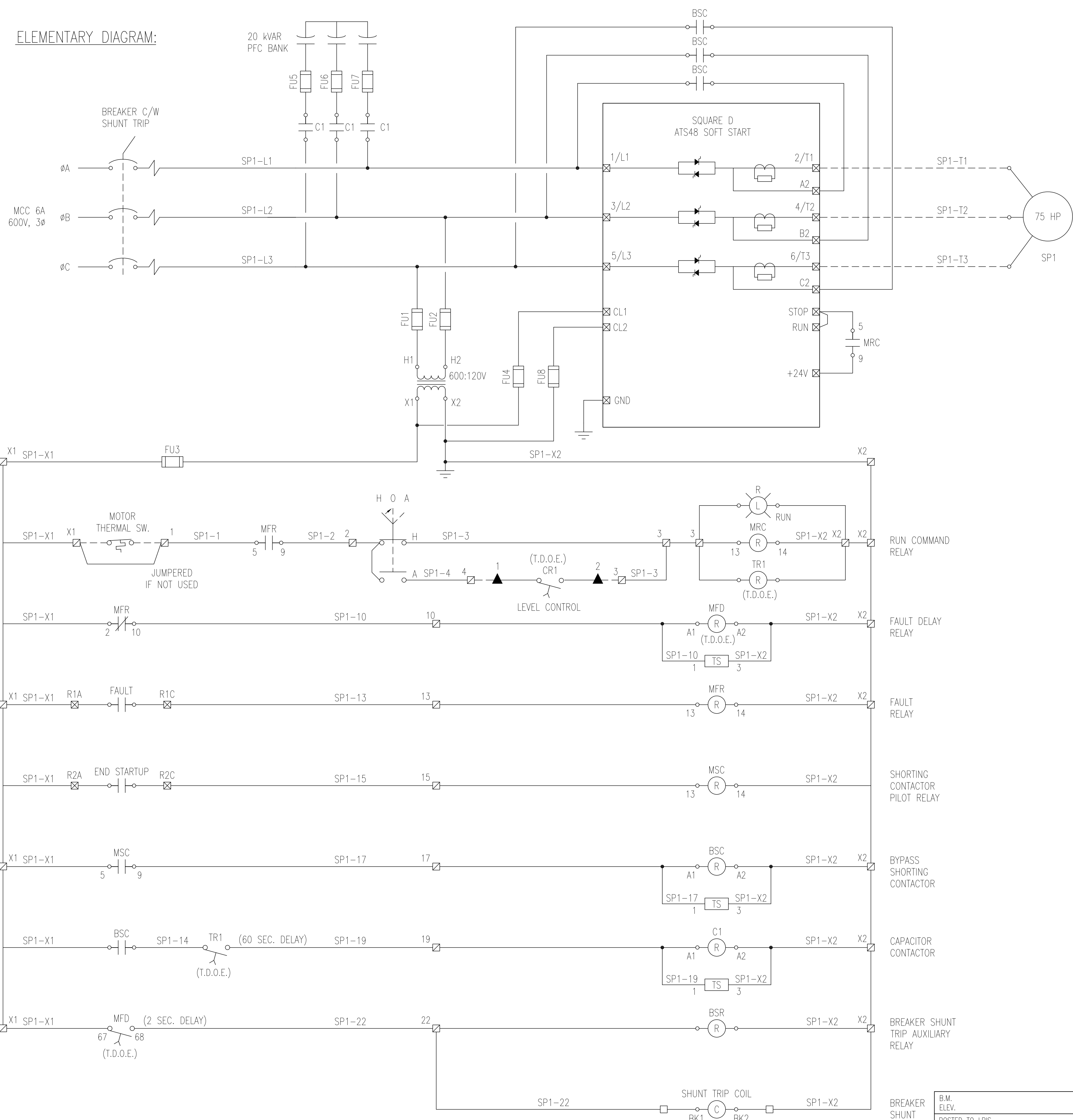


A1 SIZE - 594mm x 841mm

ELEMENTARY DIAGRAM:

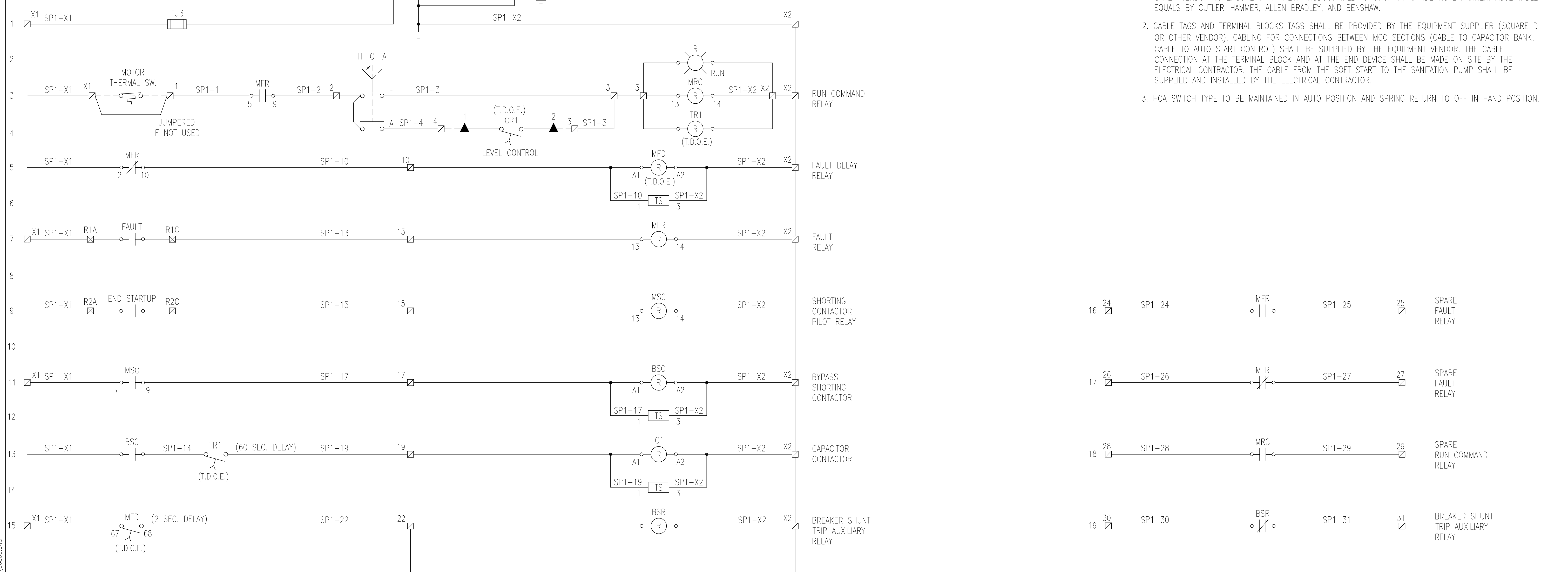


LEGEND:

- 1 MCC CONTROL ENCLOSURE
- 1/1 SOFT START ENCLOSURE TERMINAL BLOCK
- 3/3 SOFT START DEVICE TERMINAL
- BREAKER TERMINAL BLOCKS FOR SHUNT TRIP COIL
- CONTACTOR
- MOTOR THERMAL SWITCH
- INDICATING LIGHT, R = RED
- RELAY COIL
- TS TRANSIENT VOLTAGE SUPPRESSOR

NOTES:

1. THIS DRAWING REFLECTS COMPONENTS WHICH ARE TYPICAL TO A SQUARE D ALTISTART 48 SOFT STARTER C/W POWER FACTOR CORRECTION AND HAND-OFF-AUTO CONTROL. IT IS THE RESPONSIBILITY OF ANY OTHER VENDOR TO ENSURE THAT THEIR PRODUCT WILL FUNCTION IN AN IDENTICAL MANNER. ACCEPTABLE EQUALS BY CUTLER-HAMMER, ALLEN BRADLEY, AND BENSCHAW.
2. CABLE TAGS AND TERMINAL BLOCKS TAGS SHALL BE PROVIDED BY THE EQUIPMENT SUPPLIER (SQUARE D OR OTHER VENDOR). CABLING FOR CONNECTIONS BETWEEN MCC SECTIONS (CABLE TO CAPACITOR BANK, CABLE TO AUTO START CONTROL) SHALL BE SUPPLIED BY THE EQUIPMENT VENDOR. THE CABLE CONNECTION AT THE TERMINAL BLOCK AND AT THE END DEVICE SHALL BE MADE ON SITE BY THE ELECTRICAL CONTRACTOR. THE CABLE FROM THE SOFT START TO THE SANITATION PUMP SHALL BE SUPPLIED AND INSTALLED BY THE ELECTRICAL CONTRACTOR.
3. HOA SWITCH TYPE TO BE MAINTAINED IN AUTO POSITION AND SPRING RETURN TO OFF IN HAND POSITION.



APEN
 Certificate of Authorization
 SNC-Lavalin Engineers & Constructors Inc. (MB)
 No. 2365 Expiry: April 30, 2008

B.M. ELEV.	FIELD BOOK #:	SNC • LAVALIN Engineers & Constructors		SNC • LAVALIN 148 Nature Park Way Winnipeg, Manitoba Canada R3P 0X7	
POSTED TO LBIS		DESIGNED BY D.E.BECKER	CHECKED BY C. ASMUNDSON	ENGINEER'S SEAL	
		DRAWN BY D.E.BECKER	APPROVED BY		
		HOR. SCALE VERTICAL	RELEASED FOR CONSTRUCTION		
00 ISSUED FOR TENDER	2007/12/11	DATE	2007/04/12	DATE	
NO. REVISIONS	DATE	BY	FILENAME: 06800.dwg		

THE CITY OF WINNIPEG
 WATER AND WASTE DEPARTMENT

2007 PUMPING STATION UPGRADES
 INSTALLATION OF NEW PUMPING UNITS
 AND MODIFICATIONS TO THE
 BALTIMORE WASTEWATER PUMPING STATION
 ELEMENTARY DIAGRAM SANITATION PUMP: SP1

BID OPPORTUNITY
 905-2007

CITY DRAWING NUMBER	SHEET	REV.	SIZE
06800	7 OF 16	7 00	D

LAST SAVE: 2007/12/11 - 3:50pm
 PATH: M:\113046\ENGY47ELE\DD - General DWG\06800.dwg

DRAWING NUMBER	REFERENCE DRAWINGS
----------------	--------------------