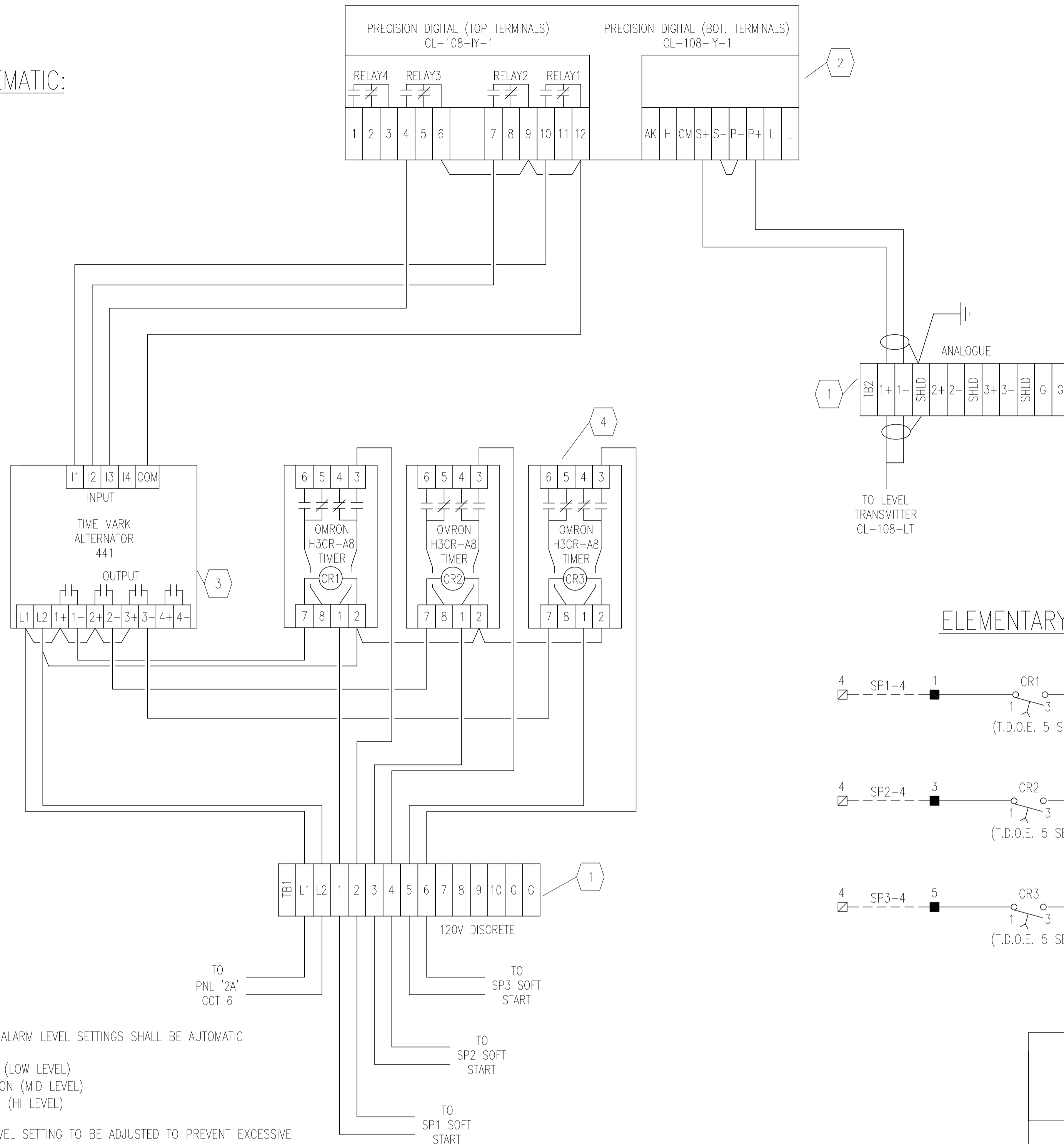


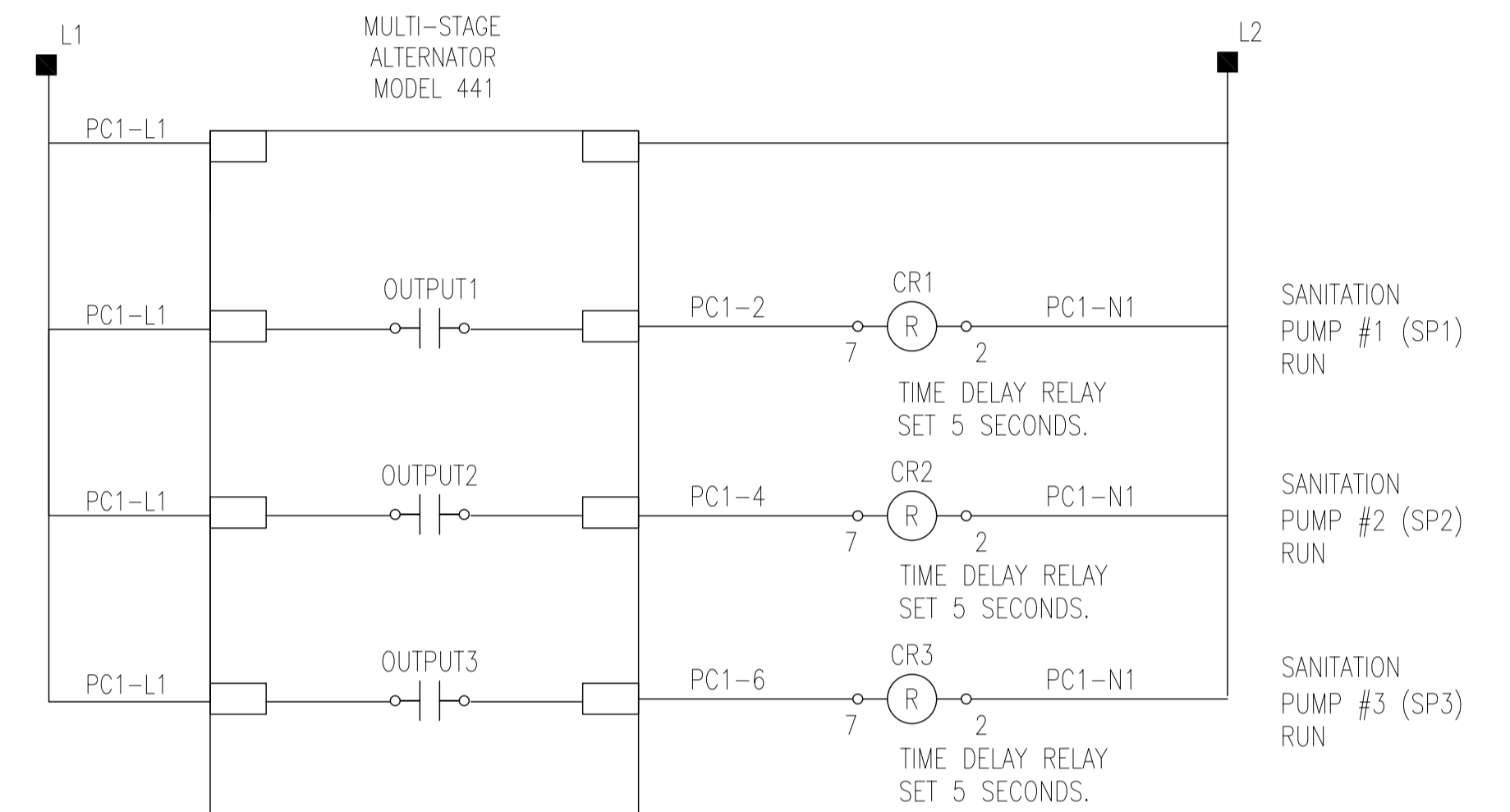
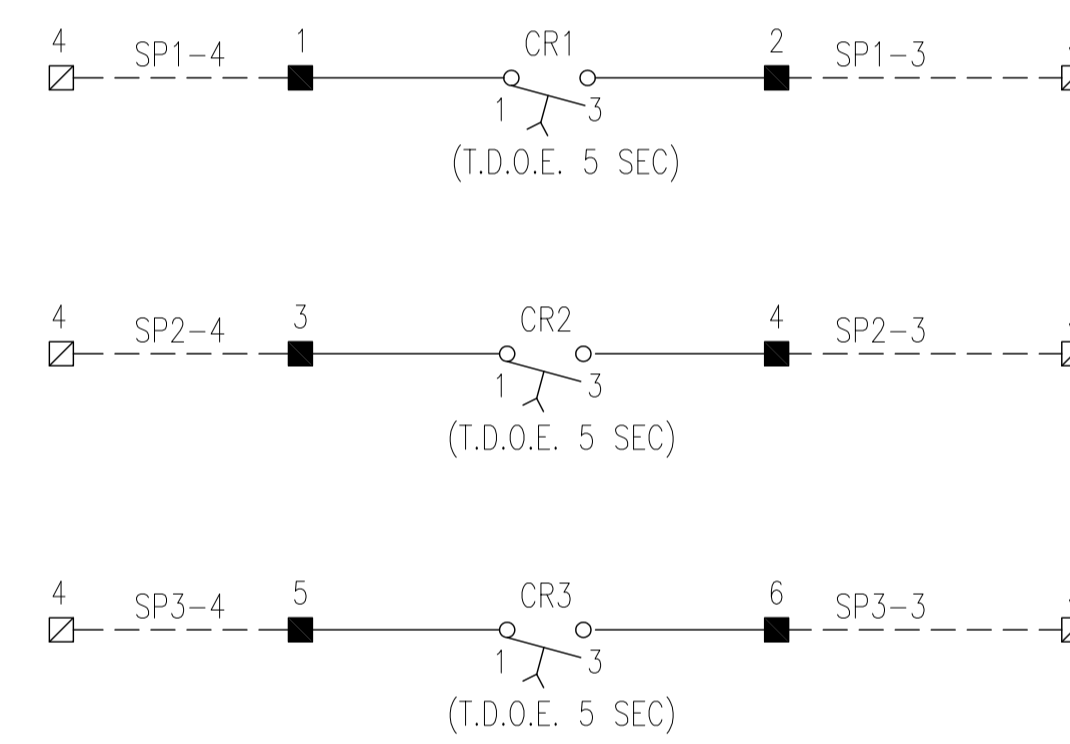
WIRING SCHEMATIC:



BILL OF MATERIAL				
ITEM	QTY	DESCRIPTION	MANUFACTURER & MODEL	CATALOG NUMBER
1	21	SAK 4/35 TERMINALS	WEIDMULLER SAK4	0443660000
	2	TERMINAL END PLATE	WEIDMULLER	0117960000
	AS REQ'D	TERMINAL MARKERS	WEIDMULLER	0468260000
	4	TERMINAL END HOLDER	WEIDMULLER EW35	0383560000
	AS REQ'D	TS35 MOUNTING RAIL	WEIDMULLER	0383400000
	4	GROUND, PE TERMINALS	WEIDMULLER	0661160000
2	1	PRECISION DIGITAL UNIVERSAL PROCESS METER, P/N PD690-3-17	EXISTING - RELOCATE	EXISTING - RELOCATE
3	1	TIME MARK, MODEL 441 MULTI-STAGE ALTERNATOR	TIME MARK	MODEL 441
4	3	120V, SOLID STATE POWER ON-DELAY TIMER	OMRON	MK2PN-S
	1	RELAY OCTAL BASE	OMRON	PF083A-E
	1	RELAY HOLD DOWN CLIP	OMRON	PFC-A1

* ALL MATERIALS TO BE SUPPLIED BY CONTRACTOR AS NEW UNLESS INDICATED OTHERWISE

ELEMENTARY DIAGRAM:



NOTES:

- THE REUSED PRECISION DIGITAL ALARM LEVEL SETTINGS SHALL BE AUTOMATIC RESETTING AND ADJUSTED TO:
RELAY 1: 1ST STAGE, FIRST ON (LOW LEVEL)
RELAY 2: 2ND STAGE, SECOND ON (MID LEVEL)
RELAY 3: 3RD STAGE, THIRD ON (HI LEVEL)
- DEADBAND FOR EACH ALARM LEVEL SETTING TO BE ADJUSTED TO PREVENT EXCESSIVE CYCLING OF PUMPS.
- THE PUMP 'ON' LEVEL POINT (1ST STAGE, 2ND STAGE, 3RD STAGE) SHALL BE SET SO THAT DURING THE 2ND STAGE 10 SECOND PUMP DELAY, THE 3RD STAGE IS NOT TRIGGERED.
- OMRON TIMERS SHALL BE SET TO TIME DELAY ON ENERGIZATION (T.D.O.E).
- PROVIDE WIRE TAGS ON BOTH ENDS OF EACH WIRE, AS PER THE ELEMENTARY DIAGRAM.
- ALL TERMINAL BLOCKS AND DEVICES SHOWN ARE TO BE SUPPLIED AND INSTALLED BY THE CONTRACTOR WITHIN MCC '6A' CELL '3A'. THE CONTRACTOR SHALL PROVIDE NEW DEVICES AS PER THE BILL OF MATERIALS. RE-LOCATE, RE-PROGRAM, AND RE-USE THE EXISTING PRECISION DIGITAL PROCESS METER.
- IT IS THE RESPONSIBILITY OF THE CONTRACTOR TO SITE CONFIRM ALL EXISTING ALARM CABLES AND TERMINATE THEM AS REQUIRED IN THE NEW MCC. PROVIDE 6 PAIR #16 CIC, TSP IN 21mm CONDUIT TO THE SCADA REMOTE ANNUNCIATOR.

LEGEND:

- SOFT START ENCLOSURE TERMINAL BLOCK
- PRECISION DIGITAL TERMINAL BLOCK
- ALTERNATOR TERMINAL BLOCK
- MCC CONTROL ENCLOSURE TERMINAL
- CONTACTOR
- RELAY
- TIME DELAY RELAY
- TIME DELAY CONTACTOR

B.M. ELEV.	FIELD BOOK #:	SNC-LAVALIN 148 Nature Park Way Winnipeg, Manitoba Canada R3P 0X7		ENGINEER'S SEAL
POSTED TO LBIS		DESIGNED BY D.E. BECKER	CHECKED BY C. ASMUNDSON	THE CITY OF WINNIPEG WATER AND WASTE DEPARTMENT 2007 PUMPING STATION UPGRADES INSTALLATION OF NEW PUMPING UNITS AND MODIFICATIONS TO THE BALTIMORE WASTEWATER PUMPING STATION ELEMENTARY DIAG. & WIRING SCHEMATIC MCC 6A CTRL ENCL.
		DRAWN BY D.E. BECKER	APPROVED BY	
		HOR. SCALE 1:1 VERTICAL	RELEASED FOR CONSTRUCTION	
00 ISSUED FOR TENDER	2007/12/11	DATE 2007/05/01	DATE	BID OPPORTUNITY 905-2007
NO. REVISIONS	DATE	BY	FILENAME: 06805.dwg	CITY DRAWING NUMBER 06805 12 OF 16 SHEET REV. SIZE 12 00 D

