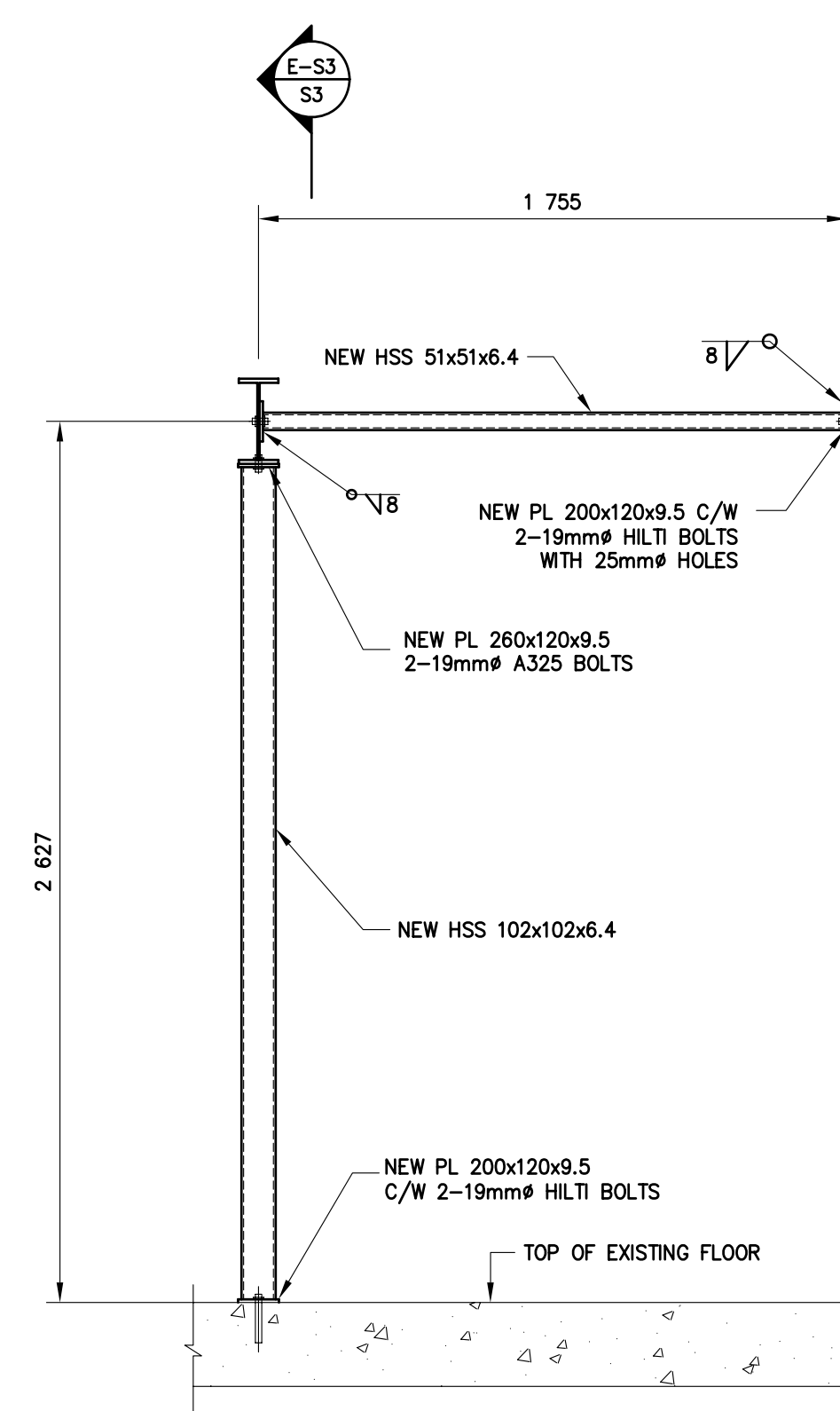
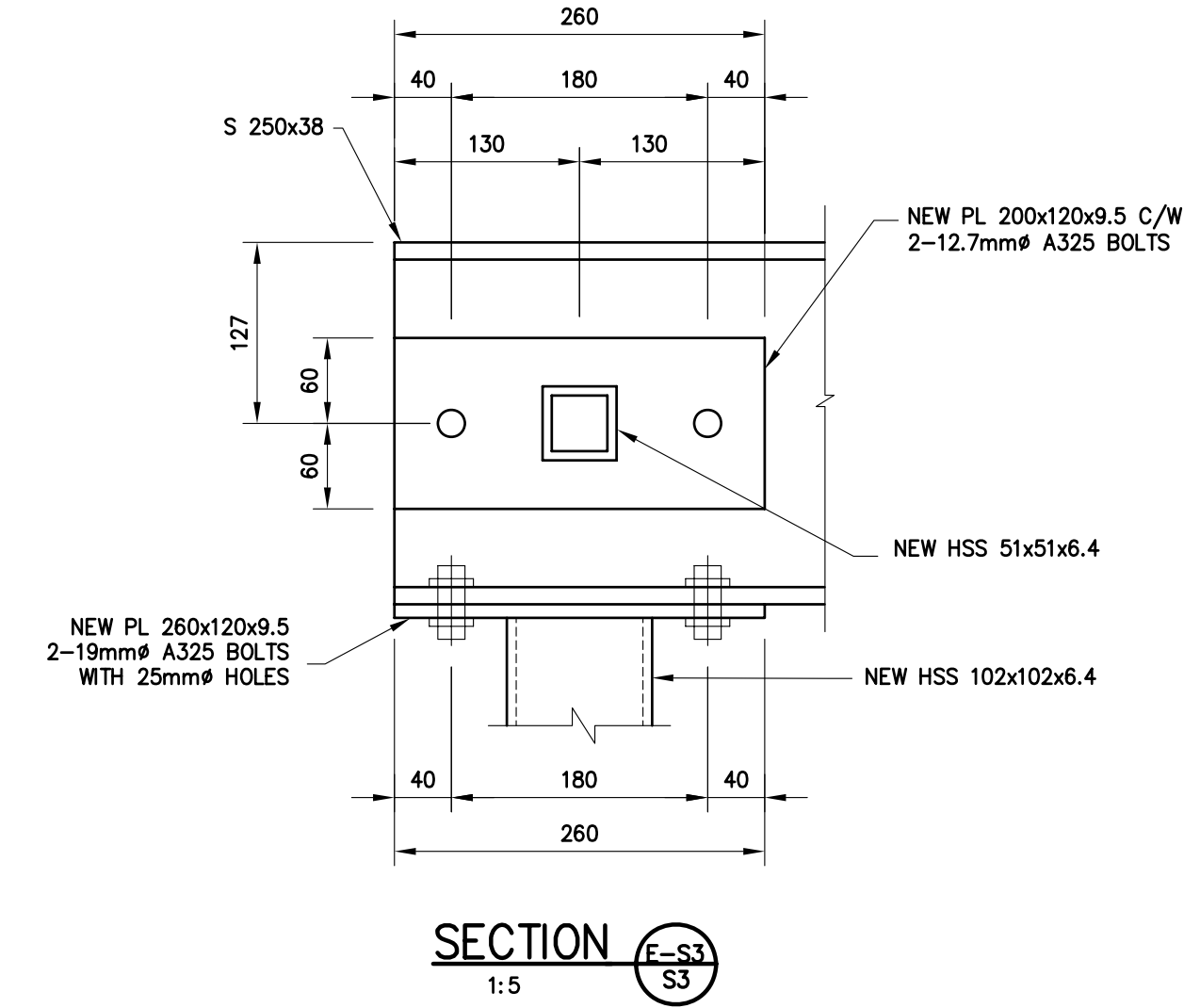


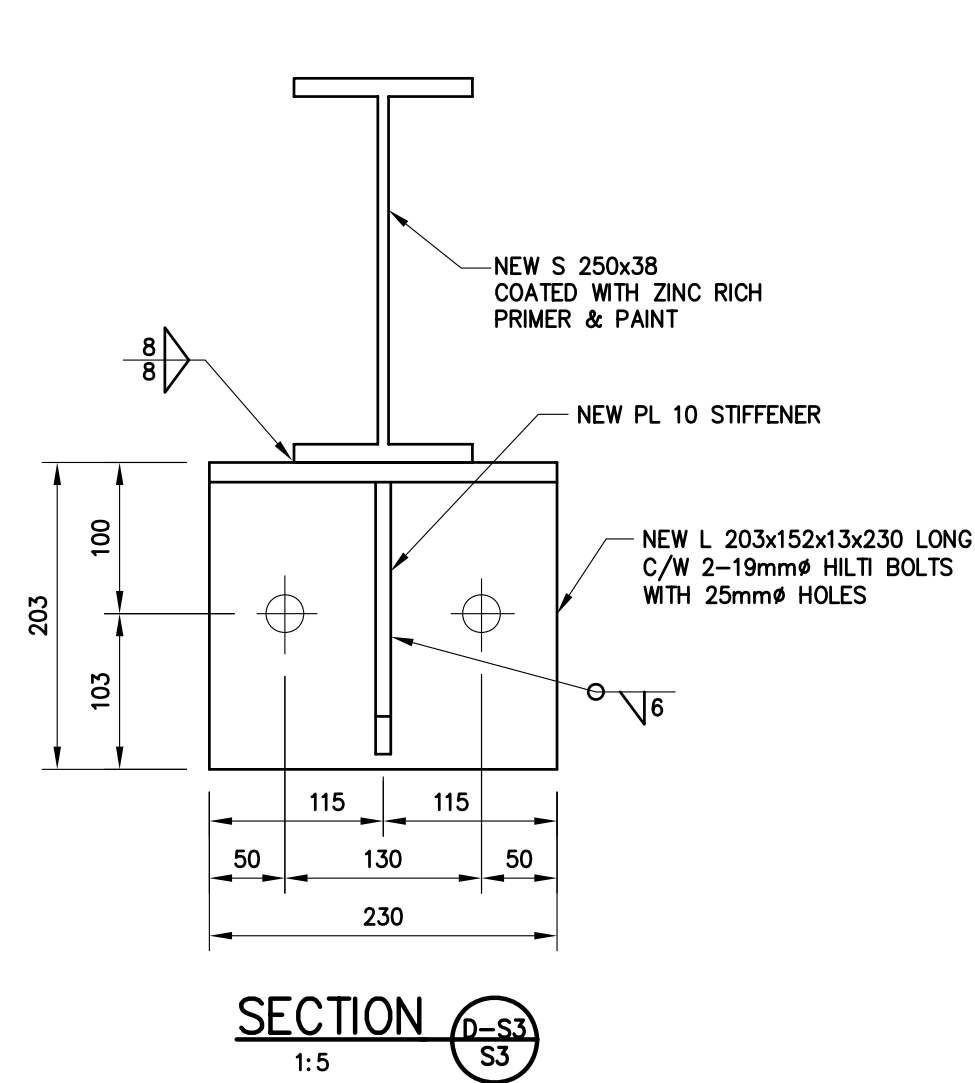
SECTION A-S3 S3
1:20



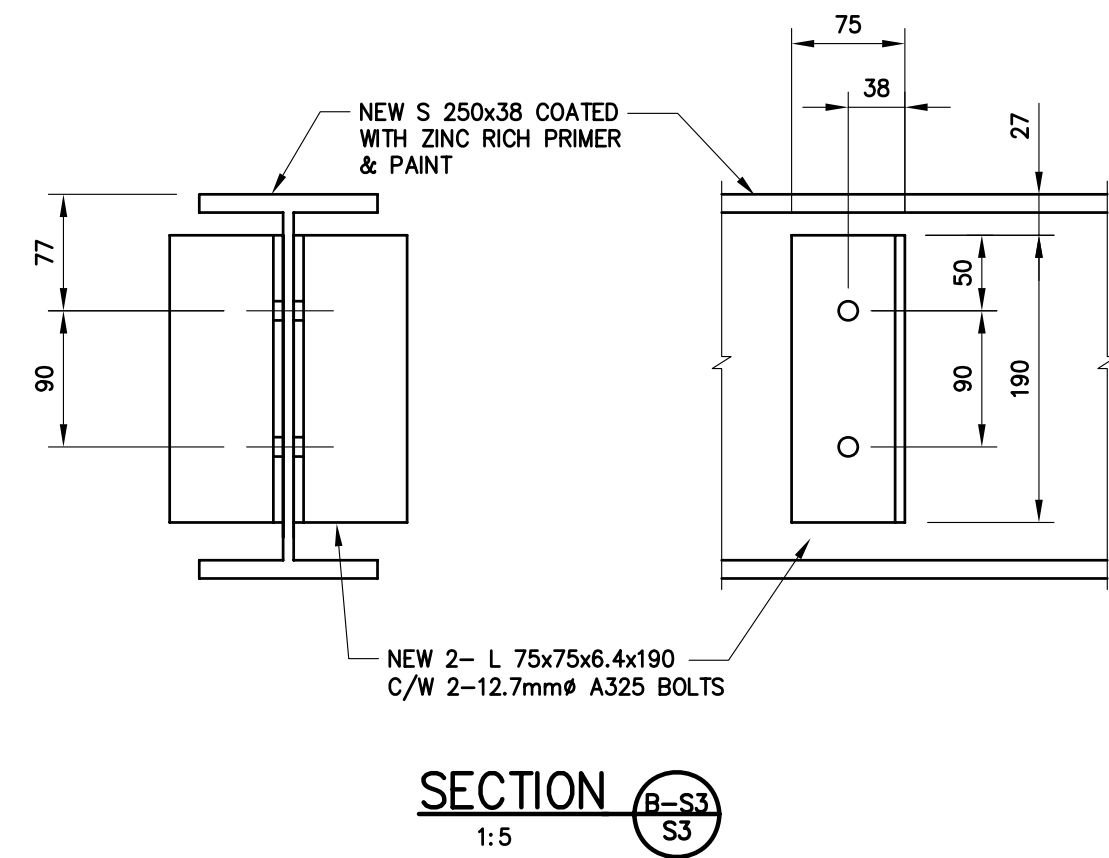
SECTION C-S3 S3
1:20



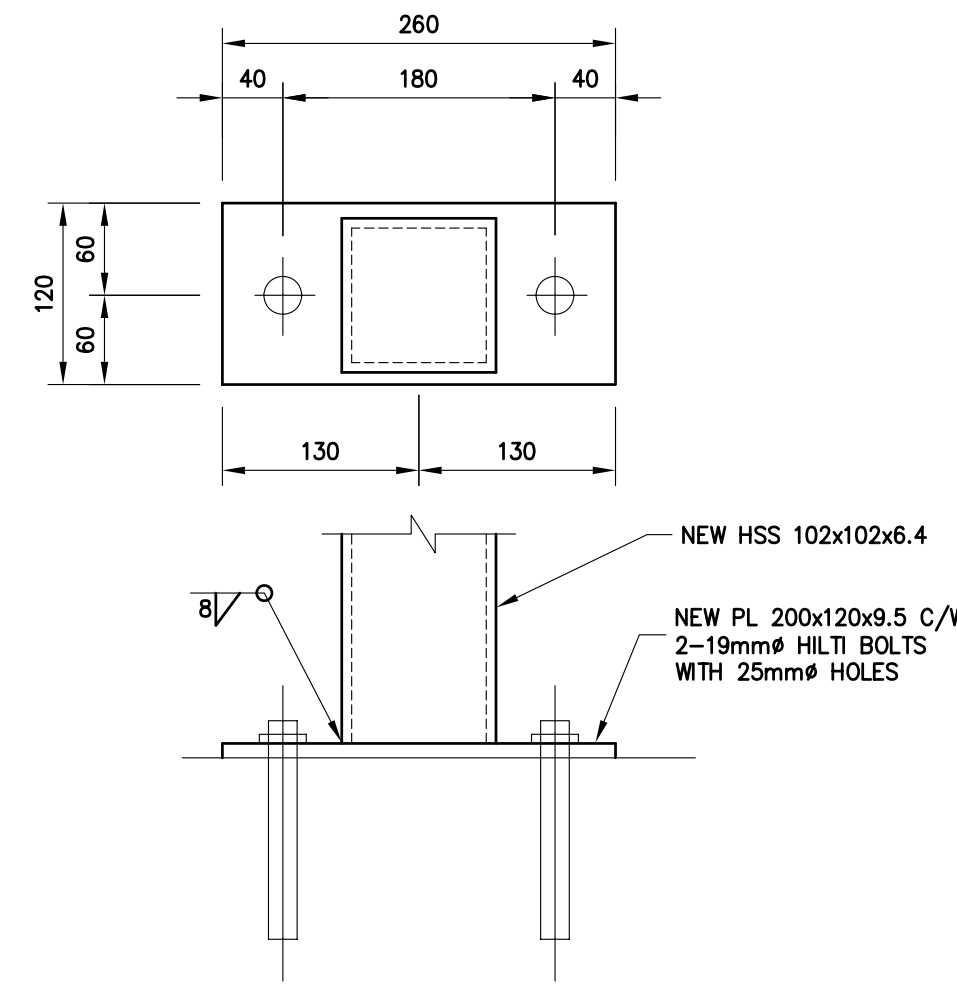
SECTION E-S3 S3
1:5



SECTION D-S3 S3
1:5



SECTION B-S3 S3
1:5



DETAIL I-S3 S3
1:5

P:\11001 - 41932\41932 Baltimore Wastewater Pumping Station Modifications\Drawings\41932 Baltimore Pumping Station Mod\071207.dwg - abc.col.68M
 Date: 10/20/07 - 3:08pm
 P:\11001 - 41932\41932 Baltimore Wastewater Pumping Station Modifications\Drawings\41932 Baltimore Pumping Station Mod\071207.dwg - abc.col.68M

METRIC
 WHOLE NUMBERS INDICATE MILLIMETRES
 DECIMALIZED NUMBERS INDICATE METRES



A-B
 C
 A = DETAIL/SECTION No.
 B = DRAWING WHERE SHOWN
 C = DRAWING WHERE TAKEN

NO.	REVISIONS	DATE	BY
1	-	-	-

 ND LEA Inc. Suite 111 - 93 Lombard Ave. Winnipeg, MB R3B 3B1 T. 204.943.3173 F. 204.943.4948 www.mmm.ca			
DESIGNED BY	DM	CHECKED BY	GK
DRAWN BY	TR	APPROVED BY	-
HOR. SCALE	AS SHOWN	RELEASED FOR CONSTRUCTION	
DATE	2007 12 07	DATE	2007 12 10

ENGINEER'S SEAL
 ORIGINAL SEALED & SIGNED
 ON 07 12 10
 BY JM LUKASHENKO
 BID OPPORTUNITY 905-2007
 PLOT DATE: 2007 12 10

 THE CITY OF WINNIPEG WATER AND WASTE DEPARTMENT	
2007 PUMPING STATION UPGRADES INSTALLATION OF NEW PUMPING UNITS AND MODIFICATIONS TO THE BALTIMORE PUMPING STATION COLUMN & BEAM DETAILS	
CONSULTANT DRAWING NUMBER	41932-S3
SHEET	16 OF 16
CITY DRAWING NUMBER	06809