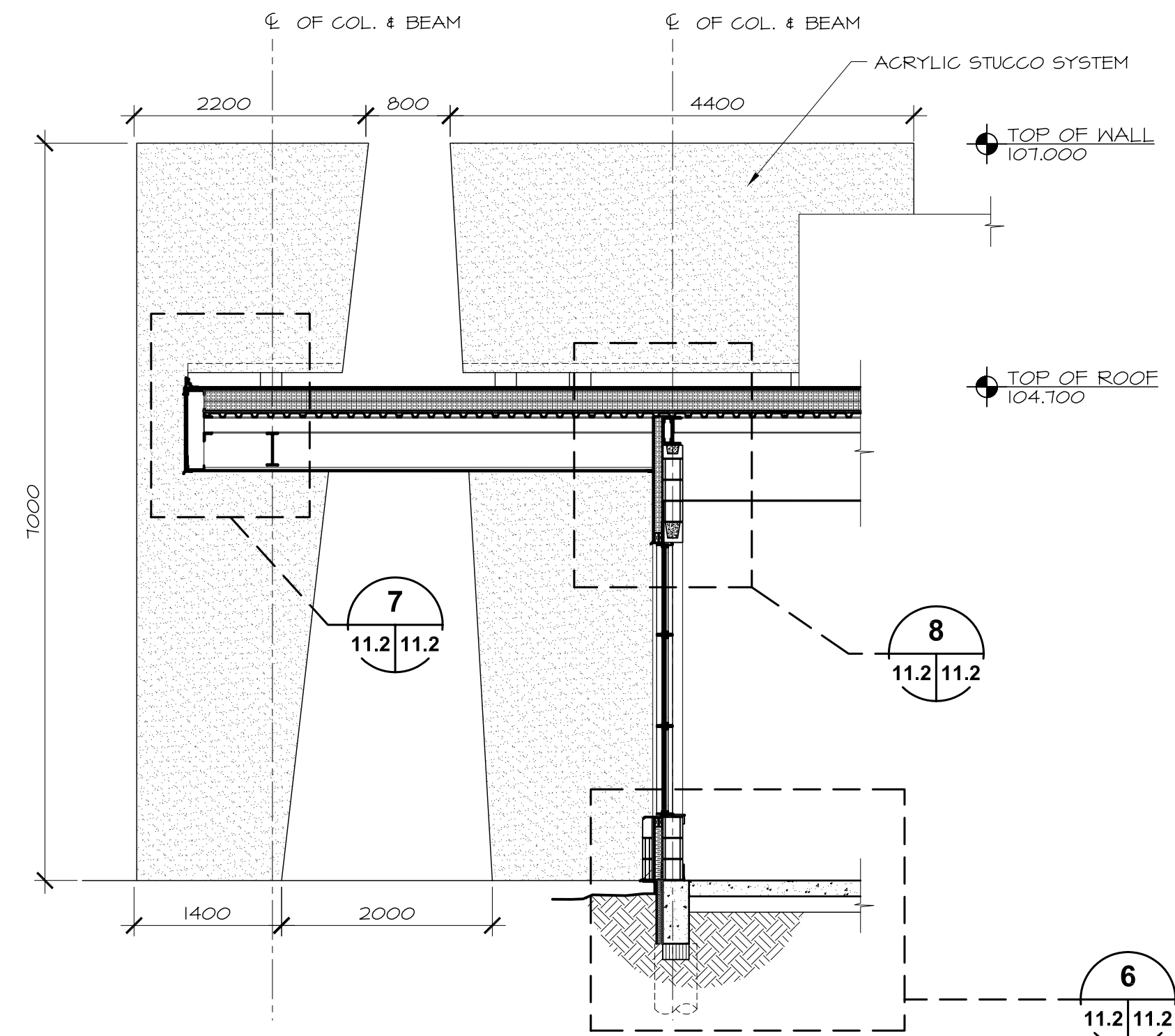
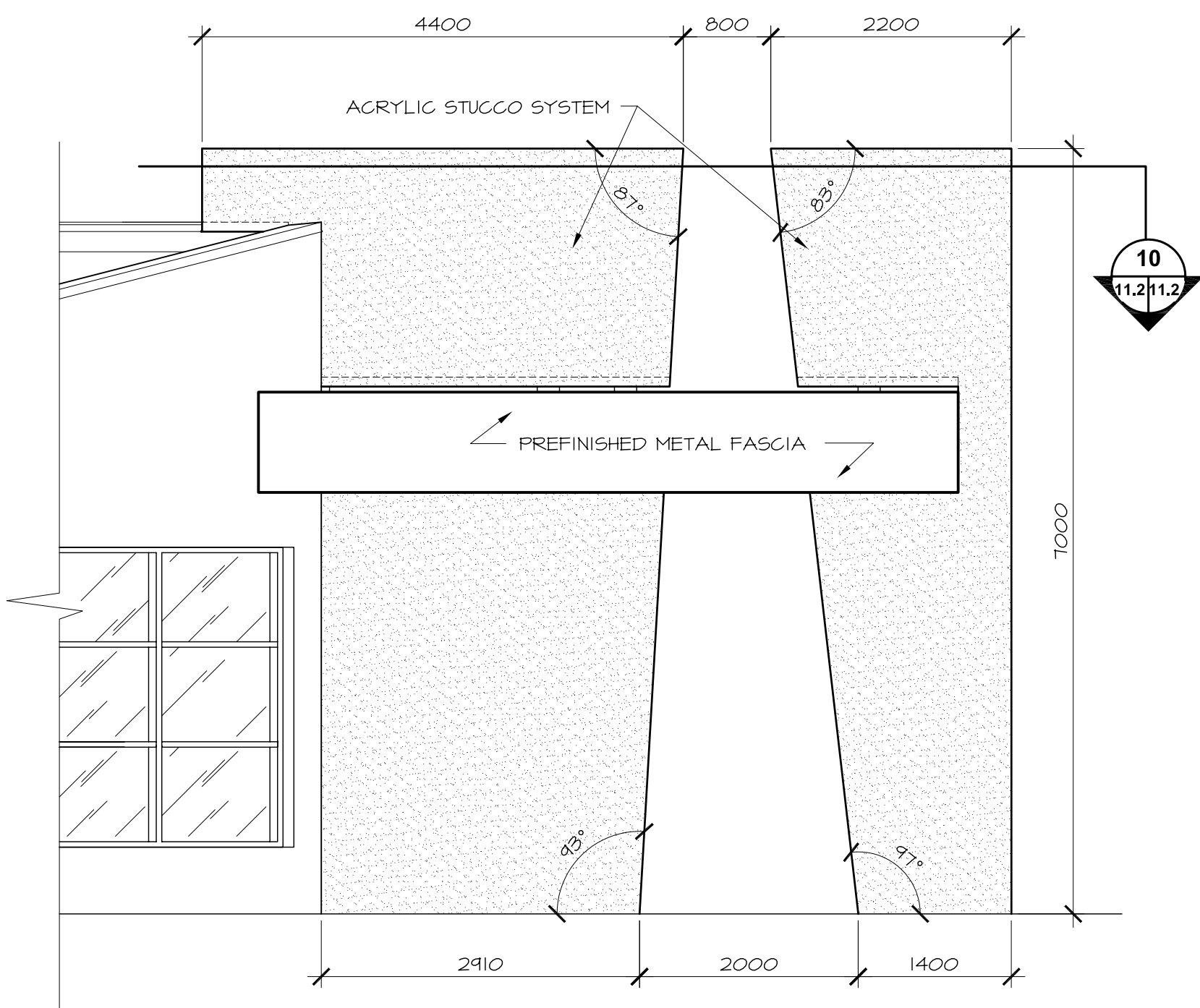


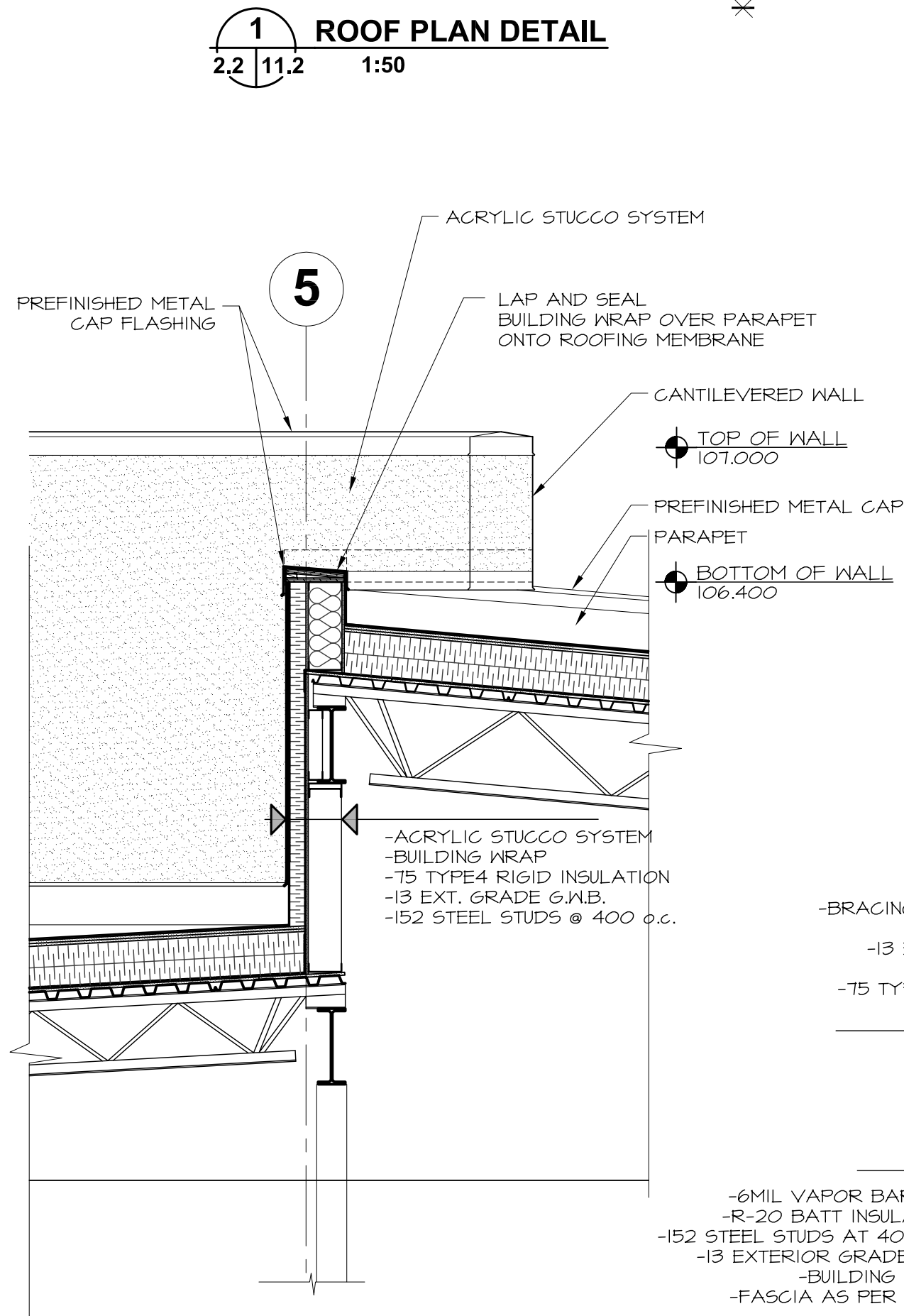
**1 ROOF PLAN DETAIL**  
11.2|11.2 1:50



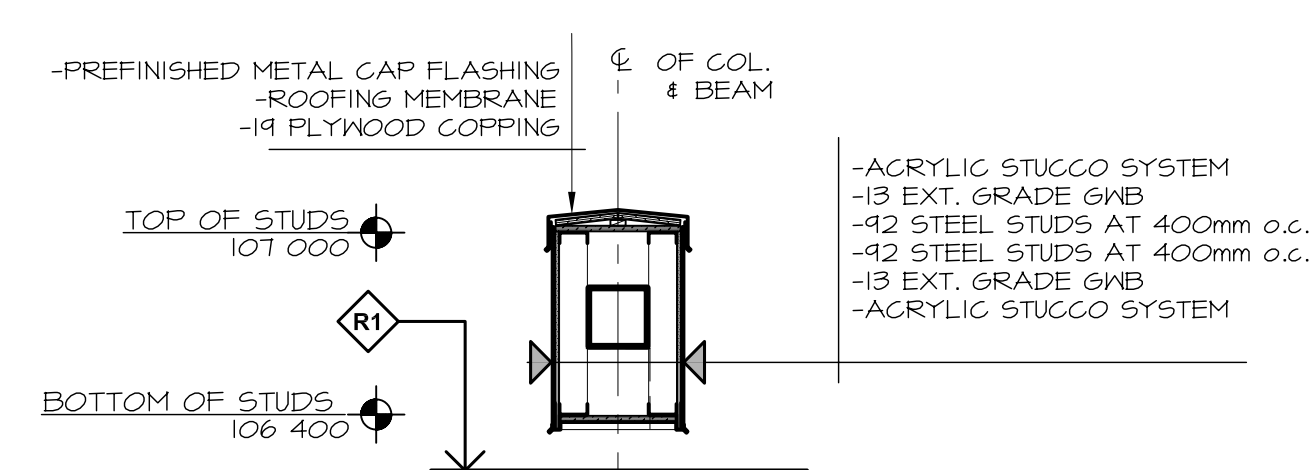
**2 ROOF SECTION**  
11.2|11.2 1:50



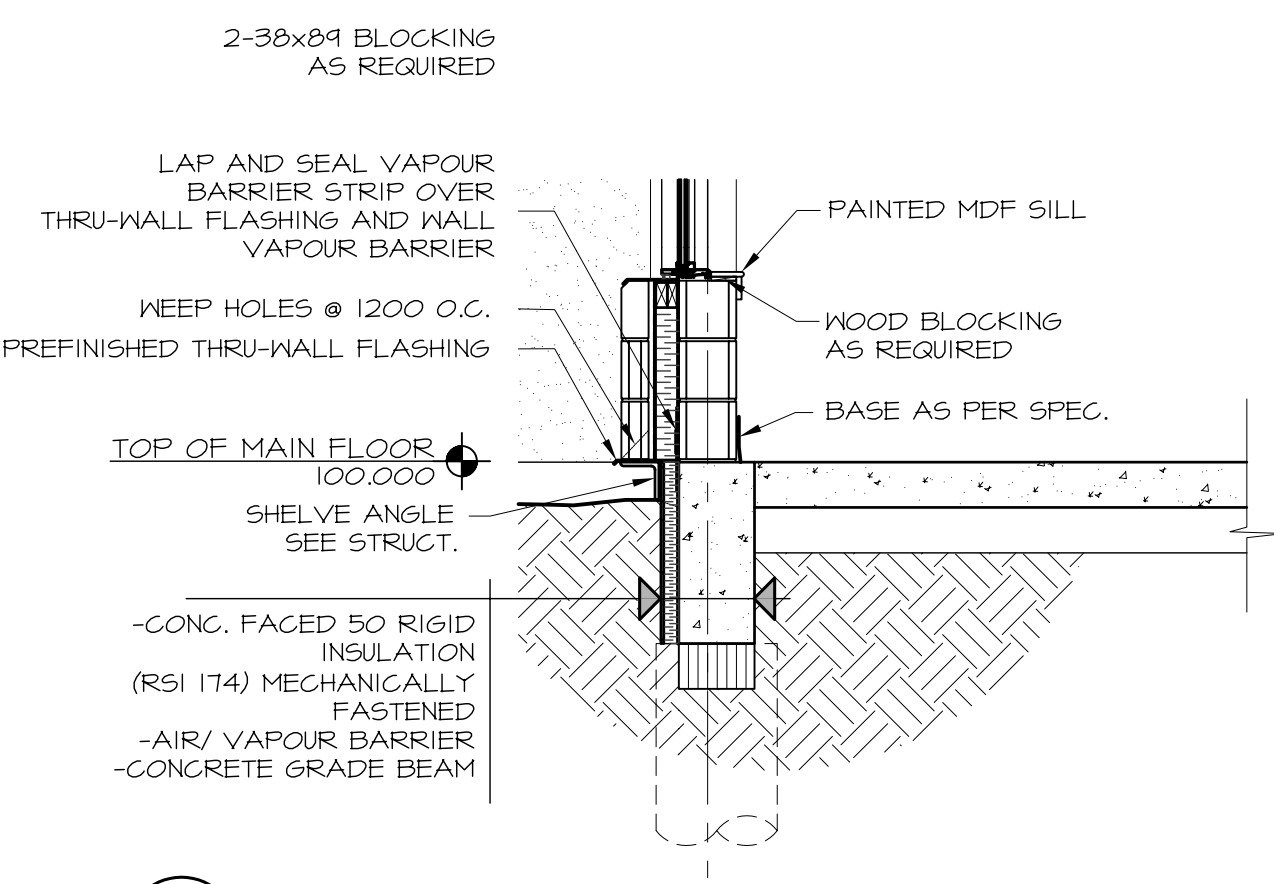
**9 ELEVATION DETAIL**  
11.2|11.2 1:50



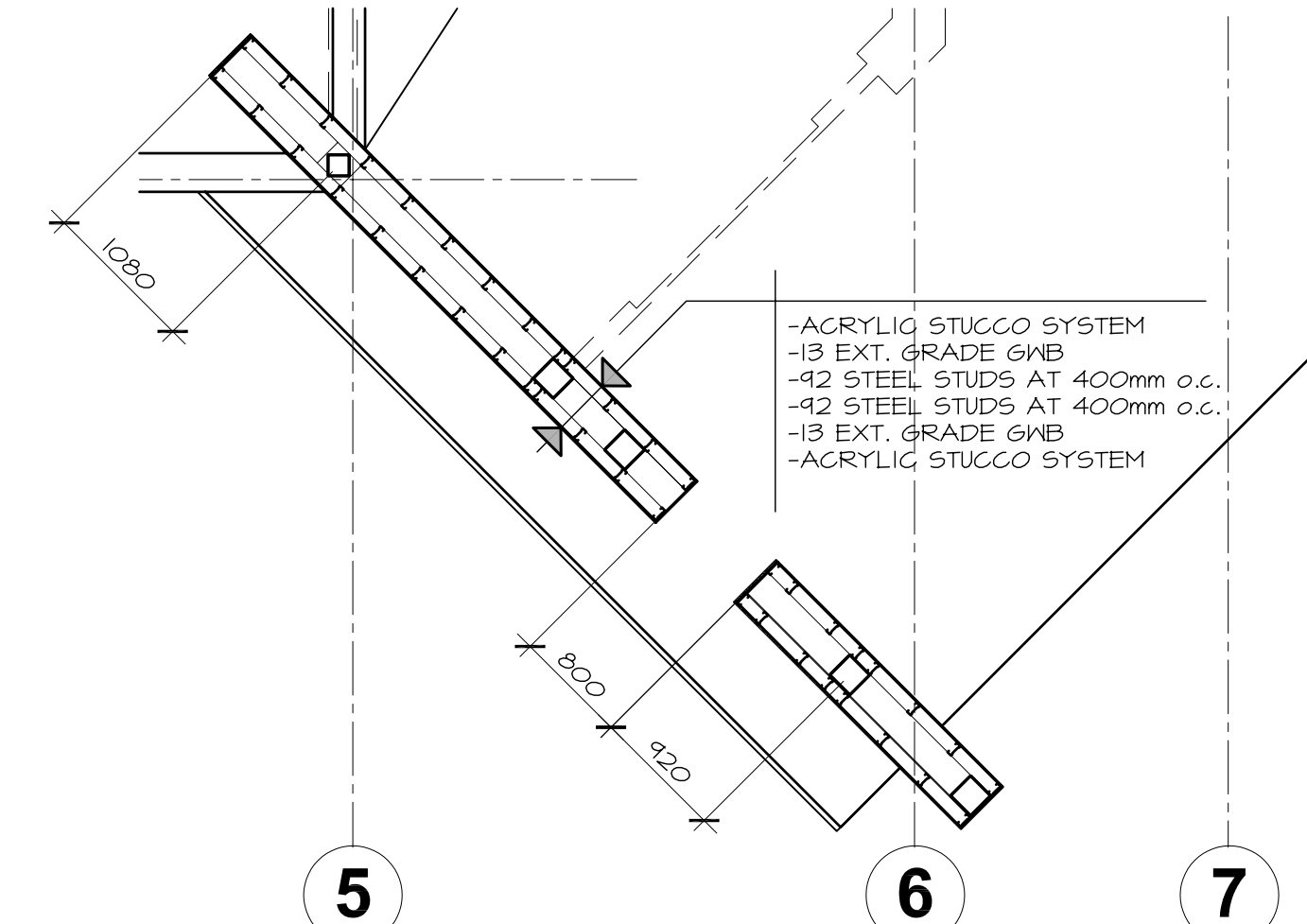
**3 ROOF SECTION**  
11.2|11.2 1:25



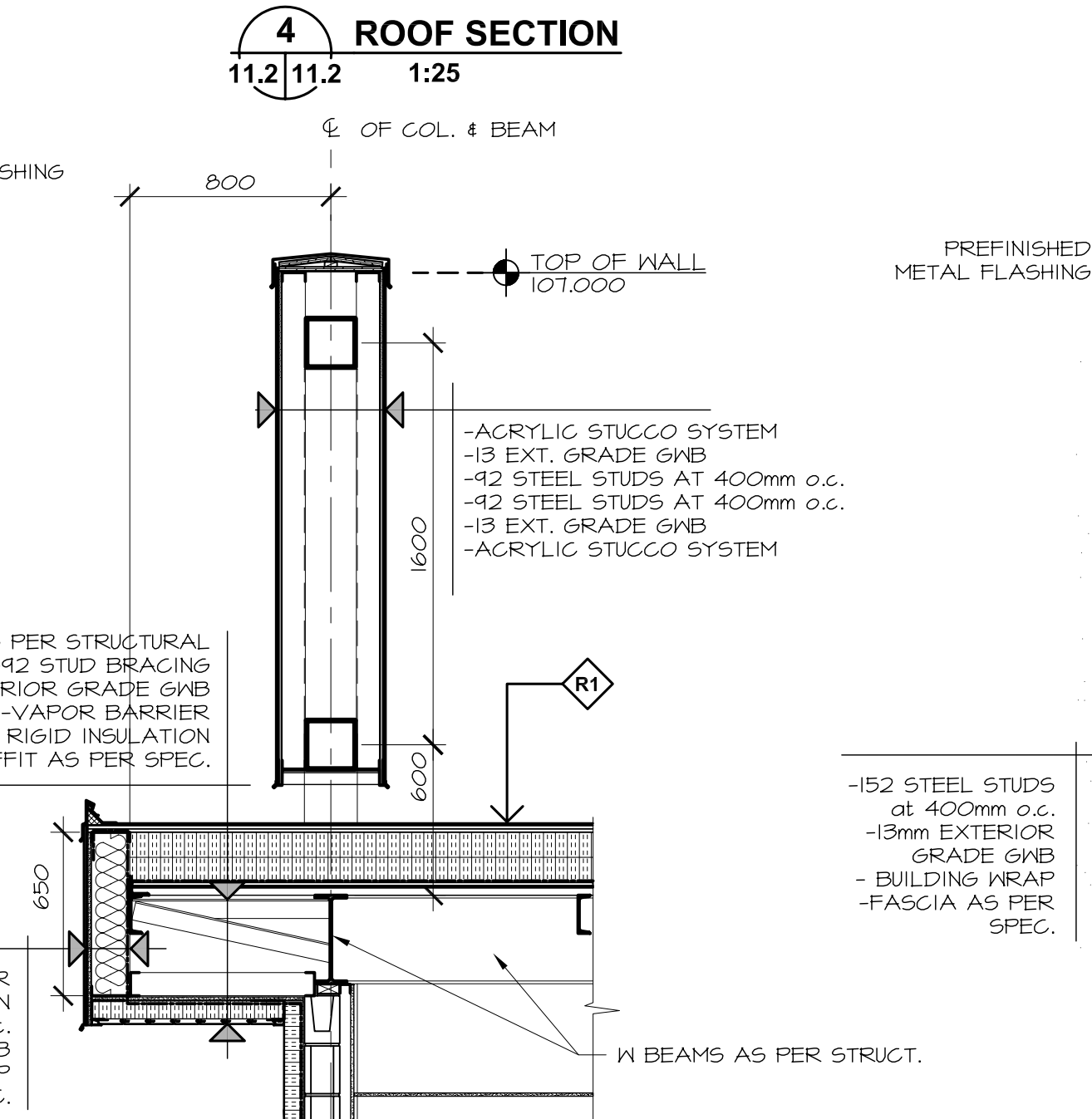
**4 ROOF SECTION**  
11.2|11.2 1:25



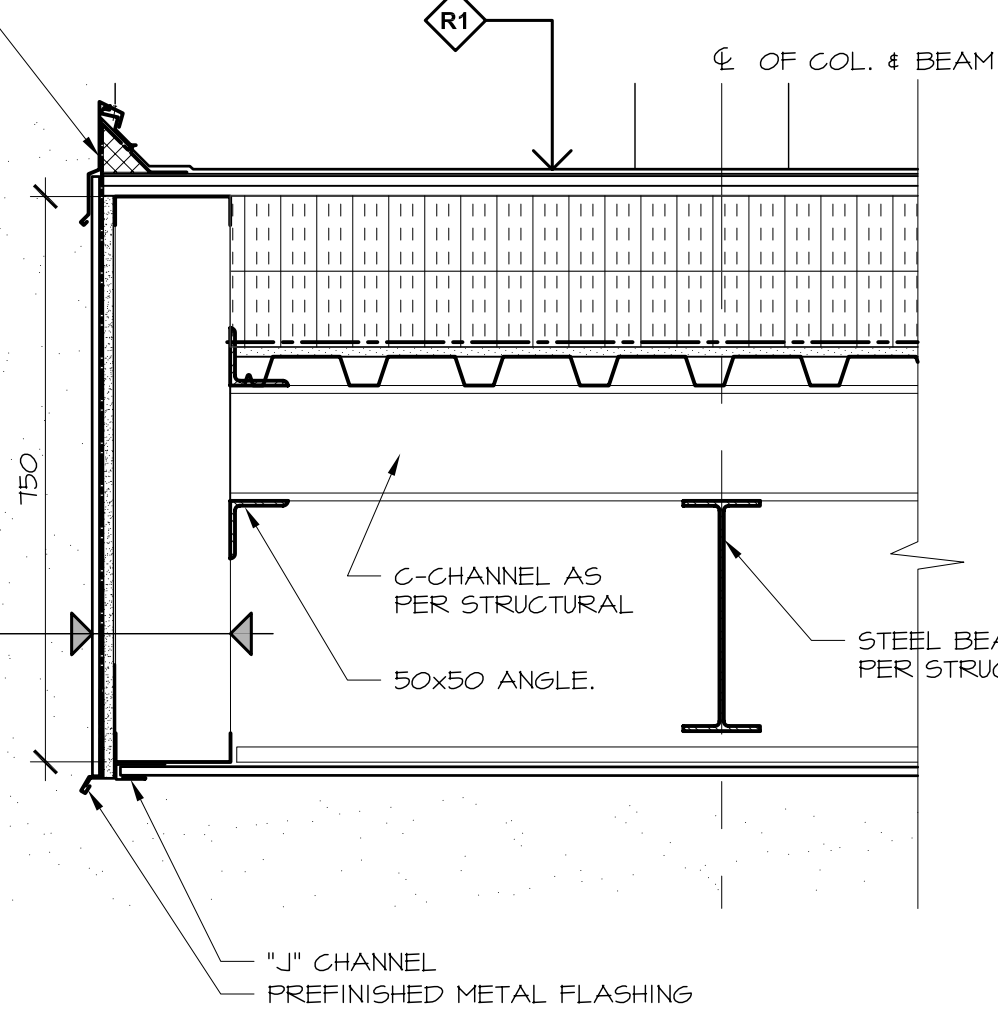
**6 WALL DETAIL**  
11.2|11.2 1:25



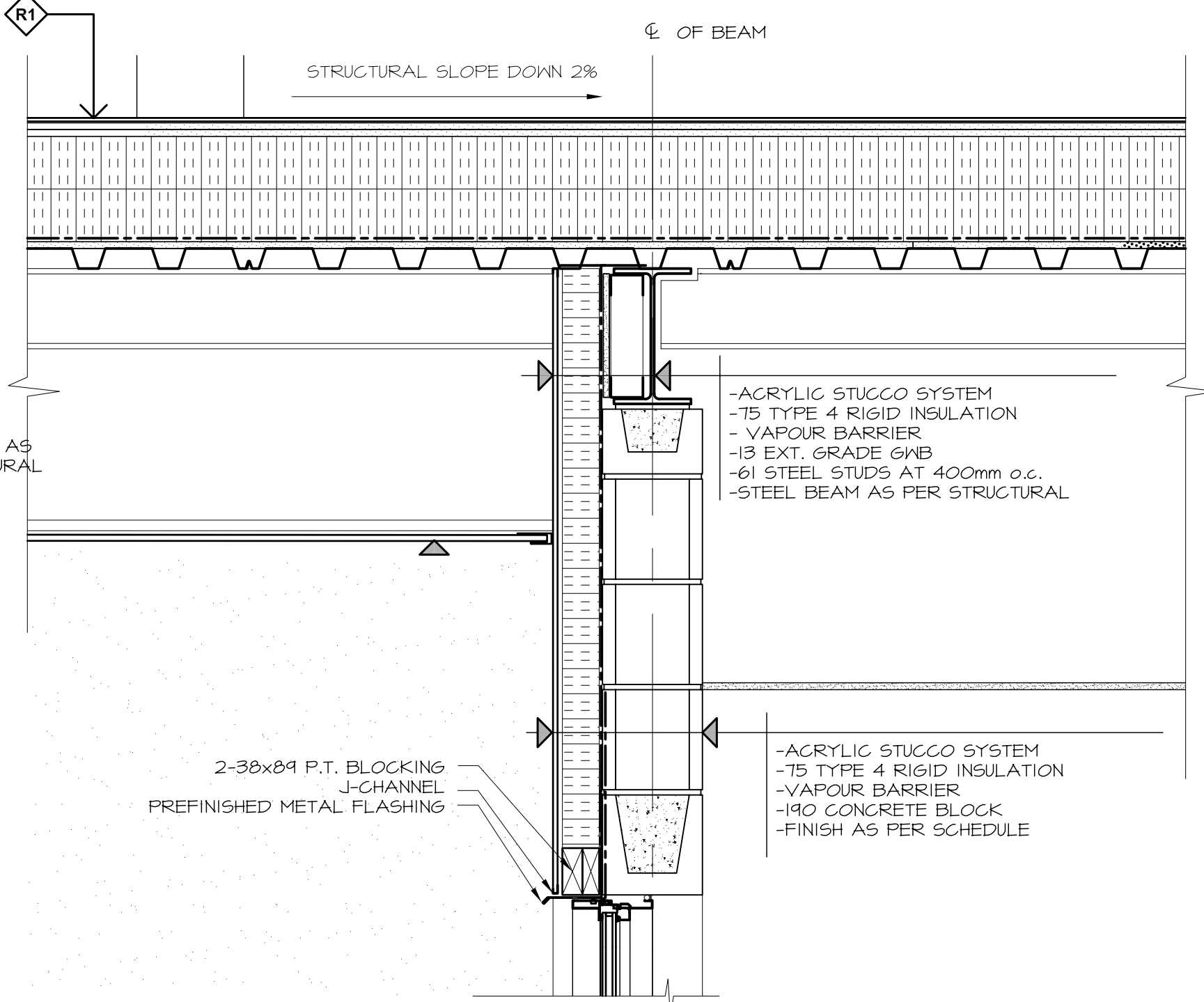
**10 PLAN DETAIL**  
11.2|11.2 1:25



**5 ROOF SECTION**  
11.2|11.2 1:25



**7 ROOF SECTION**  
11.2|11.2 1:10



**8 ROOF SECTION**  
11.2|11.2 1:10

**NOT TO BE USED FOR CONSTRUCTION**  
(Remove when is final)

NO.	REVISION	DATE	BY
1	ISSUED FOR TENDER	25/03/2008	JS
0	99% ISSUED FOR REVIEW	11/03/2008	JS

THIS DRAWING IS THE EXCLUSIVE PROPERTY OF THE ARCHITECT AND CAN BE REPRODUCED ONLY WITH THE PERMISSION OF THE ARCHITECT IN WHICH CASE THE REPRODUCTION MUST BEAR THE NAME OF THE ARCHITECT.  
THIS DRAWING SHALL NOT BE SCALED. FOLLOW GIVEN DIMENSIONS ONLY.  
THE CONTRACTOR SHALL SATISFY HIMSELF THAT ALL DIMENSIONS AND INFORMATION SHOWN ARE CORRECT.  
PRIOR TO COMMENCEMENT OF WORK REPORT ANY DISCREPANCIES TO THE ARCHITECT.  
VARIATIONS AND MODIFICATIONS TO WORK SHOWN WILL NOT BE ALLOWED WITHOUT WRITTEN PERMISSION OF THE ARCHITECT.

CONSULTANT



**CALNITSKY ASSOCIATES ARCHITECTS**

**ARCHITECTURE** | **INTERIOR DESIGN**  
124 Nassau Street North | Winnipeg, Manitoba R3L 2H1  
Tel: (204) 453-6441 | Fax: (204) 453-3392  
E-mail: caa@escape.ca

**PROJECT TITLE**  
**NORBERRY GLENLEE COMMUNITY CENTRE EXPANSION**  
26 Molgat Avenue, Winnipeg, MB  
Bid Opportunity No. 931-2007

**SHEET TITLE**  
**ENTRANCE CANOPY DETAILS**

DRAWN BY	SCALE	SHEET NUMBER
IP	AS NOTED	<b>A-11.2</b>
CHECKED BY	DATE	
PROJECT NUMBER	REVISION	
06-017	0	