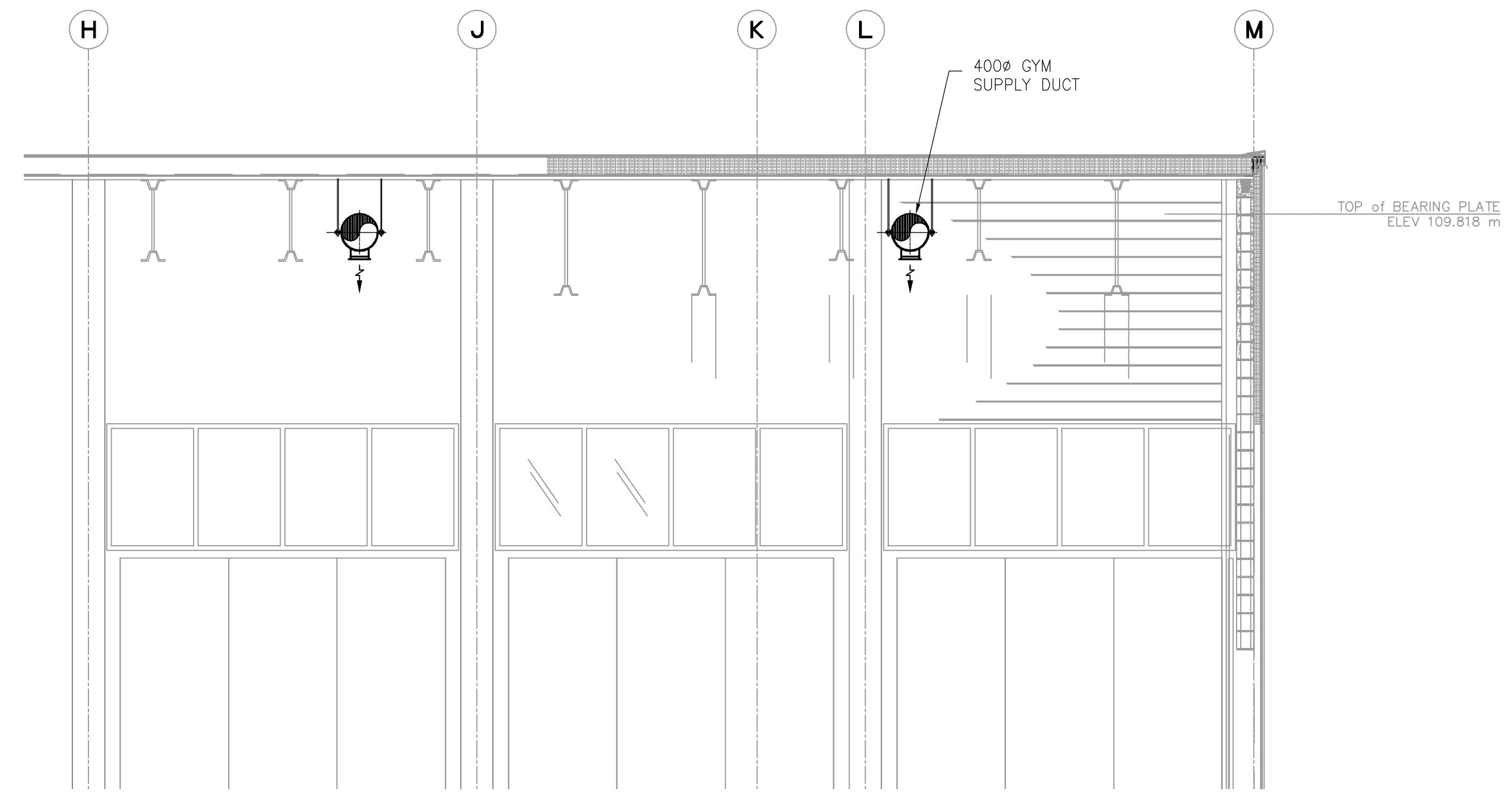
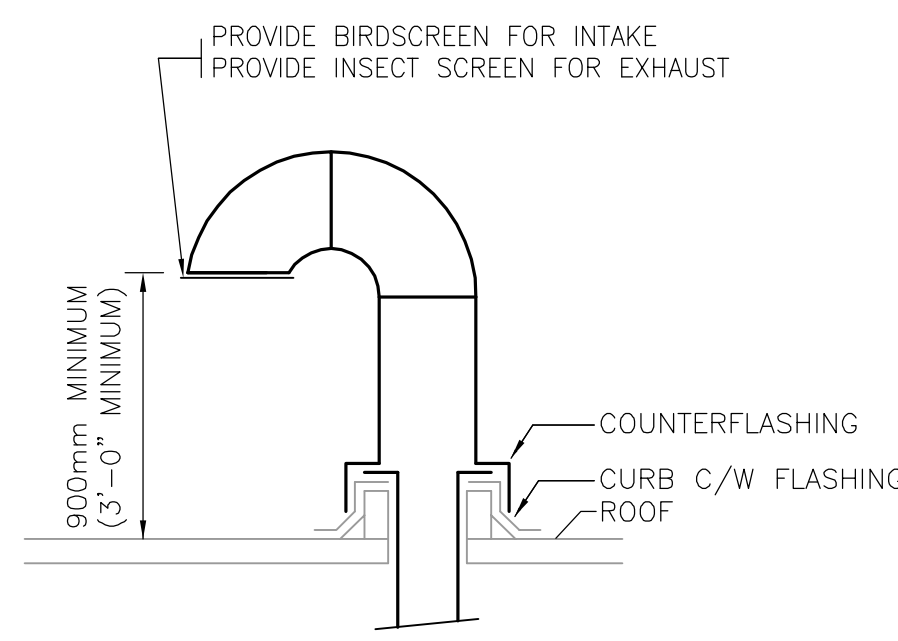


GYMNASIUM FURNACE DUCT SCHEMATIC
SCALE: N.T.S.



SECTION THROUGH GYMNASIUM
SCALE: 1:50



ROOF GOOSENECK DETAIL
SCALE: N.T.S.

| NO. | REVISION | DATE | BY |
|-----|------------------------------|----------------|------|
| 3 | REISSUED FOR BID OPPORTUNITY | APRIL 04, 2008 | MH |
| 2 | ISSUED FOR BID OPPORTUNITY | MARCH 6, 2008 | MH |
| 1 | ISSUED FOR 90% REVIEW | FEB. 12, 2008 | M.H. |
| 0 | ISSUED FOR 50% REVIEW | DEC. 5, 2007 | M.H. |

THIS DRAWING IS THE EXCLUSIVE PROPERTY OF THE ARCHITECT AND CAN BE REPRODUCED ONLY WITH THE PERMISSION OF THE ARCHITECT IN WHICH CASE THE REPRODUCTION MUST BEAR THE NAME OF THE ARCHITECT.

THIS DRAWING SHALL NOT BE SCALED. FOLLOW GIVEN DIMENSIONS ONLY.

THE CONTRACTOR SHALL SATISFY HIMSELF THAT ALL DIMENSIONS AND INFORMATION SHOWN ARE CORRECT.

PRIOR TO COMMENCEMENT OF WORK REPORT ANY DISCREPANCIES TO THE ARCHITECT.

VARIATIONS AND MODIFICATIONS TO WORK SHOWN WILL NOT BE ALLOWED WITHOUT WRITTEN PERMISSION OF THE ARCHITECT.

CONSULTANT: TOWER PROJECT NO. : 6174

TOWER ENGINEERING GROUP
TOWER ENGINEERING GROUP INC.
 208 - 887 CORYDON AVE. WINNIPEG, MB R3M 0W7
 TEL: (204) 925-1150 FAX: (204) 925-1155
 EMAIL: towereng@towereng.ca WEB: www.towereng.ca

SEAL: **APEGM**
 Certificate of Authorization
 Tower Engineering Group
 No. 1918 Expiry: April 30, 2008

ORIGINAL STAMPED BY:
 MIKE HOUVARDAS, P.ENG
 DATE: 04-04-08

CALNITSKY ASSOCIATES ARCHITECTS

ARCHITECTURE
 124 Nassau Street North
 Tel: (204) 453-6441
 E-mail: caa@escape.ca

INTERIOR DESIGN
 Winnipeg, Manitoba R3L 2H1
 Fax: (204) 453-3392

PROJECT TITLE
NORBERRY-GLENLEE COMMUNITY CENTRE EXPANSION
 26 MOLGAT AVENUE
 WINNIPEG, MB

SHEET TITLE
MECHANICAL DETAILS

| DRAWN BY | SCALE | SHEET NUMBER |
|----------------|-----------|--------------|
| FS | AS SHOWN | M-4.C |
| CHECKED BY | DATE | |
| MH | NOV. 2007 | |
| PROJECT NUMBER | REVISION | |
| 08-017 | | |