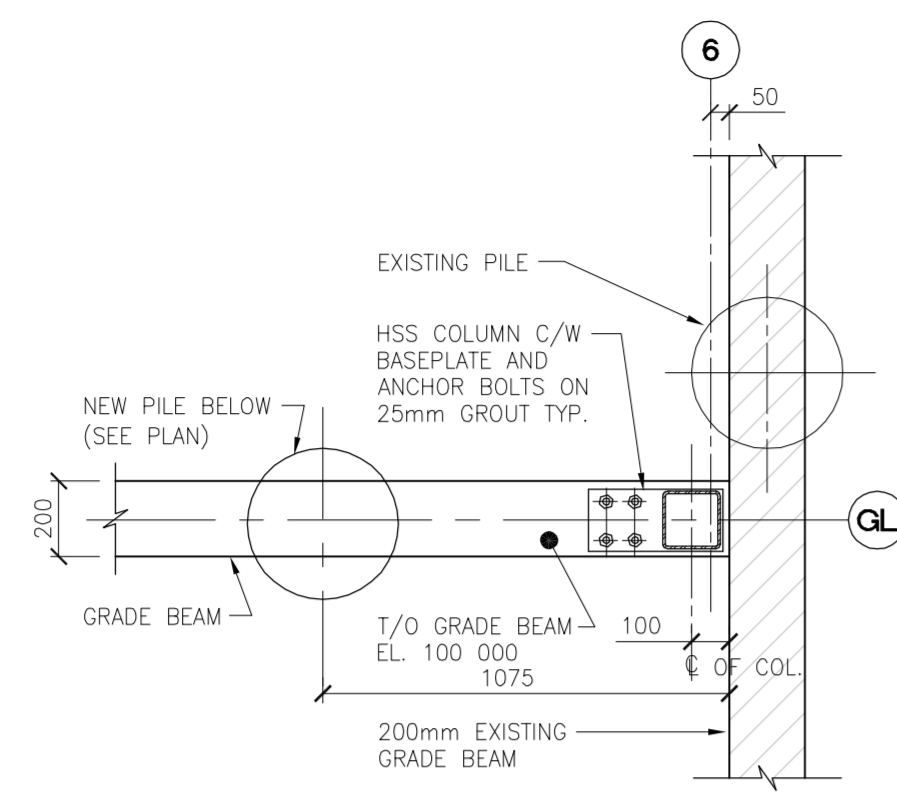
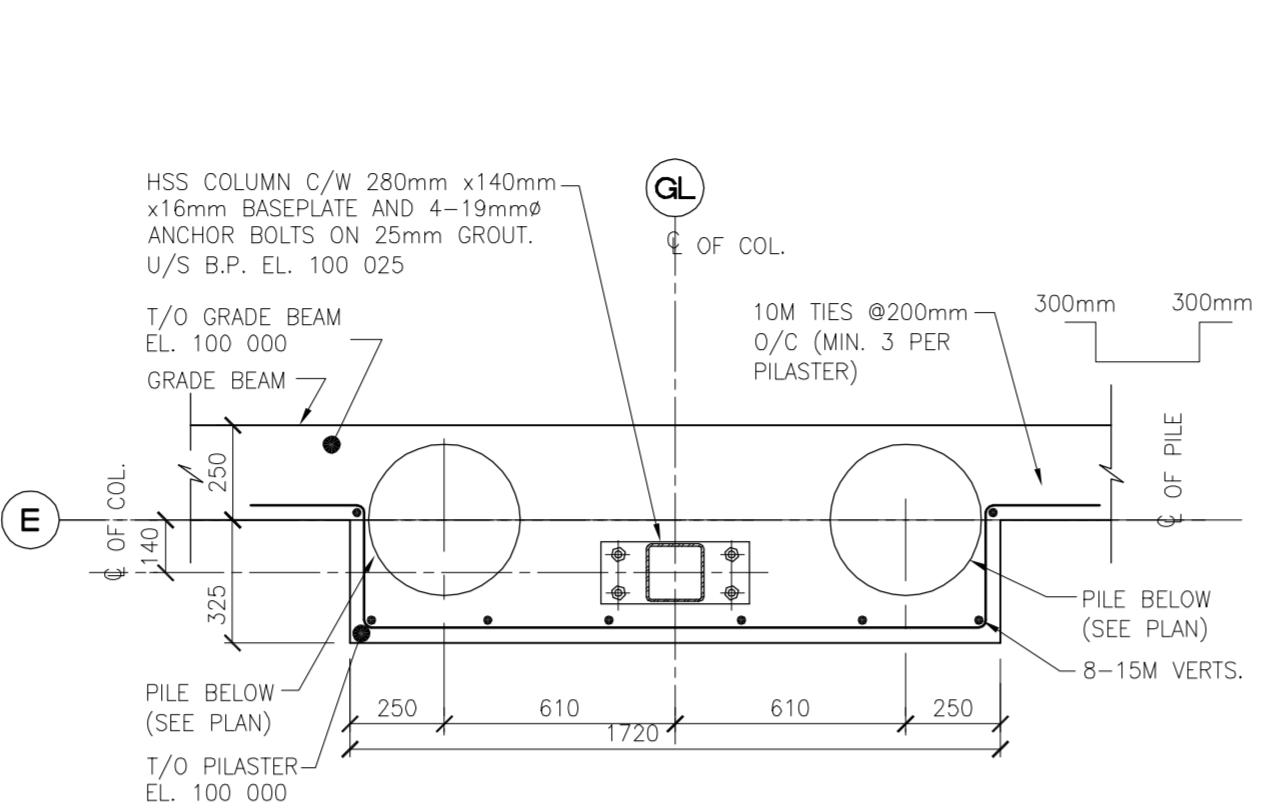


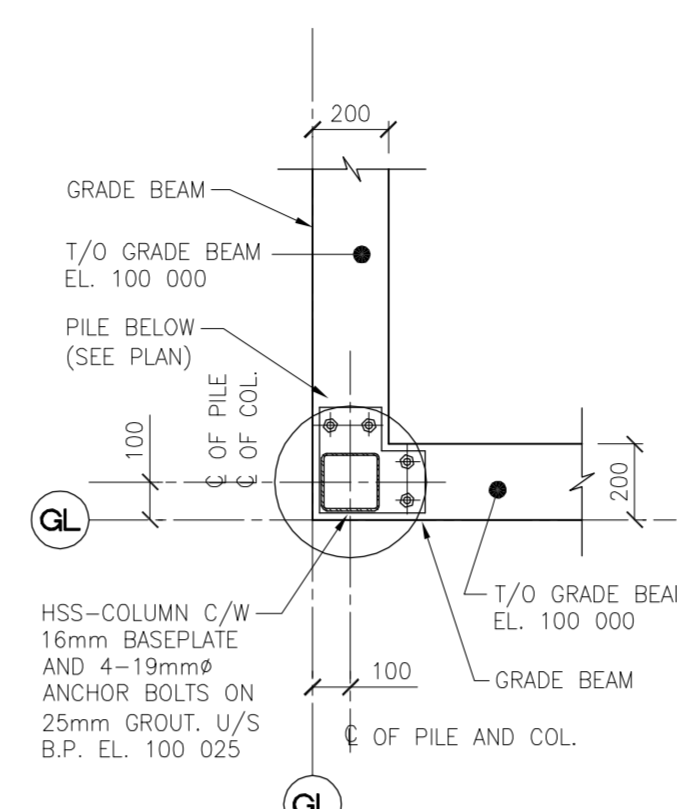
A PLAN DETAIL 'A'
S-3.0 SCALE: 120



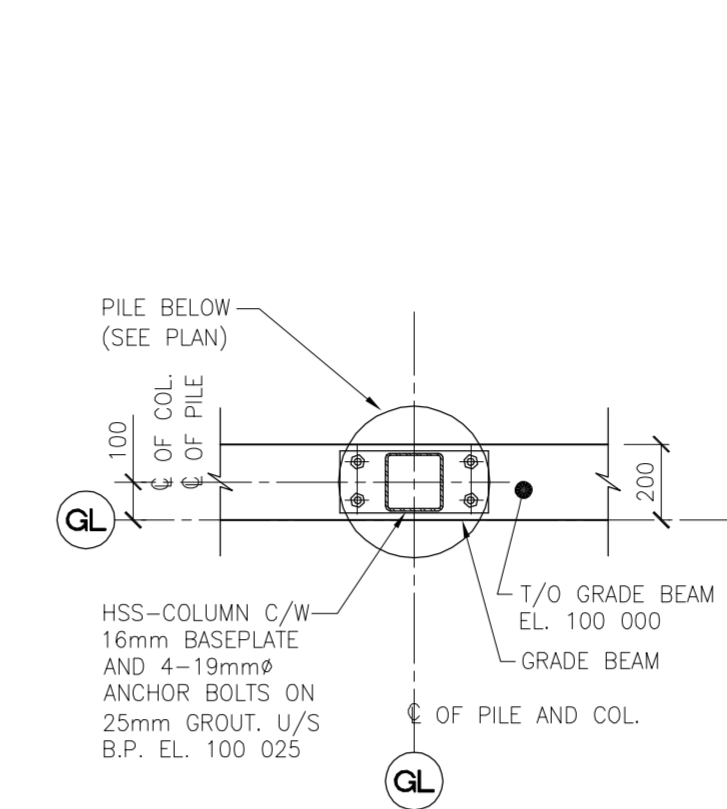
B PLAN DETAIL 'B'
S-3.0 SCALE: 120



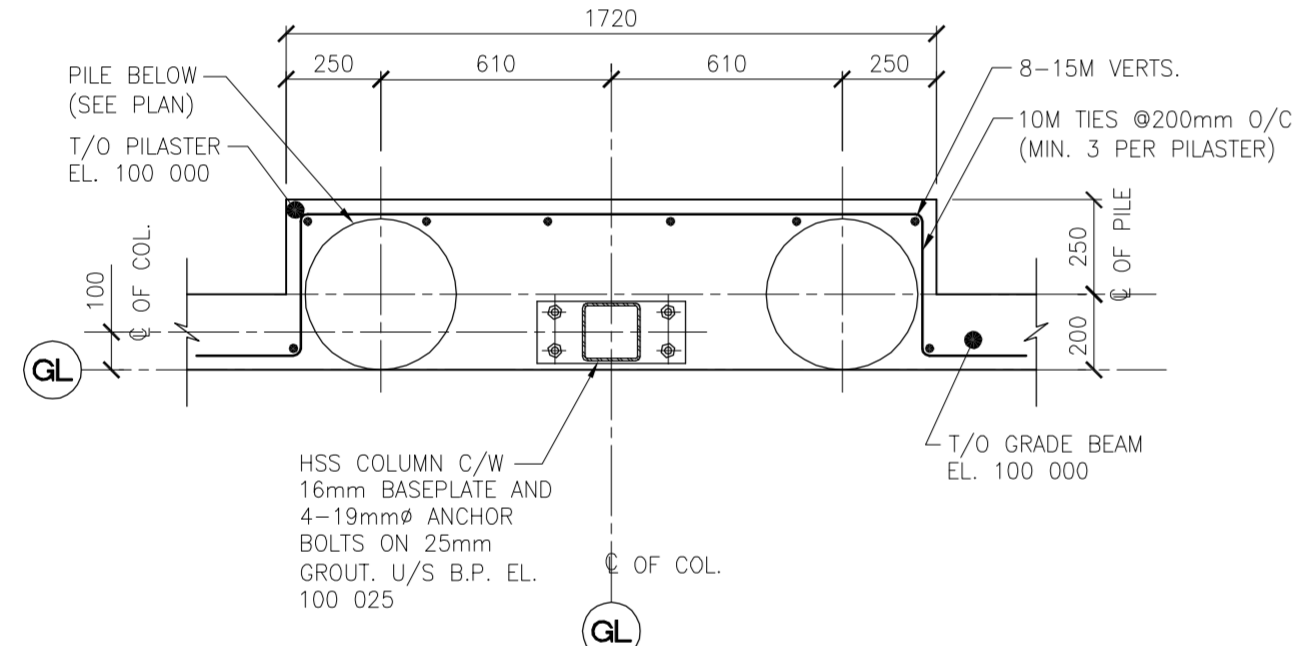
C PLAN DETAIL 'C'
S-3.0 SCALE: 120



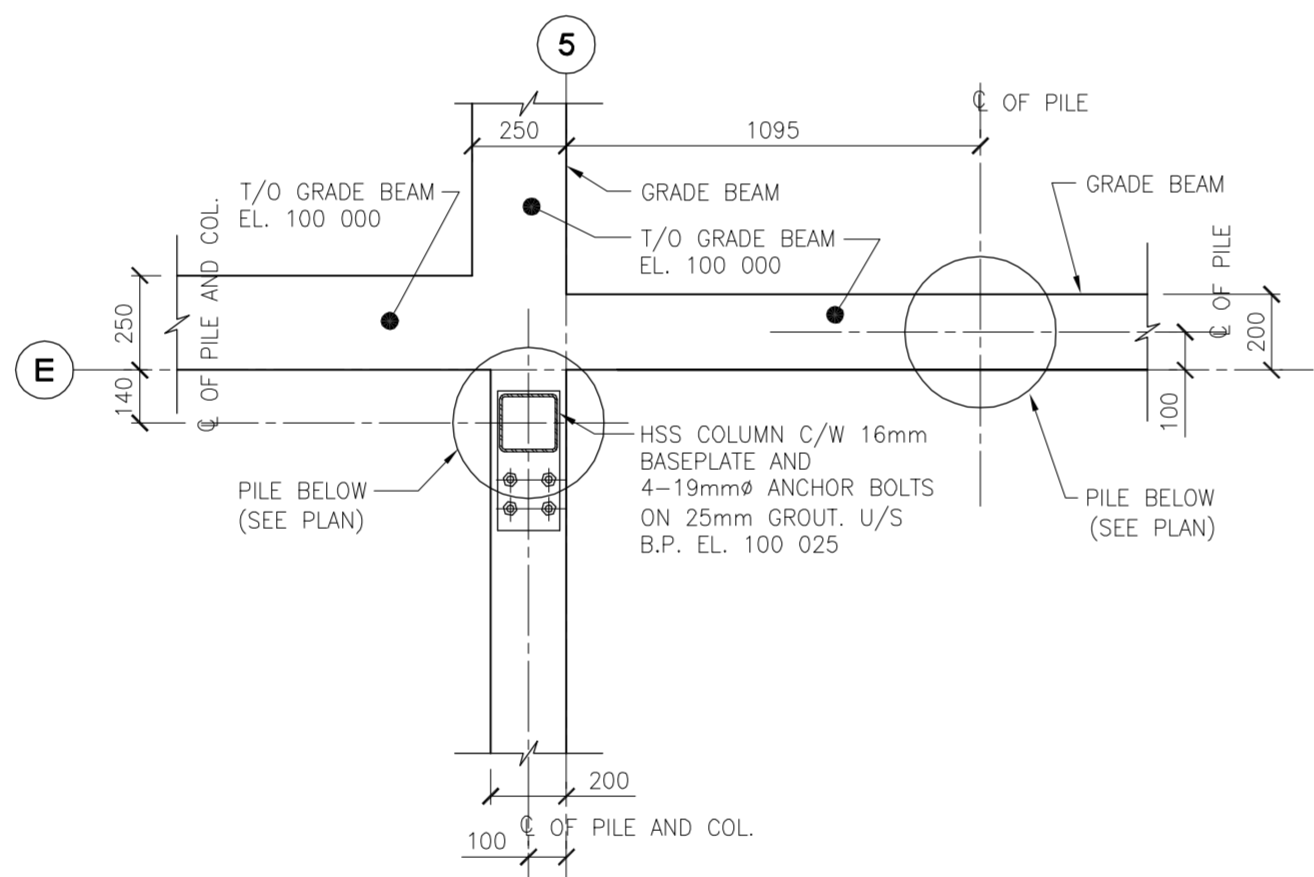
D PLAN DETAIL 'D'
S-3.0 SCALE: 120



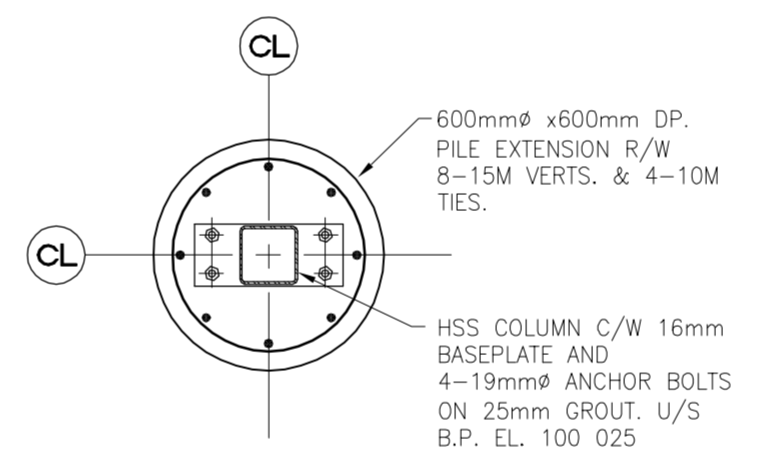
E PLAN DETAIL 'E'
S-3.0 SCALE: 120



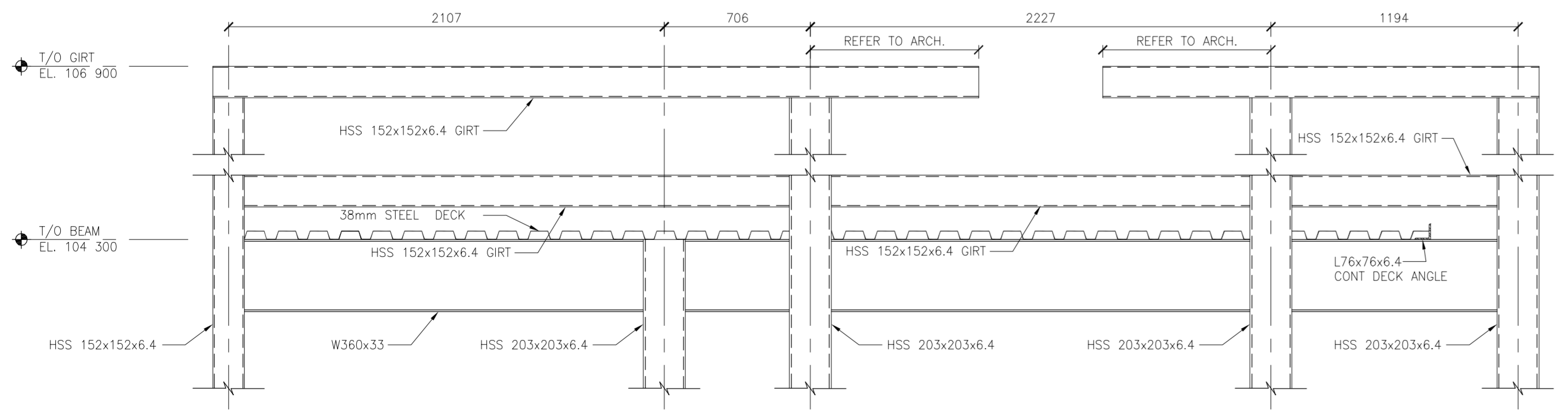
F PLAN DETAIL 'F'
S-3.0 SCALE: 120



G PLAN DETAIL 'G'
S-3.0 SCALE: 120



H PLAN DETAIL 'H'
S-3.0 SCALE: 120



1 SECTION
S-3.0 SCALE: 120

NO.	REVISION	DATE	BY
3	ISSUED FOR BID OPPORTUNITY	03/27/08	NM
2	ISSUED FOR 99% REVIEW	02/12/08	NM
1	ISSUED FOR 50% REVIEW	12/05/07	NM

THIS DRAWING IS THE EXCLUSIVE PROPERTY OF THE ARCHITECT AND CAN BE REPRODUCED ONLY WITH THE PERMISSION OF THE ARCHITECT IN WHICH CASE THE REPRODUCTION MUST BEAR THE NAME OF THE ARCHITECT.

THIS DRAWING SHALL NOT BE SCALED. FOLLOW GIVEN DIMENSIONS ONLY.

THE CONTRACTOR SHALL SATISFY HIMSELF THAT ALL DIMENSIONS AND INFORMATION SHOWN ARE CORRECT.

PRIOR TO COMMENCEMENT OF WORK REPORT ANY DISCREPANCIES TO THE ARCHITECT.

VARIATIONS AND MODIFICATIONS TO WORK SHOWN WILL NOT BE ALLOWED WITHOUT WRITTEN PERMISSION OF THE ARCHITECT.

CONSULTANT
TOWER ENGINEERING GROUP
TOWER PROJECT NO. : 6174
TOWER ENGINEERING GROUP INC.
208 - 887 CORYDON AVE. WINNIPEG, MB R3M 0W7
TEL: (204) 925-1150 FAX: (204) 925-1155
EMAIL: towereng@towereng.ca WEB: www.towereng.ca

ORIGINAL STAMPED BY:
NESTOR MARTINEZ, P.ENG
DATE: 03.27.08

APEGN
Certificate of Authorization
Tower Engineering Group
No. 1918 Expiry: April 30, 2008

CALNITSKY ASSOCIATES ARCHITECTS

ARCHITECTURE
124 Nassau Street North
Tel: (204) 453-6441

INTERIOR DESIGN
Winnipeg, Manitoba R3L 2H1
Fax: (204) 453-3392
E-mail: caa@escape.ca

PROJECT TITLE
NORBERY-GLENLEE COMMUNITY CENTRE EXPANSION
26 MOLGAT AVENUE
WINNIPEG, MB

SHEET TITLE
PLAN DETAILS AND FOUNDATION SECTIONS

DRAWN BY	SCALE	SHEET NUMBER
SM	AS SHOWN	S-3.0
CHECKED BY	DATE	
NM	03/27/08	
PROJECT NUMBER	REVISION	
06-017	R3	